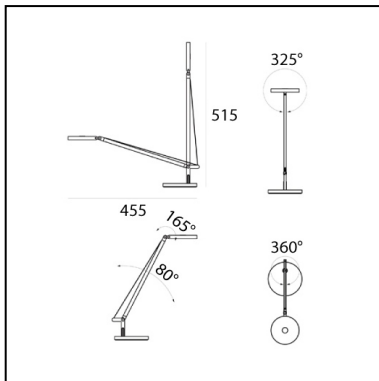


# Demetra Micro Table - 2700K - Anthracite Grey

Naoto Fukasawa



IP20   CE Dimmerable: 



## LUMINAIRE

- Watt: **6W**
- Voltage: **100-240V**
- Delivered lumen output: **241lm**
- CCT: **2700K**
- Efficiency: **49%**
- Efficacy: **40.17lm/W**
- CRI: **90**
- Dimmer Typology: **Microswitch Dimmer**

## DESCRIPTION

Demetra is essential, functional and timeless. In keeping with Naoto Fukasawa's "Without Thought" approach, it is "natural" like a spontaneous expression of the harmonious relationship between the user, the object and the environment. Perfect for reading, its light can set different moods and follow the flow of our activities, at home or work, thanks also to the possibility of incorporating a motion sensor which manages the device lighting according to the proximity of the user.

## FEATURES

- Product Code: **1747W10A**
- Colour: **Anthracite grey**
- Installation: **Table**
- Material: **aluminium, technopolymer, zamak**
- Series: **Design Collection**
- Environment: **Indoor**
- Emission: **Direct**
- design by: **Naoto Fukasawa**

## DIMENSIONS

- Length: **130 mm**
- Width: **120 mm**
- Height: **140 mm**
- Diameter: **100 mm**
- Base Diameter: **120 mm**
- Max Extension Height: **510 mm**
- Max Extension Length: **480 mm**
- Glow Wire Test: **750°**

## SOURCES INCLUDED

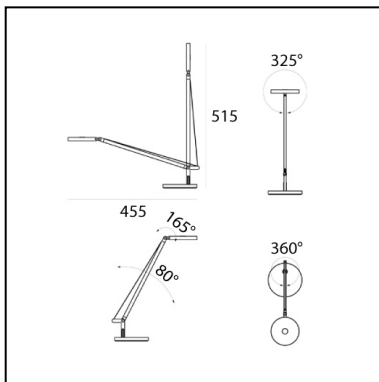
- Category: **Led**
- Number: **1**
- Watt: **6W**
- Delivered lumen output: **730lm**
- Color temperature (K): **2700K**
- CRI: **90**
- Color Tolerance: **MacAdam 2SDCM**

# Demetra Micro Table - 2700K - White

Naoto Fukasawa



IP20    Dimmerable: 



## LUMINAIRE

- Watt: **6W**
- Voltage: **100-240V**
- Delivered lumen output: **241lm**
- CCT: **2700K**
- Efficiency: **49%**
- Efficacy: **40.17lm/W**
- CRI: **90**
- Dimmer Typology: **Microswitch Dimmer**

## DESCRIPTION

Demetra is essential, functional and timeless. In keeping with Naoto Fukasawa's "Without Thought" approach, it is "natural" like a spontaneous expression of the harmonious relationship between the user, the object and the environment. Perfect for reading, its light can set different moods and follow the flow of our activities, at home or work, thanks also to the possibility of incorporating a motion sensor which manages the device lighting according to the proximity of the user.

## FEATURES

- Product Code: **1747W20A**
- Colour: **White**
- Installation: **Table**
- Material: **aluminium, technopolymer, zamak**
- Series: **Design Collection**
- Environment: **Indoor**
- Emission: **Direct**
- design by: **Naoto Fukasawa**

## DIMENSIONS

- Length: **130 mm**
- Width: **120 mm**
- Height: **140 mm**
- Diameter: **100 mm**
- Base Diameter: **120 mm**
- Max Extension Height: **510 mm**
- Max Extension Length: **480 mm**
- Glow Wire Test: **750°**

## SOURCES INCLUDED

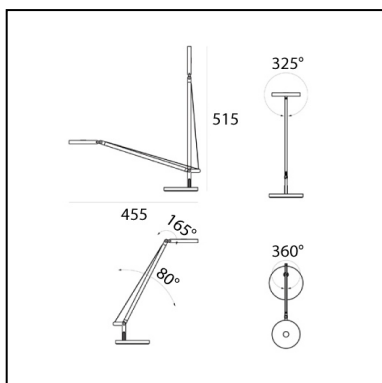
- Category: **Led**
- Number: **1**
- Watt: **6W**
- Delivered lumen output: **730lm**
- Color temperature (K): **2700K**
- CRI: **90**
- Color Tolerance: **MacAdam 2SDCM**

# Demetra Micro Table - 2700K - Opaque Black

Naoto Fukasawa



IP20   Dimmerable: 



## LUMINAIRE

- Watt: **6W**
- Voltage: **100-240V**
- Delivered lumen output: **241lm**
- CCT: **2700K**
- Efficiency: **49%**
- Efficacy: **40.17lm/W**
- CRI: **90**
- Dimmer Typology: **Microswitch Dimmer**

## DESCRIPTION

Demetra is essential, functional and timeless. In keeping with Naoto Fukasawa's "Without Thought" approach, it is "natural" like a spontaneous expression of the harmonious relationship between the user, the object and the environment. Perfect for reading, its light can set different moods and follow the flow of our activities, at home or work, thanks also to the possibility of incorporating a motion sensor which manages the device lighting according to the proximity of the user.

## FEATURES

- Product Code: **1747W50A**
- Colour: **Opaque Black**
- Installation: **Table**
- Material: **aluminium, technopolymer, zamak**
- Series: **Design Collection**
- Environment: **Indoor**
- Emission: **Direct**
- design by: **Naoto Fukasawa**

## DIMENSIONS

- Length: **130 mm**
- Width: **120 mm**
- Height: **140 mm**
- Diameter: **100 mm**
- Base Diameter: **120 mm**
- Max Extension Height: **510 mm**
- Max Extension Length: **480 mm**
- Glow Wire Test: **750°**

## SOURCES INCLUDED

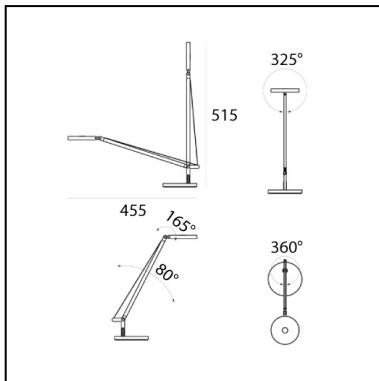
- Category: **Led**
- Number: **1**
- Watt: **6W**
- Delivered lumen output: **730lm**
- Color temperature (K): **2700K**
- CRI: **90**
- Color Tolerance: **MacAdam 2SDCM**

# Demetra Micro Table - 3000K - Anthracite Grey

Naoto Fukasawa



IP20   CE Dimmerable: 



## LUMINAIRE

- Watt: **6W**
- Voltage: **100-240V**
- Delivered lumen output: **257lm**
- CCT: **3000K**
- Efficiency: **49%**
- Efficacy: **42.82lm/W**
- CRI: **90**
- Dimmer Typology: **Microswitch Dimmer**

## DESCRIPTION

Demetra is essential, functional and timeless. In keeping with Naoto Fukasawa's "Without Thought" approach, it is "natural" like a spontaneous expression of the harmonious relationship between the user, the object and the environment. Perfect for reading, its light can set different moods and follow the flow of our activities, at home or work, thanks also to the possibility of incorporating a motion sensor which manages the device lighting according to the proximity of the user.

## FEATURES

- Product Code: **1747010A**
- Colour: **Anthracite grey**
- Installation: **Table**
- Material: **aluminium, technopolymer, zamak**
- Series: **Design Collection**
- Environment: **Indoor**
- Emission: **Direct**
- design by: **Naoto Fukasawa**

## DIMENSIONS

- Length: **130 mm**
- Width: **120 mm**
- Height: **140 mm**
- Diameter: **100 mm**
- Base Diameter: **120 mm**
- Max Extension Height: **510 mm**
- Max Extension Length: **480 mm**
- Glow Wire Test: **750°**

## SOURCES INCLUDED

- Category: **Led**
- Number: **1**
- Watt: **6W**
- Delivered lumen output: **780lm**
- Color temperature (K): **3000K**
- CRI: **90**
- Color Tolerance: **MacAdam 2SDCM**

# Demetra Micro Table - 3000K - White

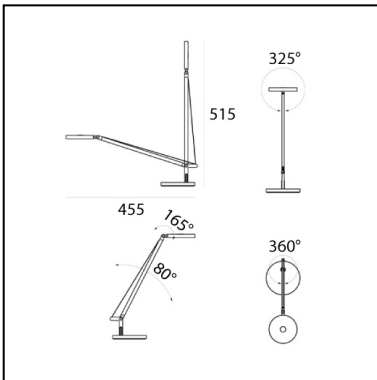
Naoto Fukasawa



## DESCRIPTION

Demetra is essential, functional and timeless. In keeping with Naoto Fukasawa's "Without Thought" approach, it is "natural" like a spontaneous expression of the harmonious relationship between the user, the object and the environment. Perfect for reading, its light can set different moods and follow the flow of our activities, at home or work, thanks also to the possibility of incorporating a motion sensor which manages the device lighting according to the proximity of the user.

IP20    Dimmerable: 



## LUMINAIRE

- Watt: **6W**
- Voltage: **100-240V**
- Delivered lumen output: **257lm**
- CCT: **3000K**
- Efficiency: **49%**
- Efficacy: **42.82lm/W**
- CRI: **90**
- Dimmer Typology: **Microswitch Dimmer**

## FEATURES

- Product Code: **1747020A**
- Colour: **White**
- Installation: **Table**
- Material: **aluminium, technopolymer, zamak**
- Series: **Design Collection**
- Environment: **Indoor**
- Emission: **Direct**
- design by: **Naoto Fukasawa**

## DIMENSIONS

- Length: **130 mm**
- Width: **120 mm**
- Height: **140 mm**
- Diameter: **100 mm**
- Base Diameter: **120 mm**
- Max Extension Height: **510 mm**
- Max Extension Length: **480 mm**
- Glow Wire Test: **750°**

## SOURCES INCLUDED

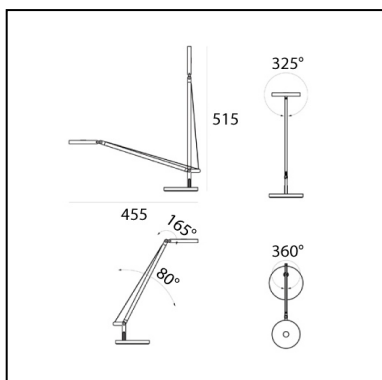
- Category: **Led**
- Number: **1**
- Watt: **6W**
- Delivered lumen output: **780lm**
- Color temperature (K): **3000K**
- CRI: **90**
- Color Tolerance: **MacAdam 2SDCM**

# Demetra Micro Table - 3000K - Opaque Black

Naoto Fukasawa



IP20    Dimmerable: 



## LUMINAIRE

- Watt: **6W**
- Voltage: **100-240V**
- Delivered lumen output: **257lm**
- CCT: **3000K**
- Efficiency: **49%**
- Efficacy: **42.82lm/W**
- CRI: **90**
- Dimmer Typology: **Microswitch Dimmer**

## DESCRIPTION

Demetra is essential, functional and timeless. In keeping with Naoto Fukasawa's "Without Thought" approach, it is "natural" like a spontaneous expression of the harmonious relationship between the user, the object and the environment. Perfect for reading, its light can set different moods and follow the flow of our activities, at home or work, thanks also to the possibility of incorporating a motion sensor which manages the device lighting according to the proximity of the user.

## FEATURES

- Product Code: **1747050A**
- Colour: **Opaque Black**
- Installation: **Table**
- Material: **aluminium, technopolymer, zamak**
- Series: **Design Collection**
- Environment: **Indoor**
- Emission: **Direct**
- design by: **Naoto Fukasawa**

## DIMENSIONS

- Length: **130 mm**
- Width: **120 mm**
- Height: **140 mm**
- Diameter: **100 mm**
- Base Diameter: **120 mm**
- Max Extension Height: **510 mm**
- Max Extension Length: **480 mm**
- Glow Wire Test: **750°**

## SOURCES INCLUDED

- Category: **Led**
- Number: **1**
- Watt: **6W**
- Delivered lumen output: **780lm**
- Color temperature (K): **3000K**
- CRI: **90**
- Color Tolerance: **MacAdam 2SDCM**