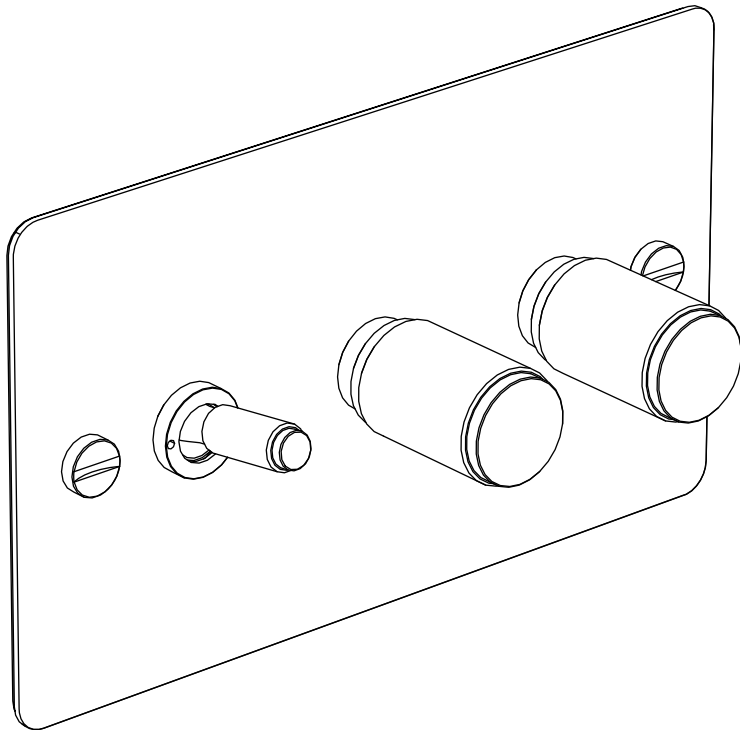


**UK ELECTRICITY
MODULAR ASSEMBLY**
PREPARATION AND INSTALLATION
INSTALLATION MANUAL



BUSTERANDPUNCH.COM/UK

EN

TECHNICAL SPECIFICATION

UK MODULAR ELECTRICITY
FOR USE IN UK REGION / 230-240V AC

IMPORTANT NOTES

MANUAL FOR COMPONENT ASSEMBLY AND INSTALLATION ONLY - FOR WIRING, SEE RELEVANT MODULE MANUAL.

READ BEFORE INSTALLATION

1. All wiring and installation must adhere to the latest local and national regulations.
2. We recommend that all products are installed by a competent and qualified Electrician.
3. Indoor use only. Not for use in wet/damp environments or in places which have condensing humidity.
4. To reduce the risk of discoloration or tarnishing, avoid installation on wet plaster.

WARRANTY INFORMATION

The warranty period extends two (2) years from the date of the original purchase.

RECYCLING ELECTRICAL PRODUCTS

Buster and Punch encourages all its customers to make note of this symbol and avoid putting any waste electrical goods in your domestic waste bin or container. Please ensure you take your waste electrical goods to a suitable facility for disposal.



**BEFORE COMMENCING WORK, ISOLATE THE MAINS
POWER SUPPLY AT CIRCUIT BREAKER.**

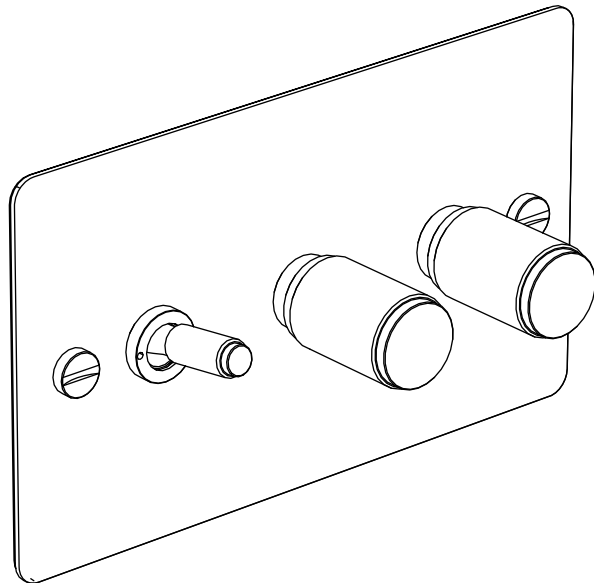
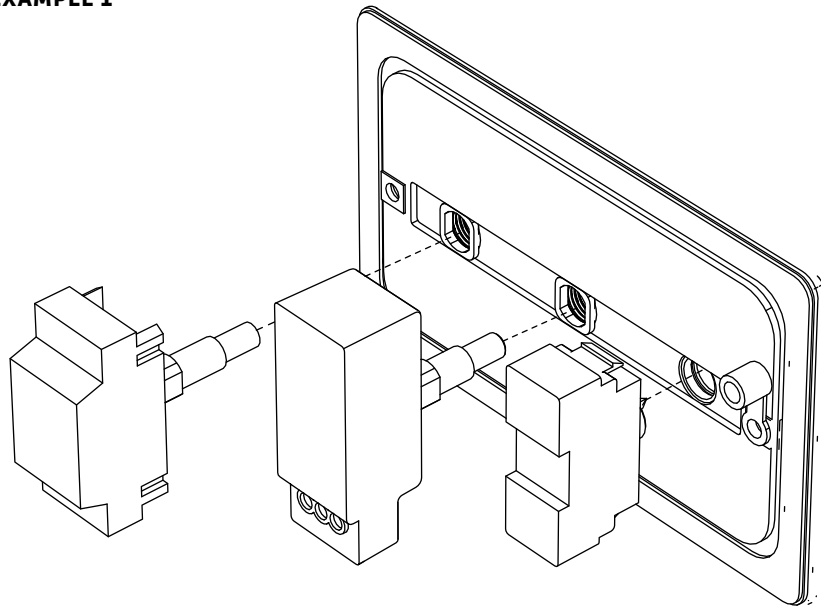


CAUTION:
Verify power supply is OFF before proceeding.

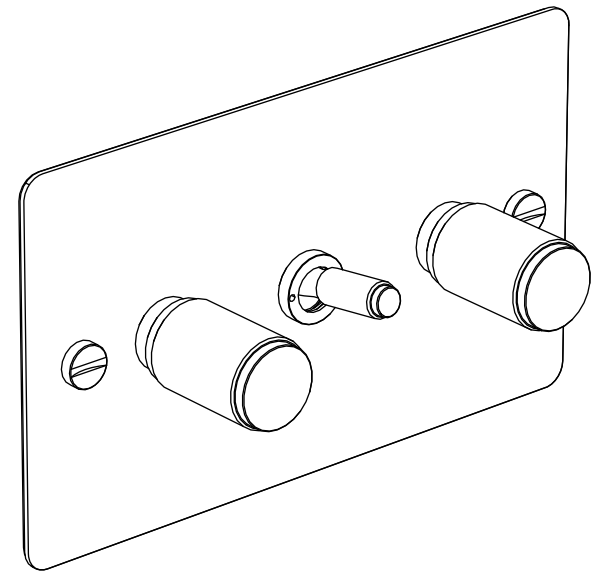
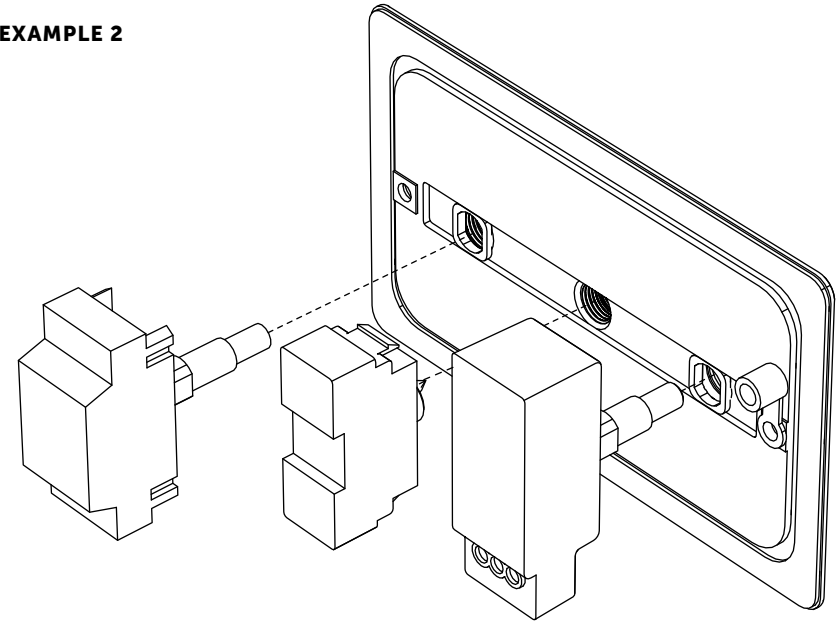


NOTE - make sure to install anti-rotation adapter on dimmer modules to stop the module working loose over time (part included with dimmer modules)

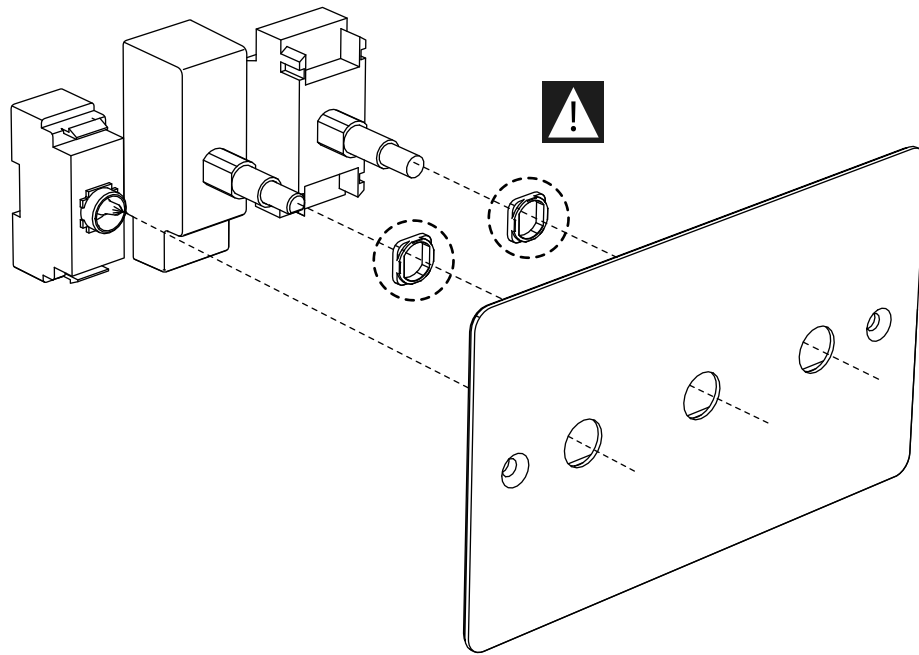
EXAMPLE 1



EXAMPLE 2



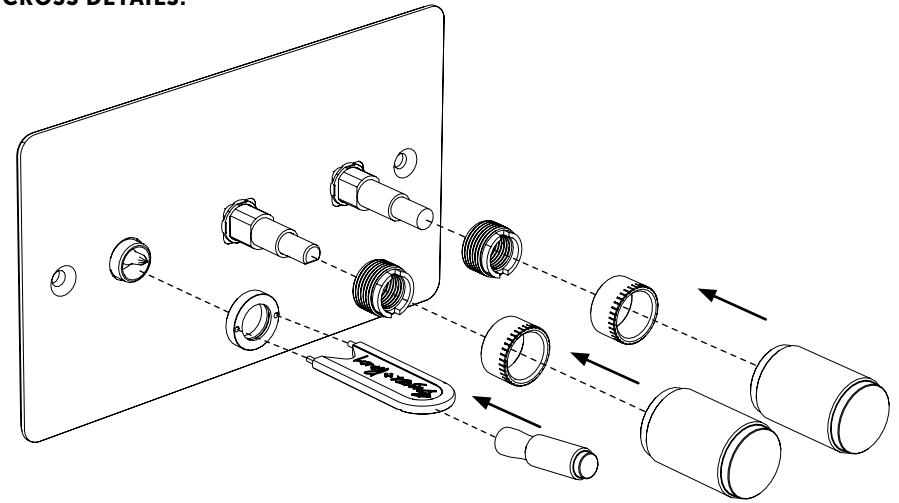
1 INSERT ELECTRICITY MODULES IN DESIRED CONFIGURATION



NOTE - make sure to install anti-rotation adapter on dimmer modules to stop the module working loose over time (part included with dimmer modules)

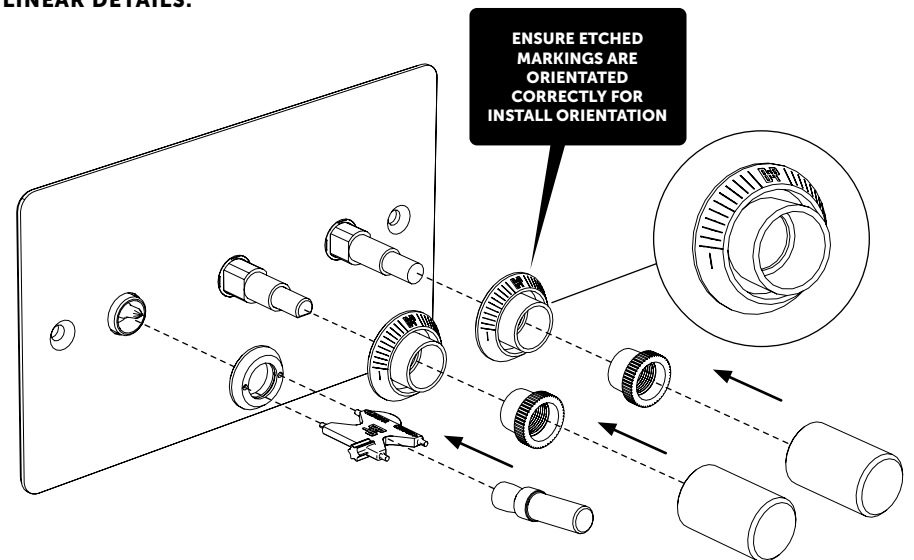
2 ATTACH DETAIL KITS USING TOOLS PROVIDED

CROSS DETAILS:



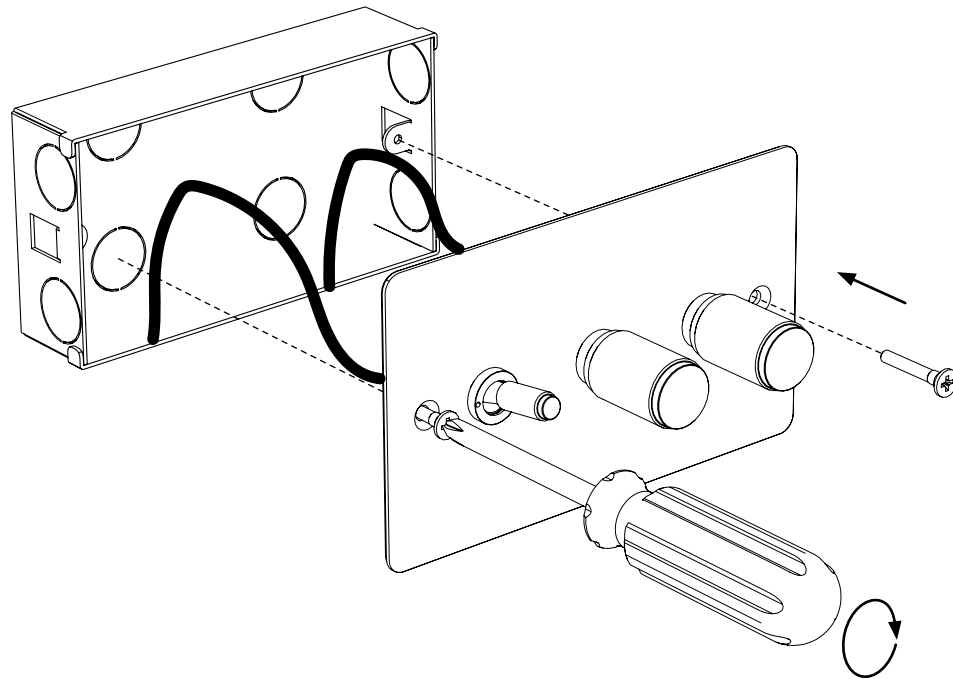
NOTE - When tightening threaded parts be careful not to cross thread. We recommend pushing and rotating the part, with the tool provided, anticlockwise until you feel a click, then tighten clockwise finger tight.

LINEAR DETAILS:



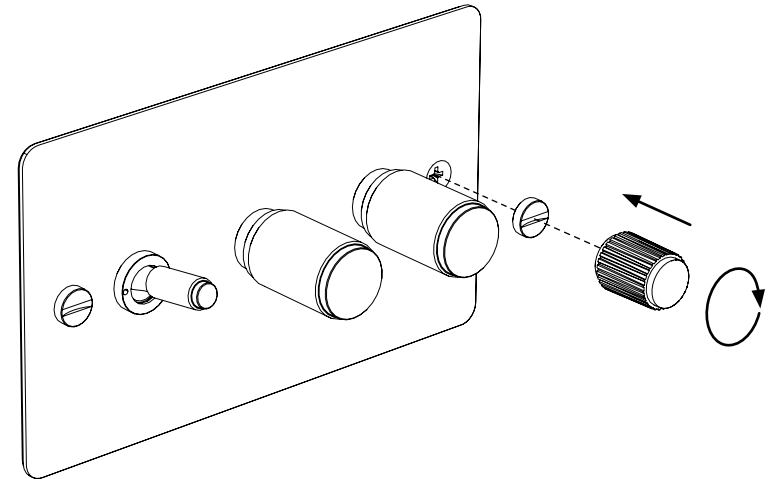
3 CONNECT WIRING USING RELEVANT MODULE INSTRUCTION MANUAL AND WIRING DIAGRAMS.

Push the assembled unit into the wall, making sure that no wire becomes trapped.
Use a cross head screwdriver to fit the unit to the mounting box/ bracket using the supplied fixing screws.
Buster and Punch plates are designed to fit standard mounting boxes and plaster clip brackets.

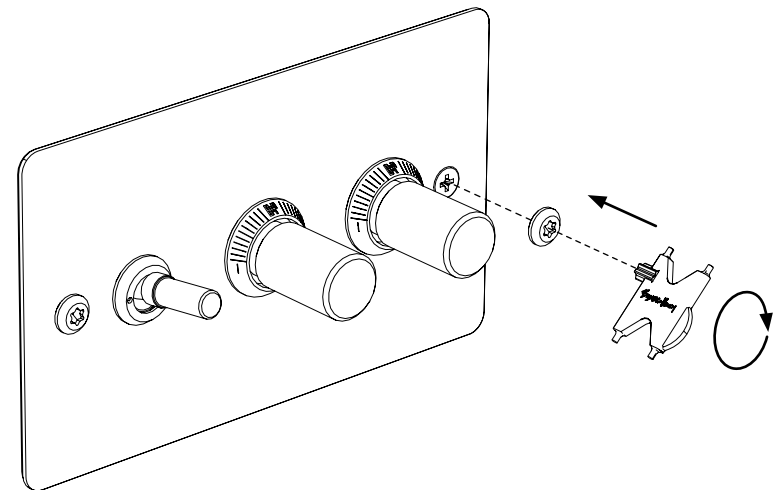


4 FIT SCREW CAPS TO COUNTERSUNK SCREWS USING THE TOOL PROVIDED

CROSS DETAILS:

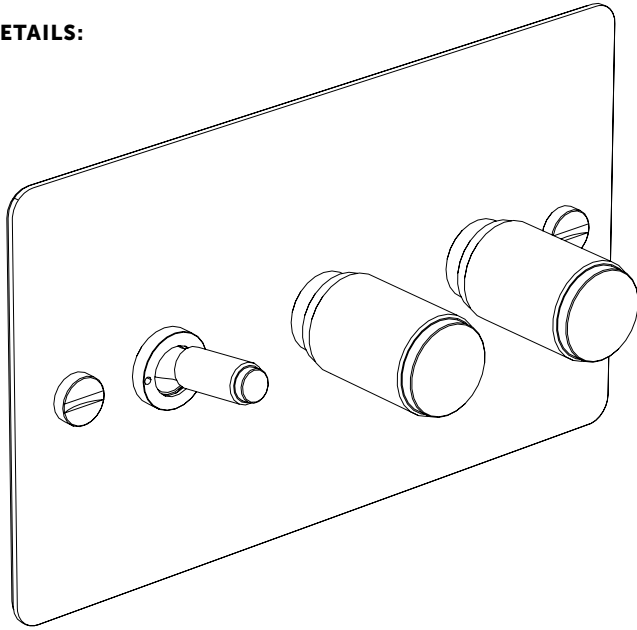


LINEAR DETAILS:

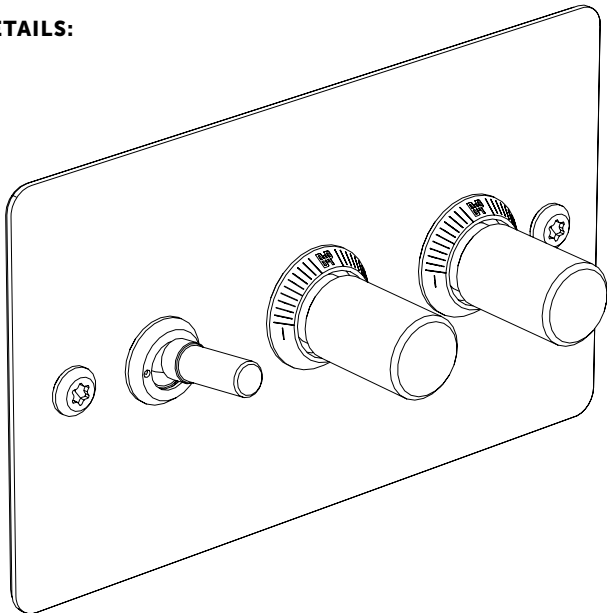


CAUTION: Verify power supply is OFF before proceeding

CROSS DETAILS:



LINEAR DETAILS:



5 ONCE SAFELY FITTED, RECONNECT THE MAINS SUPPLY AT THE CIRCUIT BREAKER.

