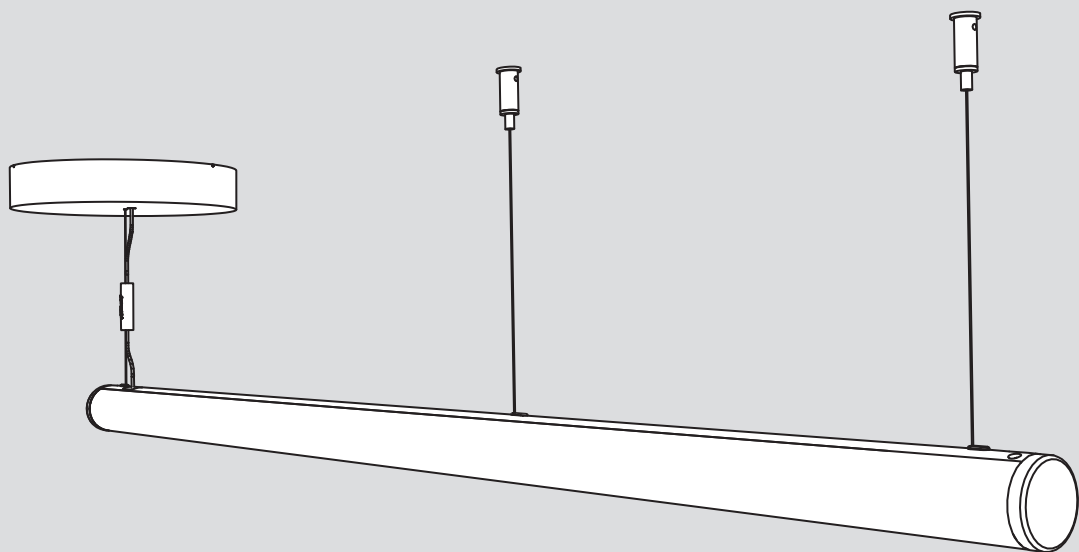


Artemide®

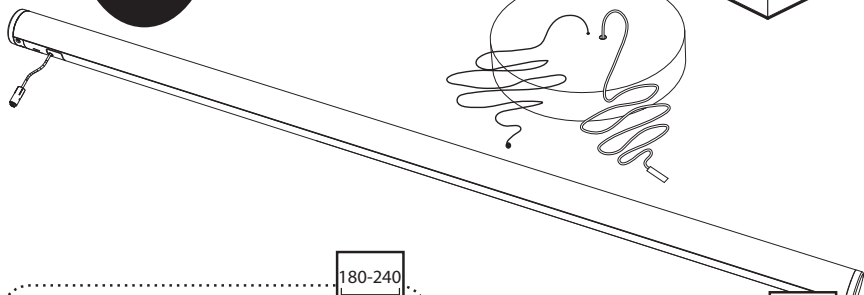
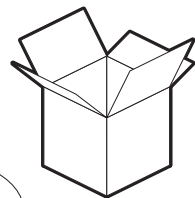
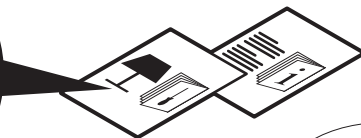
Alphabet of Light Linear 120/180/240

design
BIG





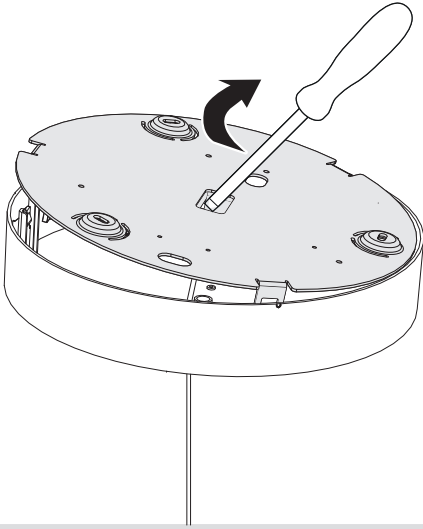
i



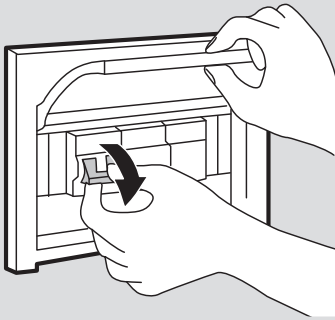
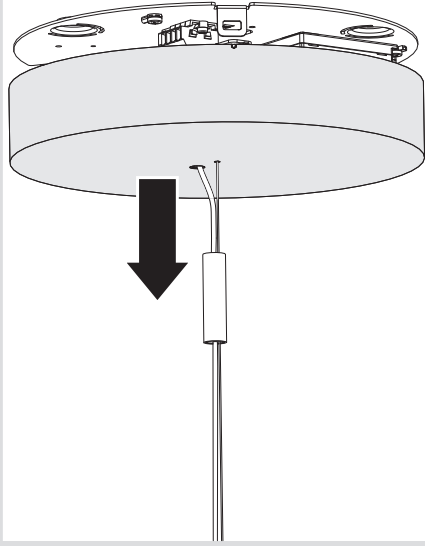
180-240

120

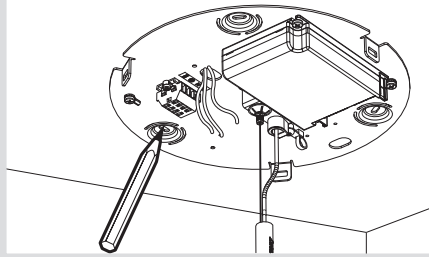
1



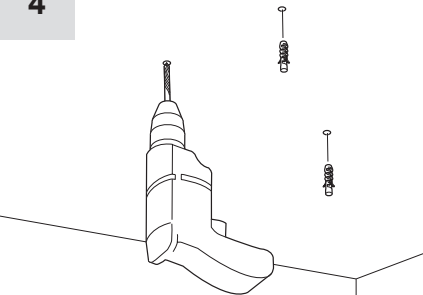
2



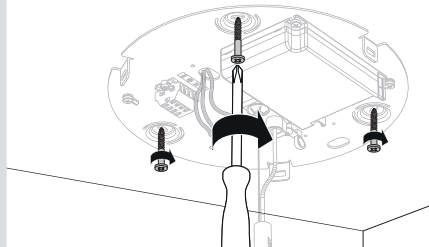
3



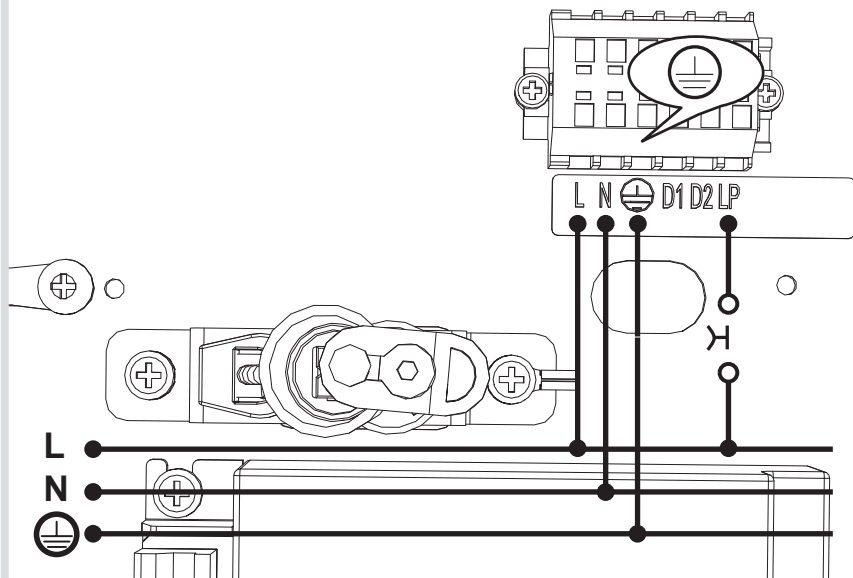
4



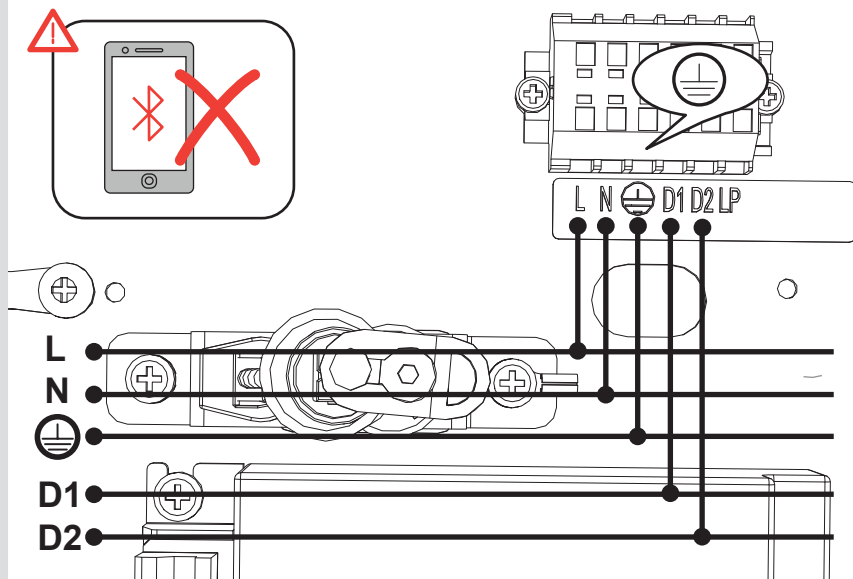
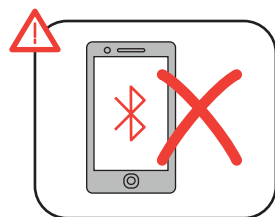
5



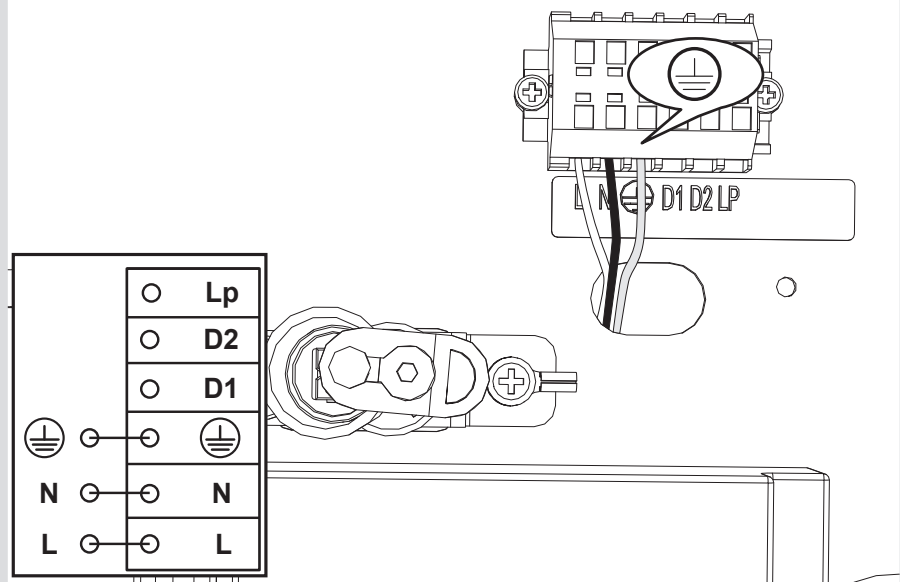
6a



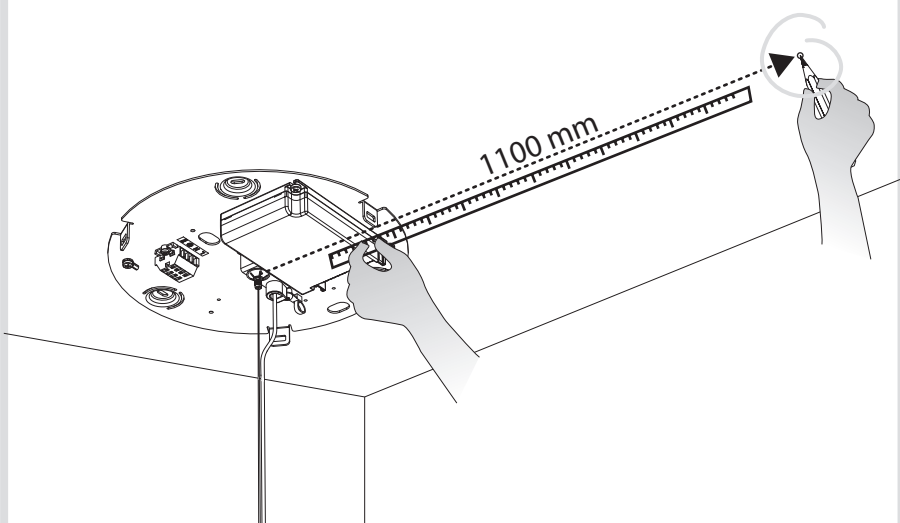
6b



6c

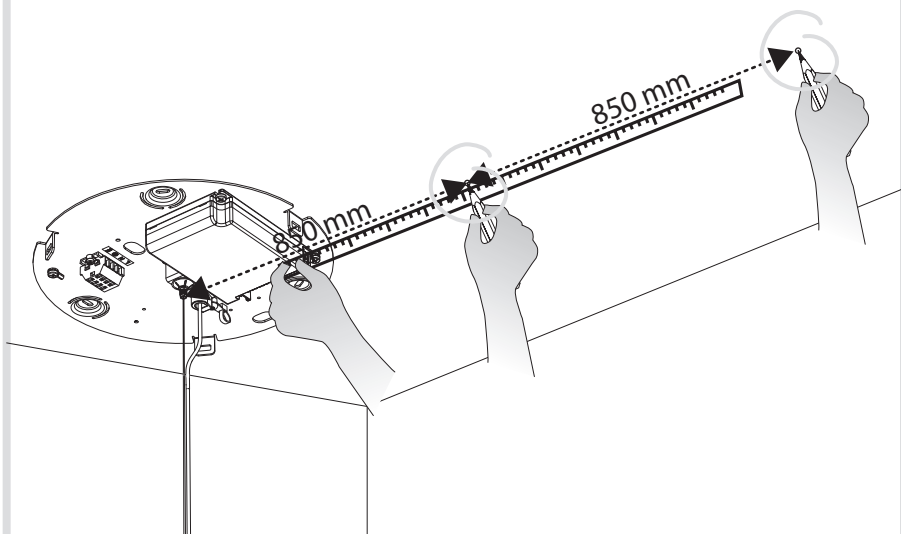


7a



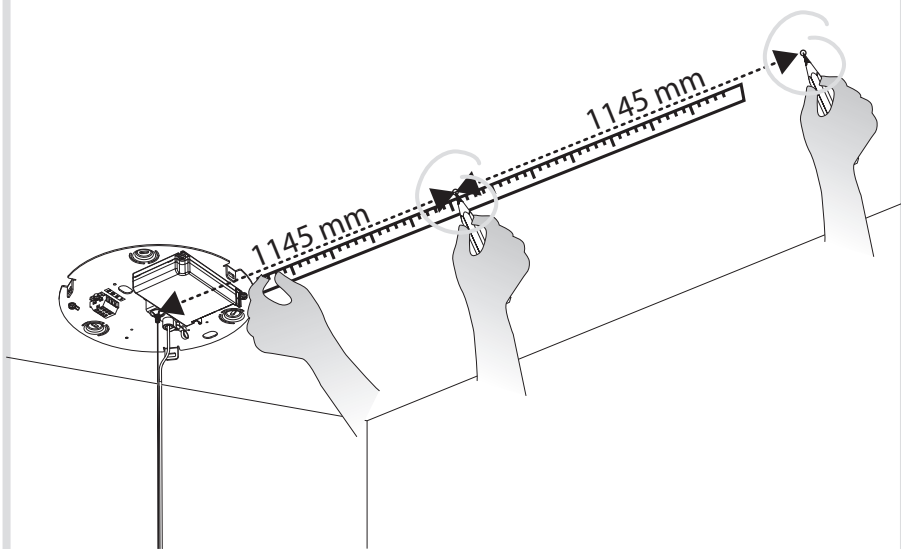
7b

180

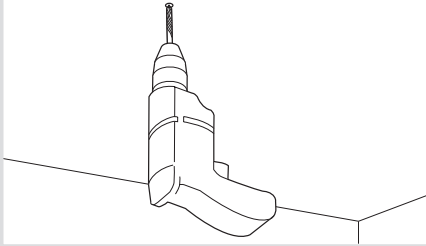


7c

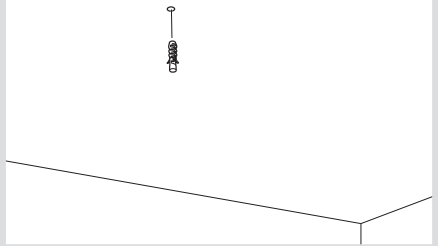
240



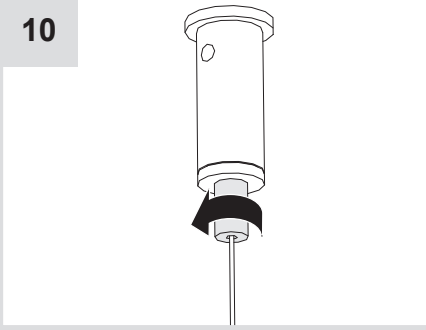
8



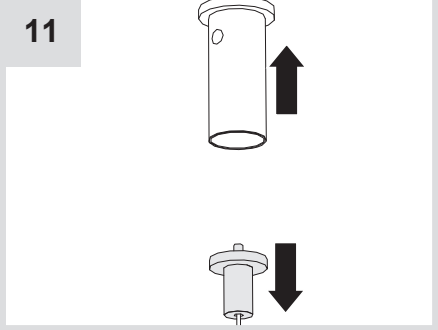
9



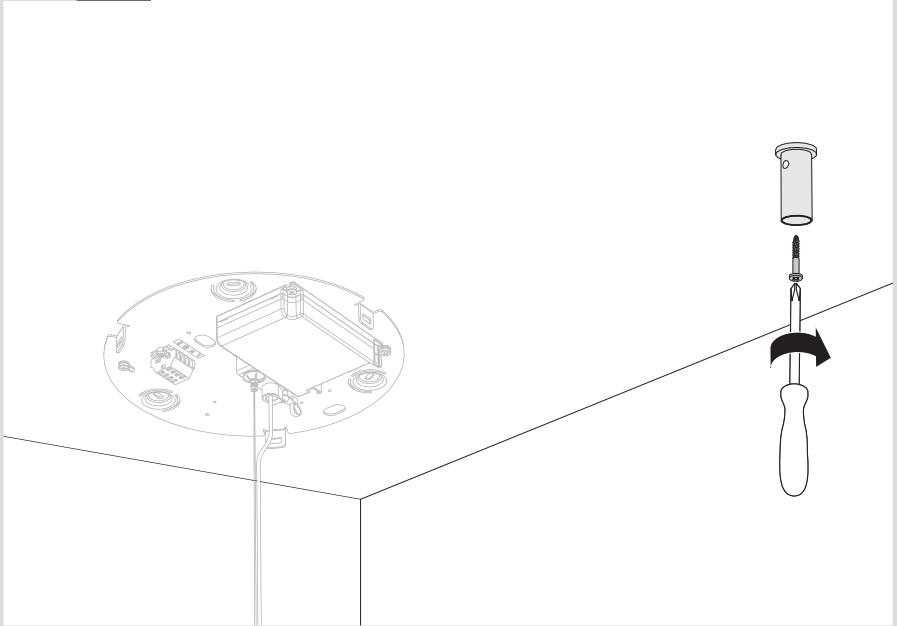
10



11



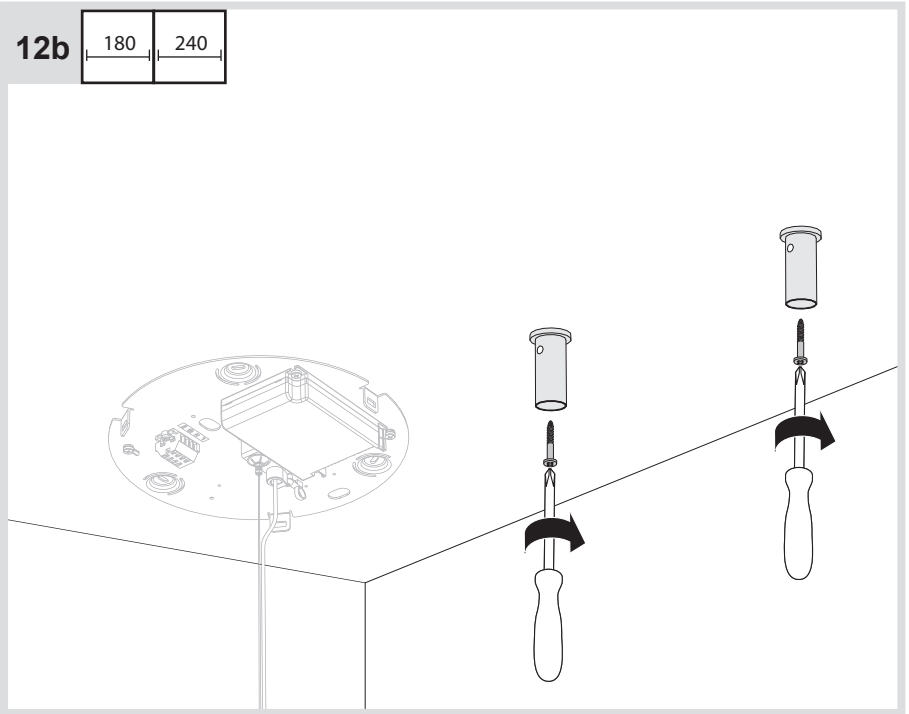
12a



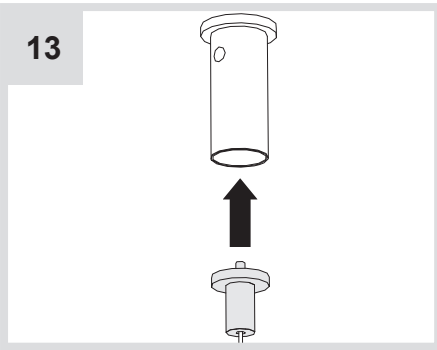
12b

180

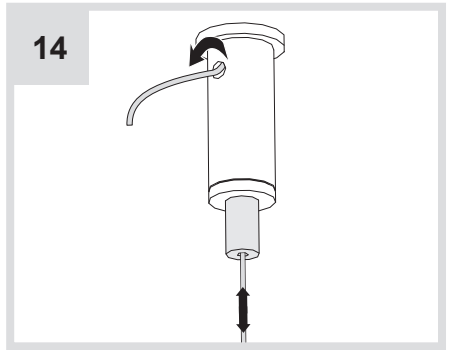
240



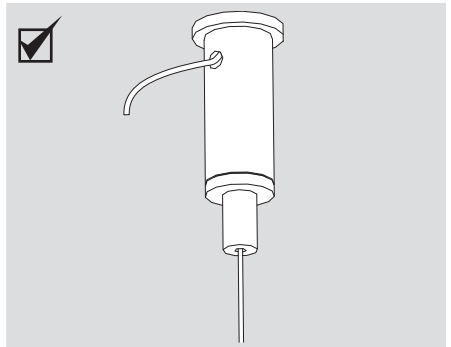
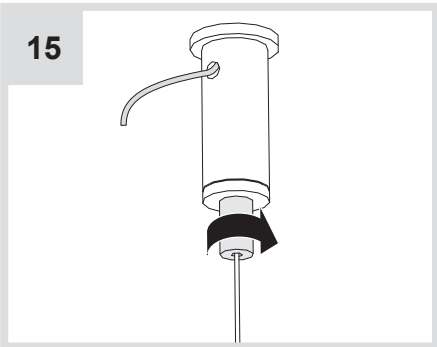
13



14

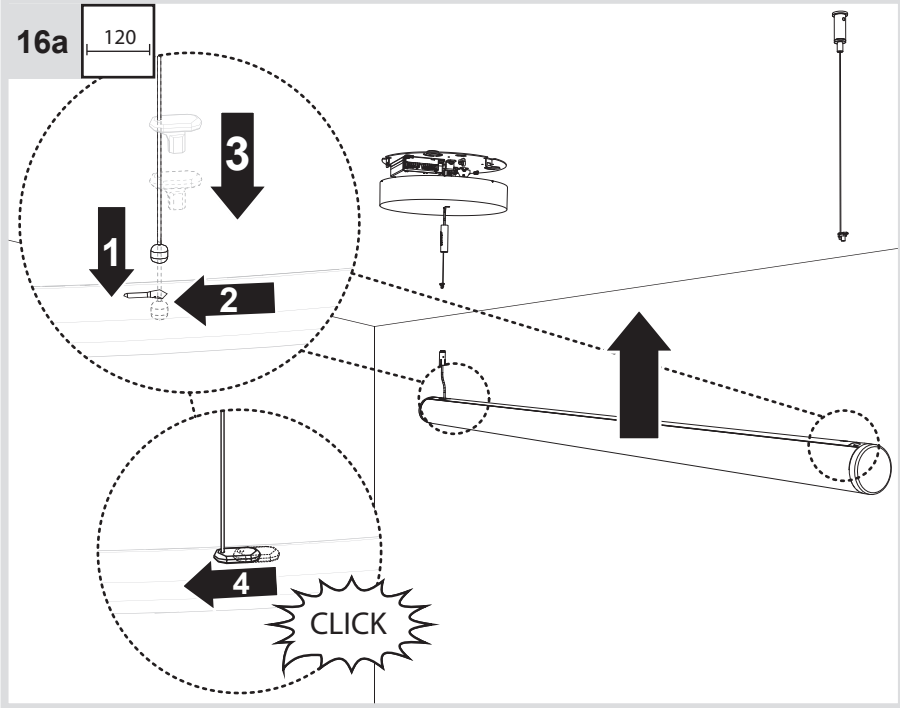


15



16a

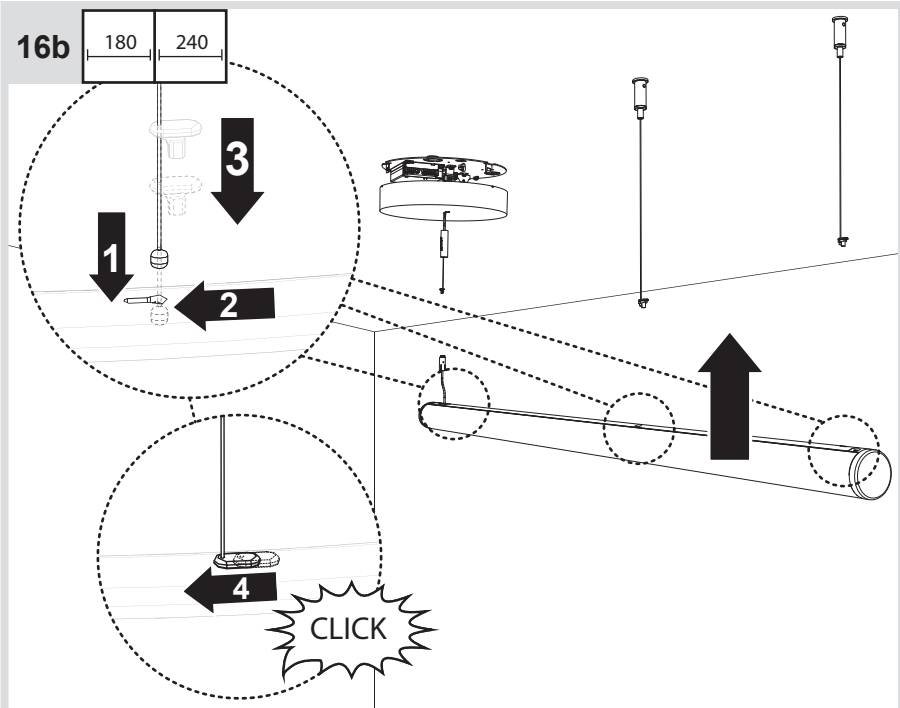
120

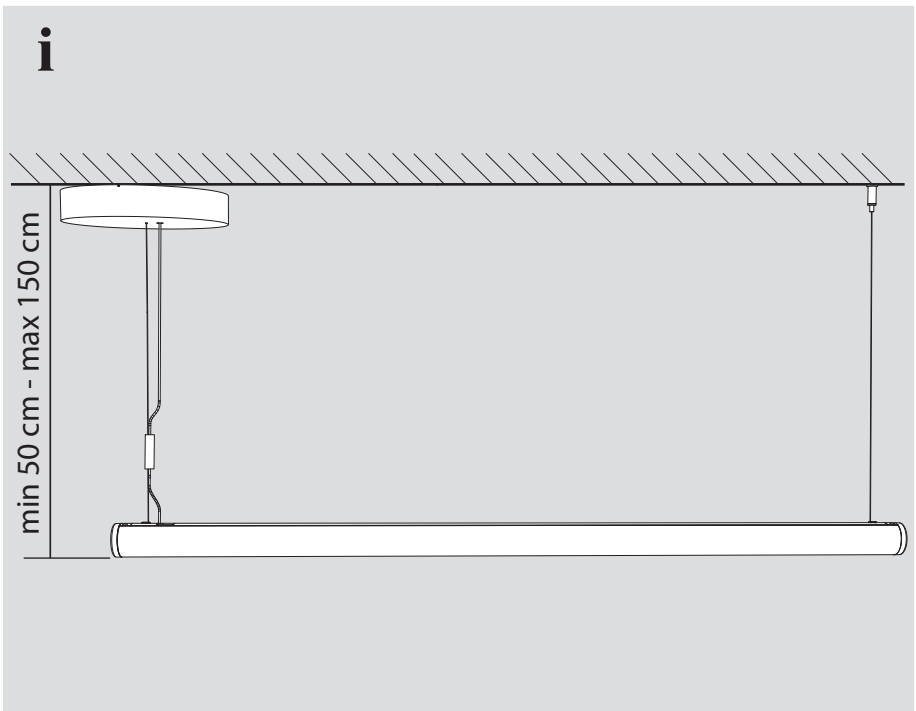
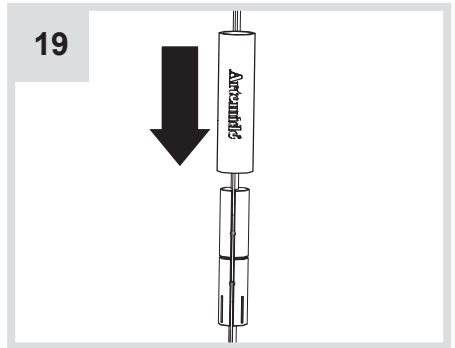
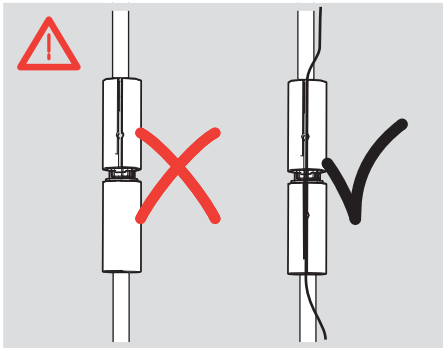
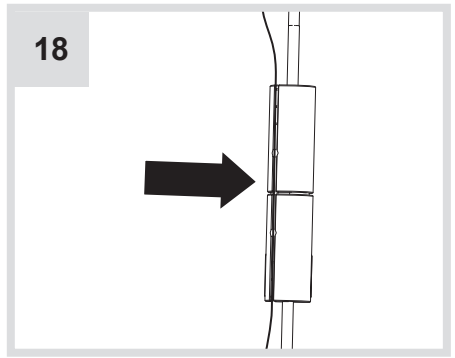
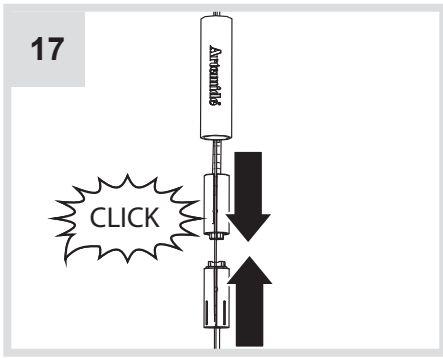


16b

180

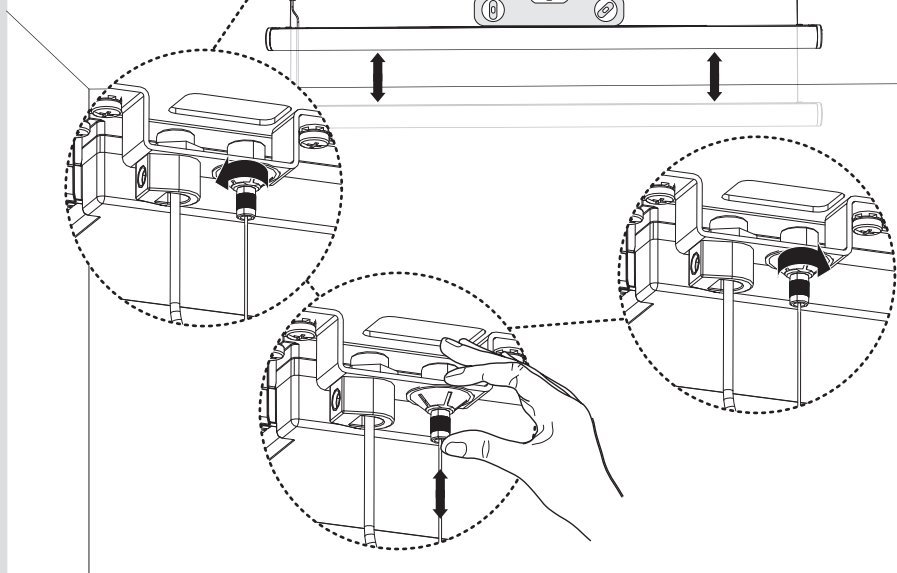
240





20a

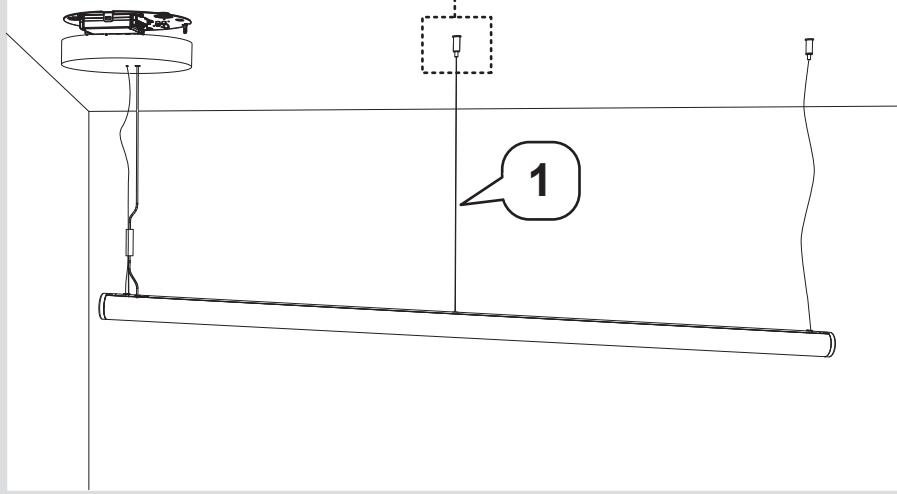
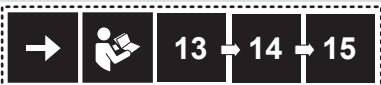
120



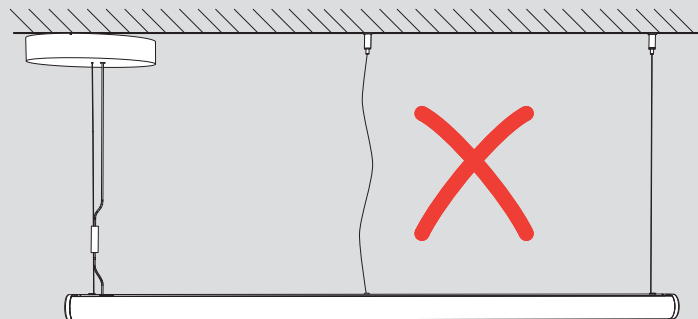
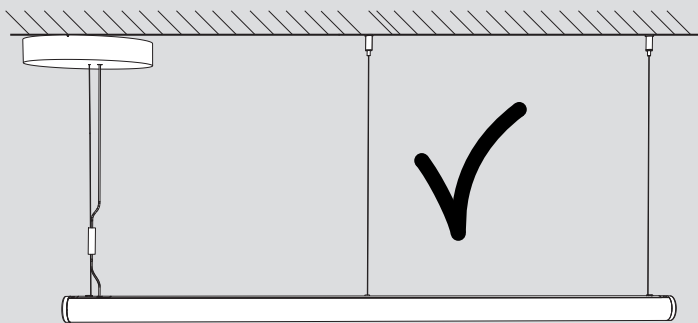
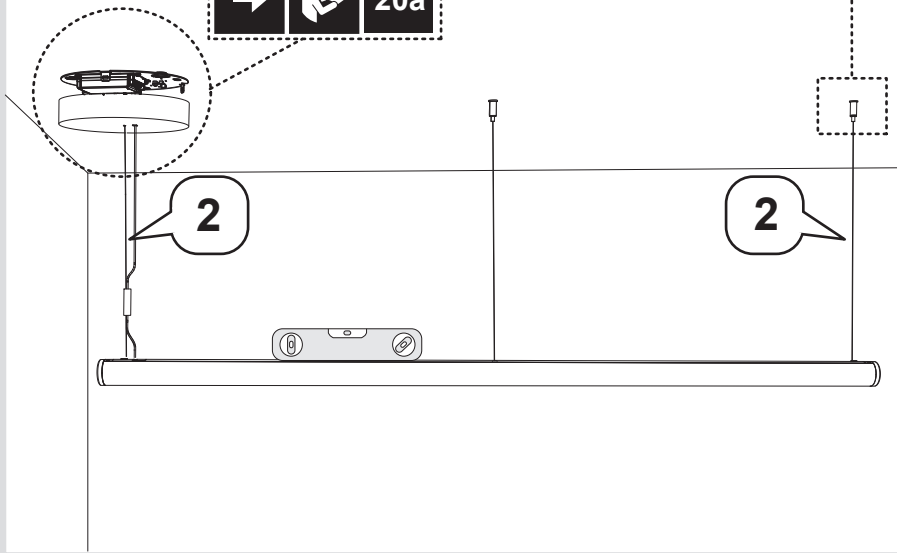
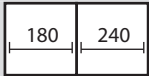
20b-1

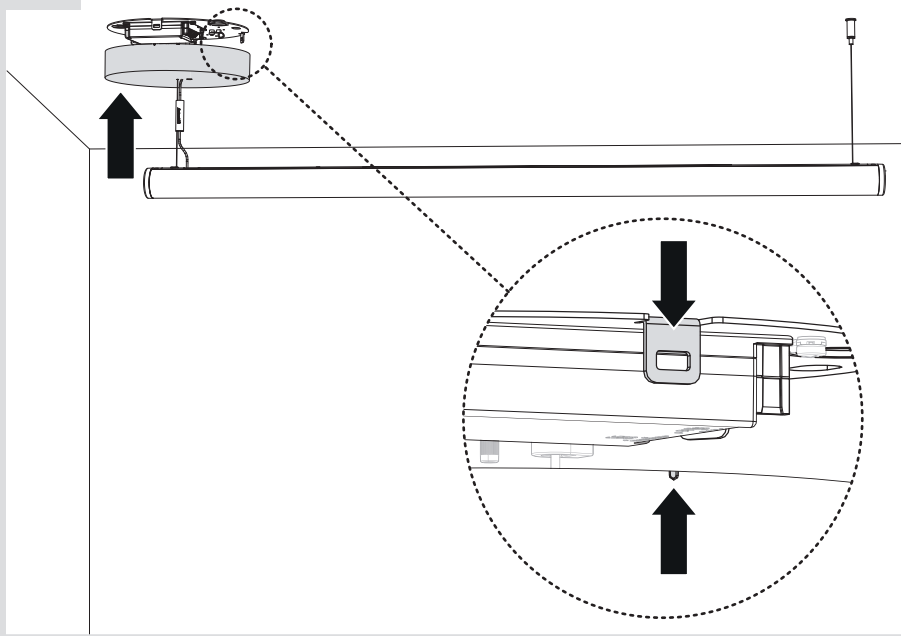
180

240



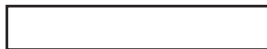
20b-2







Artemide®



Artemide

via Bergamo, 18
20010 Pregnana M.se (MI)
ITALIA

tel. +39 02 935 181
fax +39 02 935 90 254
fax +39 02 935 90 496

www.artemide.com

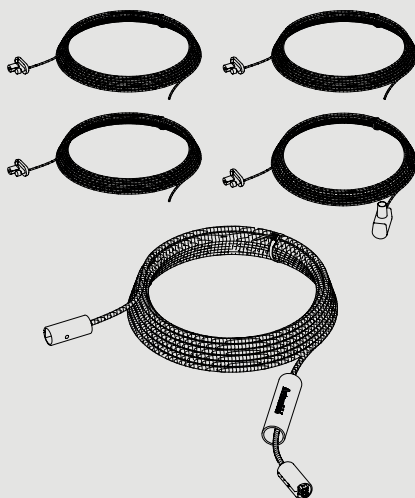
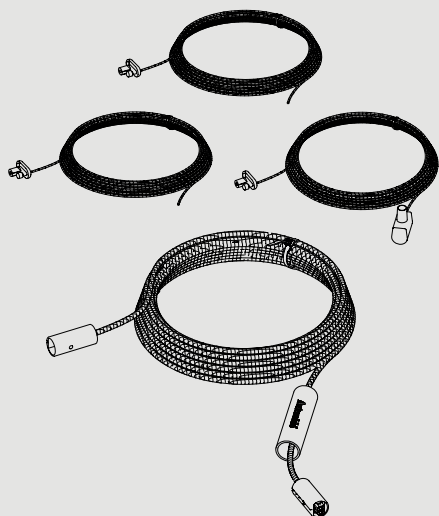
VAT IT00846890150

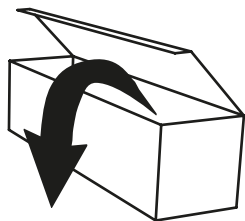
cod. Y513000822D

Artemide®

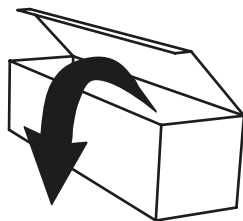
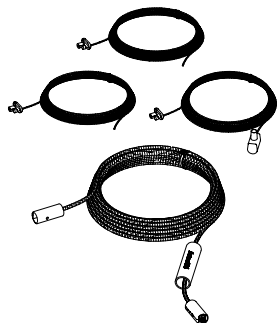
KIT PROLUNGA CAVI ALIMENTATI / CAVI DI SOSPENSIONE ALPHABET OF LIGHT LINEAR - CIRCULAR

design
BIG

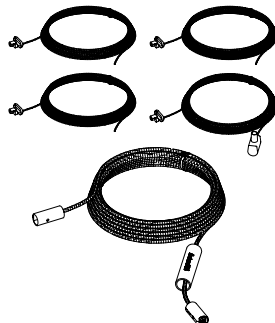


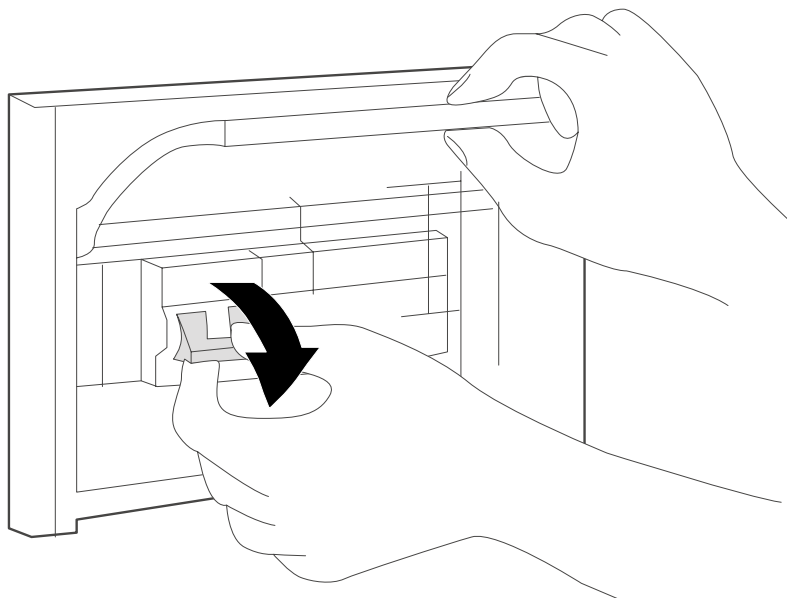


1209000A



1209100A





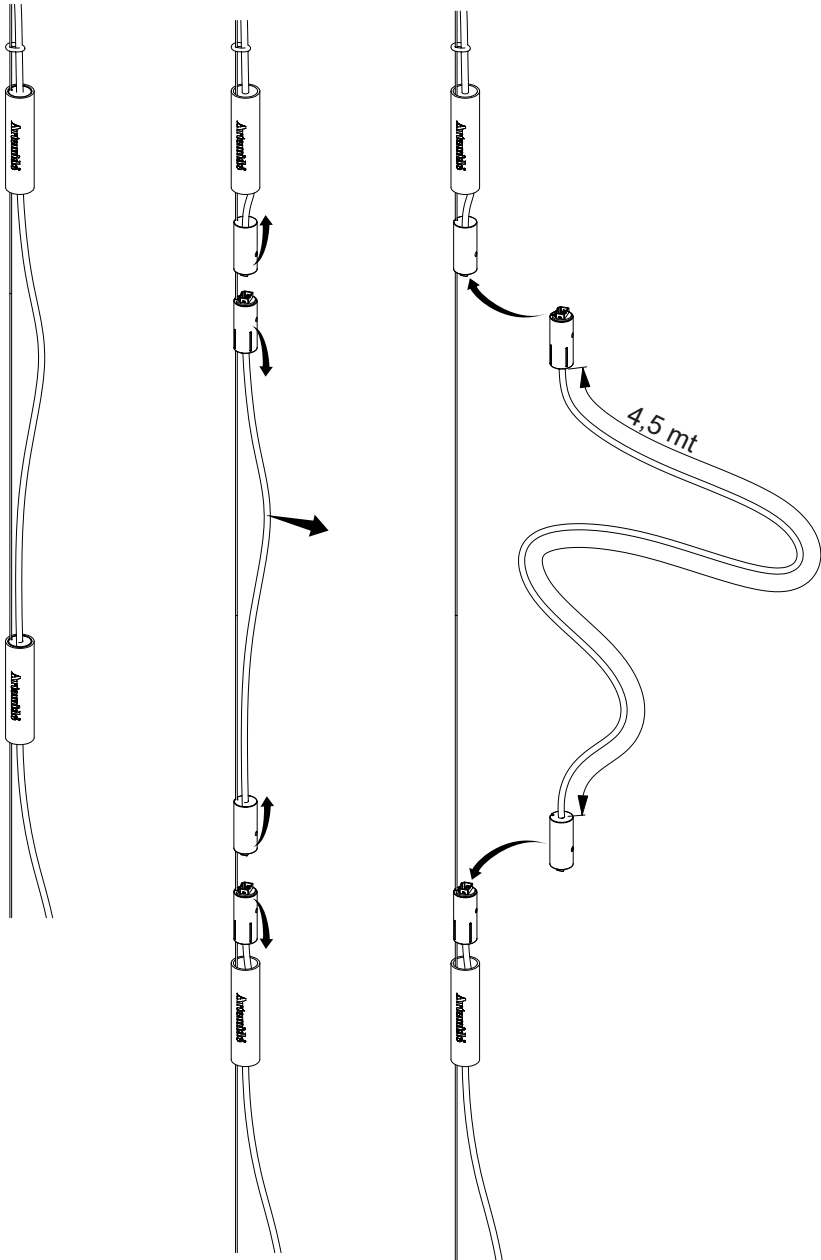
i

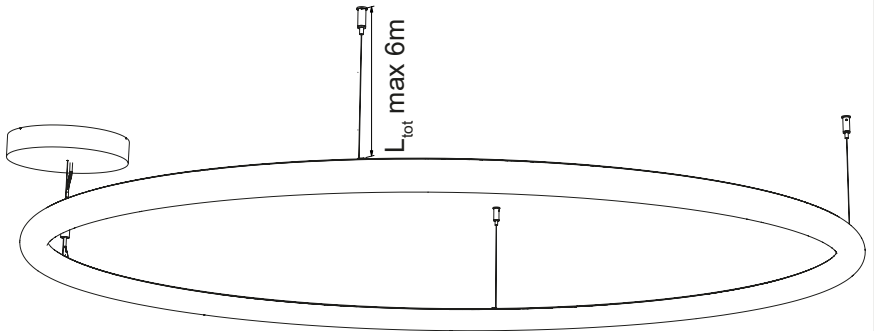
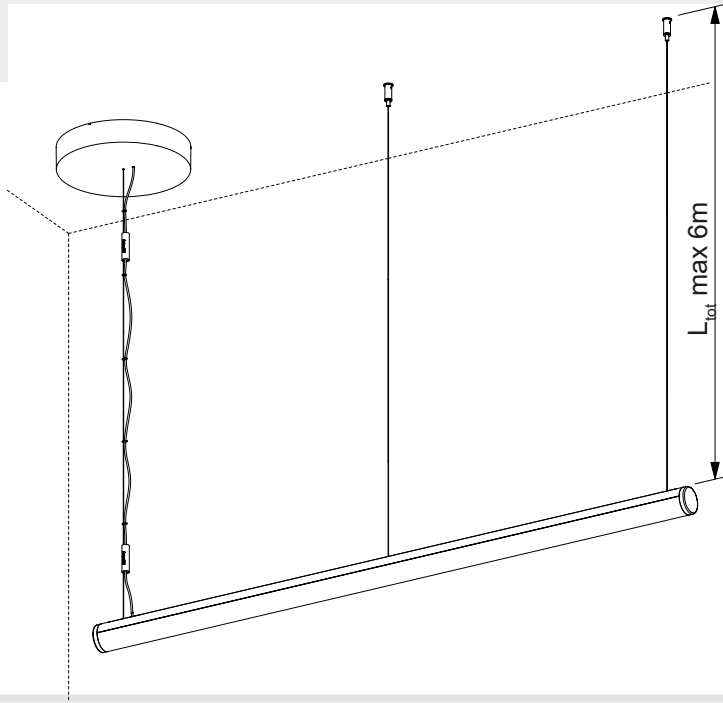


A

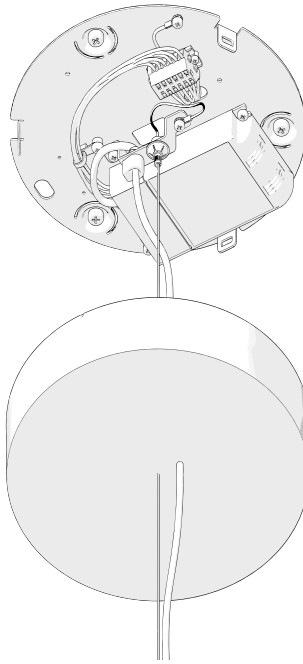
1



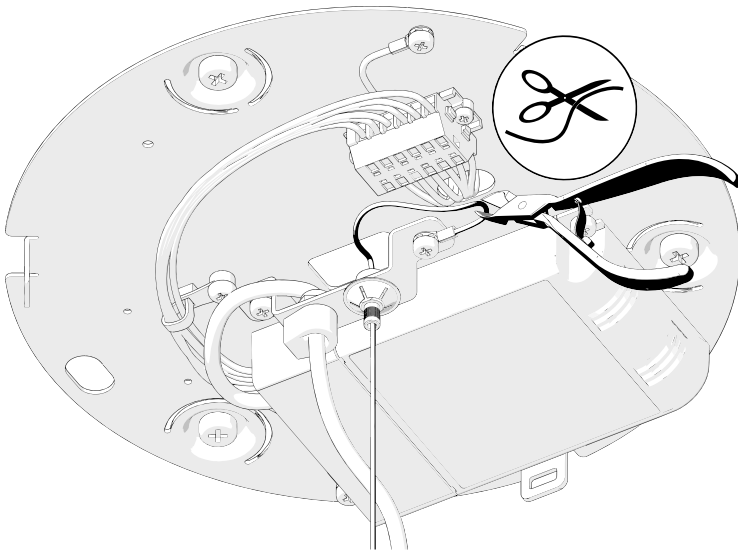




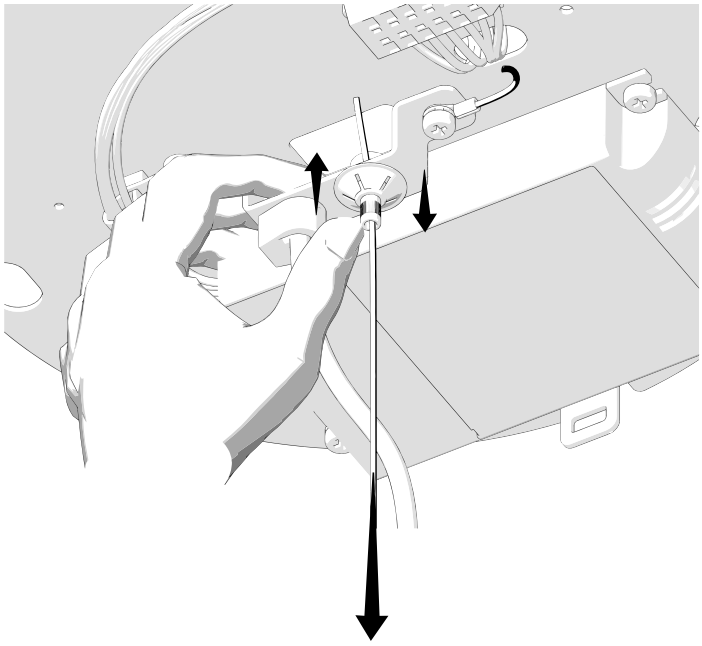
1



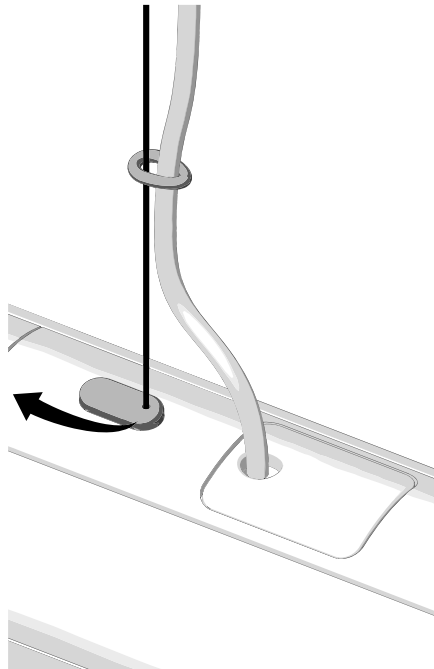
2



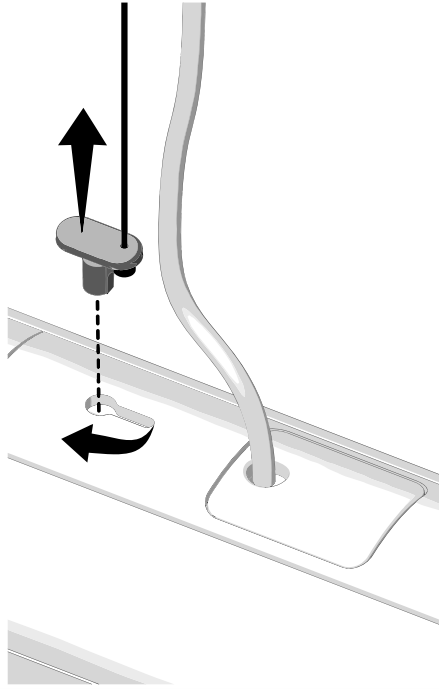
3



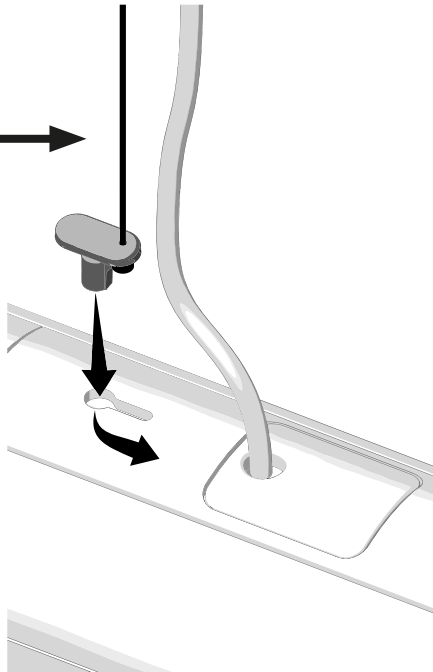
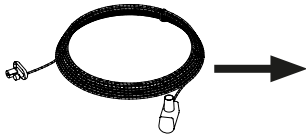
4



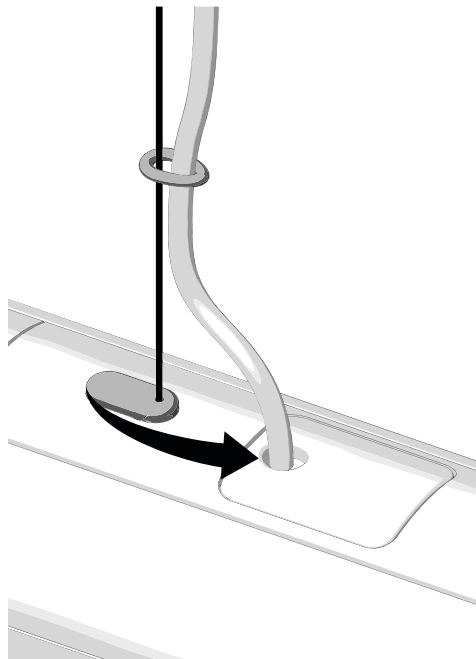
5



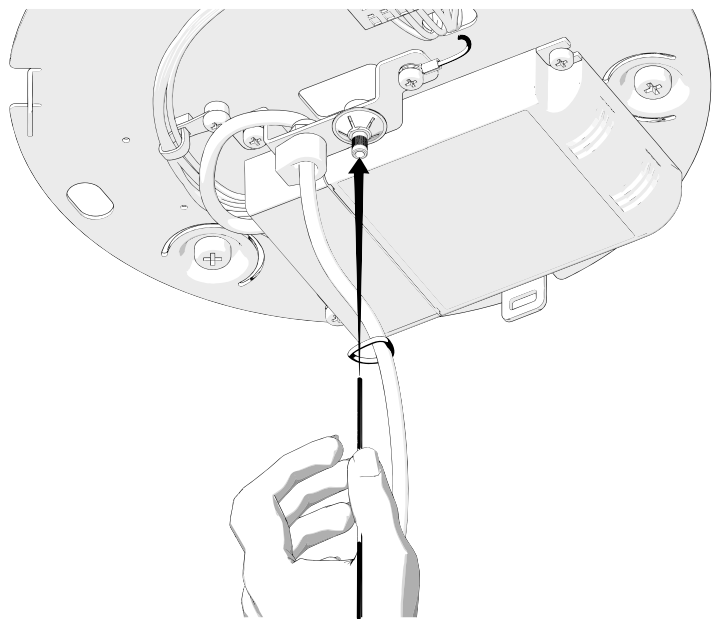
6



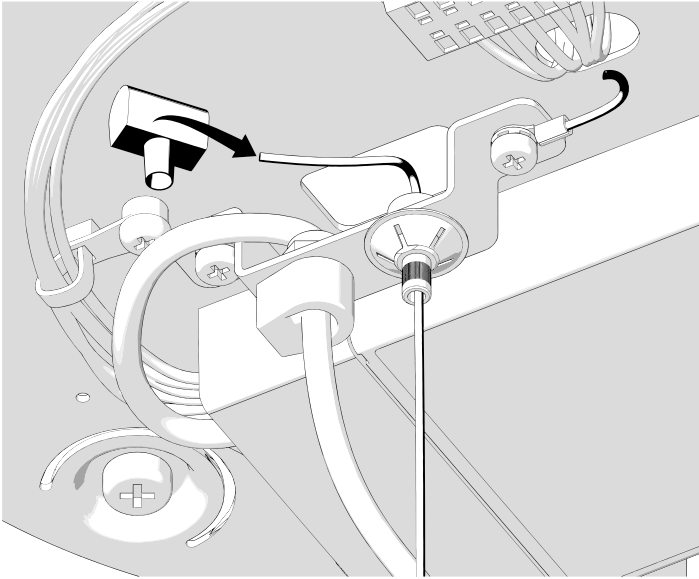
7



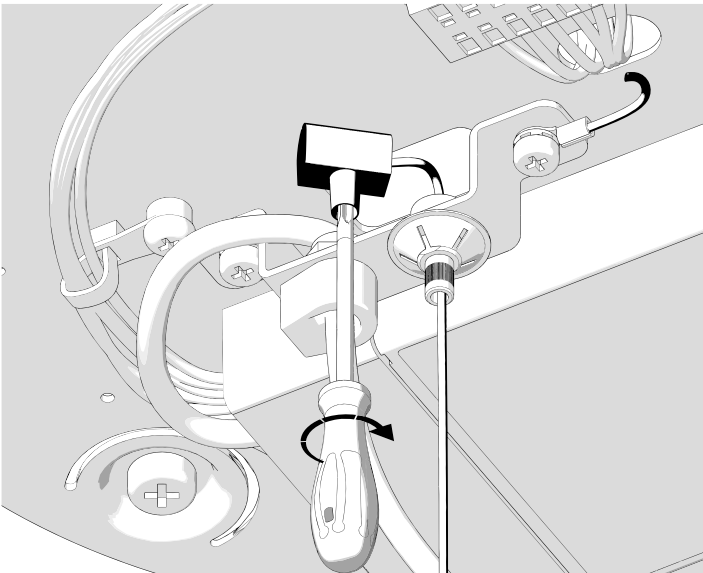
8

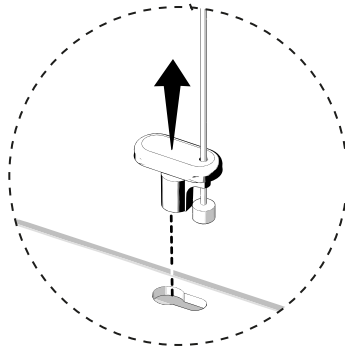
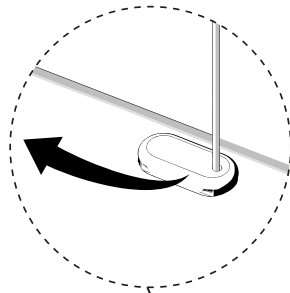
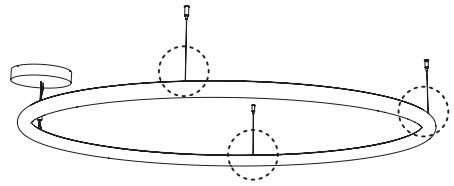
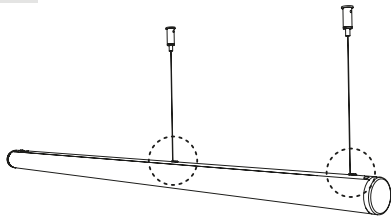


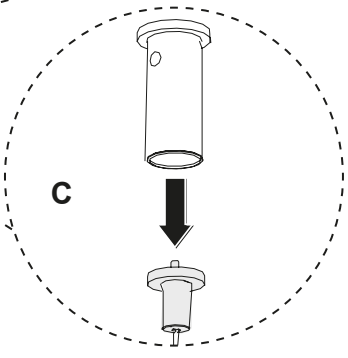
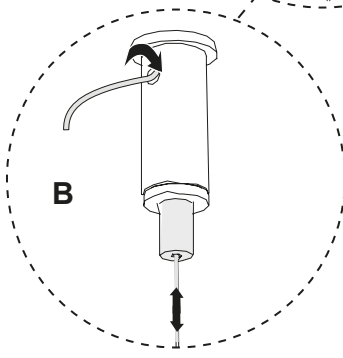
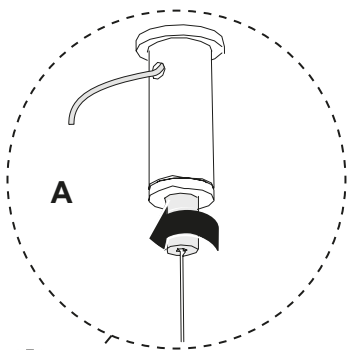
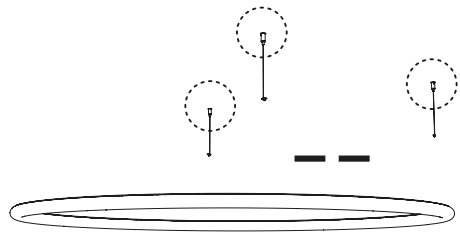
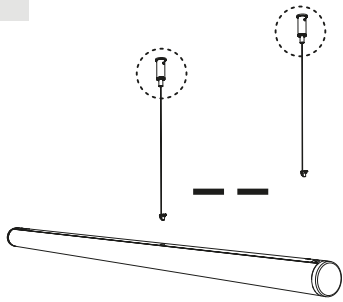
9



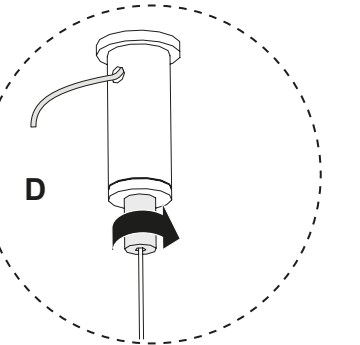
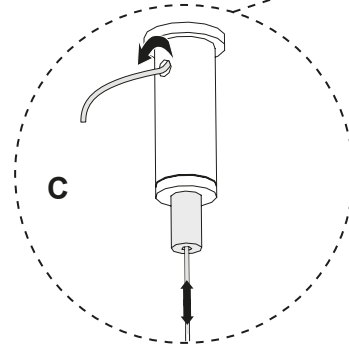
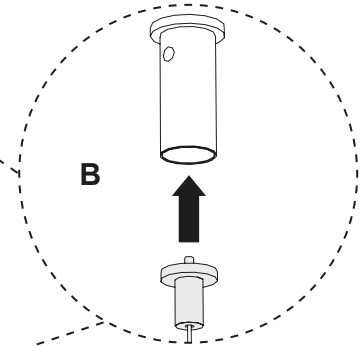
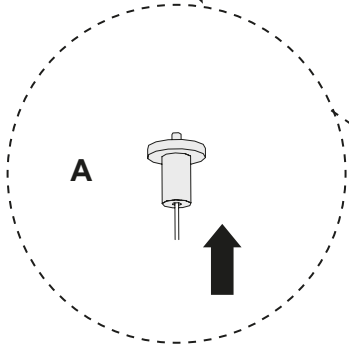
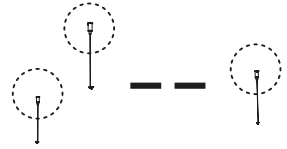
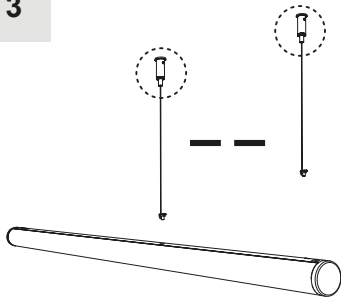
10

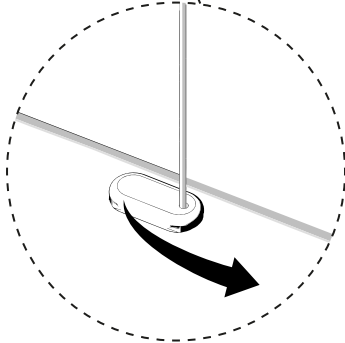
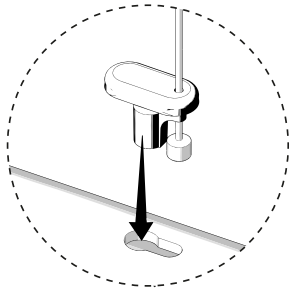
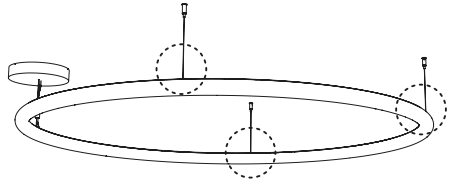
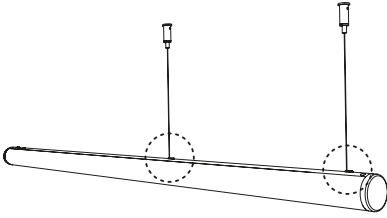






3





Artemide®



Artemide

via Bergamo, 18
20010 Pregnana M.se (MI)
ITALIA

tel. +39 02 935 181
fax +39 02 935 90 254
fax +39 02 935 90 496

www.artemide.com

VAT IT00846890150

cod. Y513001294A