

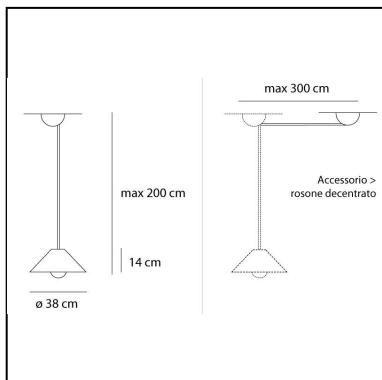
# Aggregato Suspension Ø380 cono metallo piccolo

Enzo Mari

Giancarlo Fassina



IP20    Dimmerable:  +  -



## LUMINAIRE

- Watt: **77W**
- Voltage: **220V-240V**

## Notes

Lamp with interchangeable diffusers.

## DESCRIPTION

Aggregato is the result of Enzo Mari's thoughts on the logics of industrial production: a handful of basic elements make it possible to put together multiple solutions of light; it is a systemic and strictly understated thought, to illuminate all spaces. Today, three different diffusers in two sizes can be combined with a simple suspension structure or with Saliscendi a Sfera.

## FEATURES

- Product Code: **A089860 + A033200**
- Colour: **Anthracite gray**
- Installation: **Suspension**
- Material: **Technopolymer, methacrylate or steel**
- Series: **Design Collection**
- Environment: **Indoor**
- Area contract: **Residential**
- Emission: **Diffused**
- design by: **Enzo Mari, Giancarlo Fassina**

## DIMENSIONS

- Height: **2000 mm**
- Diameter: **380 mm**
- Glow Wire Test: **650°**

## NOT INCLUDED SOURCES

- Category: **HALO**
- Number: **1**
- Lbs: **A60**
- Watt: **77W**
- Socket: **E27**
- Color Rendering: **1a**
- Color temperature (K): **2900K**
- Duration (h): **1000h**

## ALTERNATIVE SOURCES

- Category: **LED RETROFIT**
- Number: **1**
- Watt: **15W**
- Socket: **E27**

**Accessories**



AGGREGATO SOSP  
ROSONE DECENT  
A086000

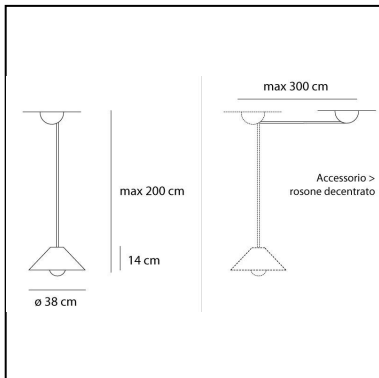
# Aggregato Suspension Ø380 cono opalino

Enzo Mari

Giancarlo Fassina



IP20    Dimmerable:  +  -



## LUMINAIRE

- Watt: **77W**
- Voltage: **220V-240V**

## Notes

Lamp with interchangeable diffusers.

## DESCRIPTION

Aggregato is the result of Enzo Mari's thoughts on the logics of industrial production: a handful of basic elements make it possible to put together multiple solutions of light; it is a systemic and strictly understated thought, to illuminate all spaces. Today, three different diffusers in two sizes can be combined with a simple suspension structure or with Saliscendi a Sfera.

## FEATURES

- Product Code: **A089700 + A033200**
- Colour: **White**
- Installation: **Suspension**
- Material: **Technopolymer, methacrylate**
- Series: **Design Collection**
- Environment: **Indoor**
- Area contract: **Residential**
- Emission: **Diffused**
- design by: **Enzo Mari, Giancarlo Fassina**

## DIMENSIONS

- Height: **2000 mm**
- Diameter: **380 mm**
- Glow Wire Test: **650°**

## NOT INCLUDED SOURCES

- Category: **HALO**
- Number: **1**
- Lbs: **A60**
- Watt: **77W**
- Socket: **E27**
- Color Rendering: **1a**
- Color temperature (K): **2900K**
- Duration (h): **1000h**

## ALTERNATIVE SOURCES

- Category: **LED RETROFIT**
- Number: **1**
- Watt: **15W**
- Socket: **E27**

**Accessories**



AGGREGATO SOSP  
ROSONE DECENT  
A086000

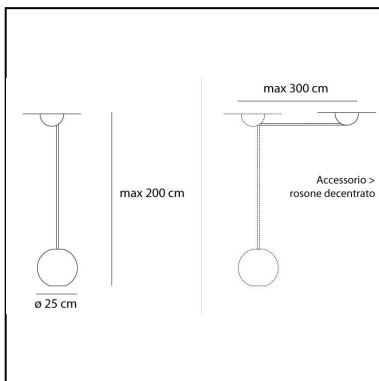
# Aggregato Suspension Ø250 sfera

Enzo Mari

Giancarlo Fassina



IP20    Dimmerable:  +  -



## LUMINAIRE

- Watt: **77W**
- Voltage: **220V-240V**

## Notes

Lamp with interchangeable diffusers.

## DESCRIPTION

Aggregato is the result of Enzo Mari's thoughts on the logics of industrial production: a handful of basic elements make it possible to put together multiple solutions of light; it is a systemic and strictly understated thought, to illuminate all spaces. Today, three different diffusers in two sizes can be combined with a simple suspension structure or with Saliscendi a Sfera.

## FEATURES

- Product Code: **A089410 + A033200**
- Colour: **White**
- Installation: **Suspension**
- Material: **Technopolymer, methacrylate**
- Series: **Design Collection**
- Environment: **Indoor**
- Area contract: **Residential**
- Emission: **Diffused**
- design by: **Enzo Mari, Giancarlo Fassina**

## DIMENSIONS

- Height: **2000 mm**
- Diameter: **250 mm**
- Glow Wire Test: **650°**

## NOT INCLUDED SOURCES

- Category: **HALO**
- Number: **1**
- Lbs: **A60**
- Watt: **77W**
- Socket: **E27**
- Color Rendering: **1a**
- Color temperature (K): **2900K**
- Duration (h): **1000h**

## ALTERNATIVE SOURCES

- Category: **LED RETROFIT**
- Number: **1**
- Watt: **15W**
- Socket: **E27**

**Accessories**



AGGREGATO SOSP  
ROSONE DECENT  
A086000

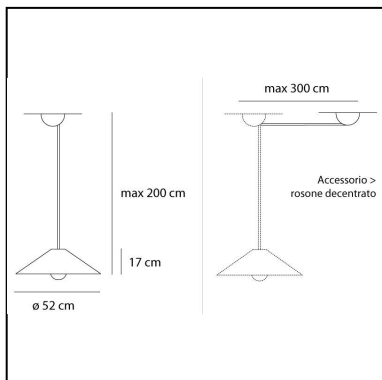
# Aggregato Suspension Ø530 cono opalino

Enzo Mari

Giancarlo Fassina



IP20    Dimmerable:  +  -



## LUMINAIRE

- Watt: **77W**
- Voltage: **220V-240V**

## Notes

Lamp with interchangeable diffusers.

## DESCRIPTION

Aggregato is the result of Enzo Mari's thoughts on the logics of industrial production: a handful of basic elements make it possible to put together multiple solutions of light; it is a systemic and strictly understated thought, to illuminate all spaces. Today, three different diffusers in two sizes can be combined with a simple suspension structure or with Saliscendi a Sfera.

## FEATURES

- Product Code: **A089400 + A033200**
- Colour: **White**
- Installation: **Suspension**
- Material: **Technopolymer, methacrylate**
- Series: **Design Collection**
- Environment: **Indoor**
- Area contract: **Residential**
- Emission: **Diffused**
- design by: **Enzo Mari, Giancarlo Fassina**

## DIMENSIONS

- Height: **2000 mm**
- Diameter: **530 mm**
- Glow Wire Test: **650°**

## NOT INCLUDED SOURCES

- Category: **HALO**
- Number: **1**
- Lbs: **A60**
- Watt: **77W**
- Socket: **E27**
- Color Rendering: **1a**
- Color temperature (K): **2900K**
- Duration (h): **1000h**

## ALTERNATIVE SOURCES

- Category: **LED RETROFIT**
- Number: **1**
- Watt: **15W**
- Socket: **E27**

**Accessories**



AGGREGATO SOSP  
ROSONE DECENT  
A086000



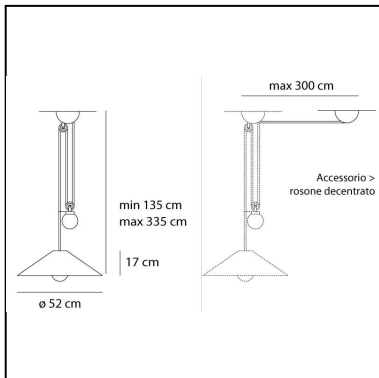
# Aggregato Saliscendi Ø530 cono opalino

Enzo Mari

Giancarlo Fassina



IP20   Dimmerable: 



## LUMINAIRE

- Watt: **77W**
- Voltage: **220V-240V**

## Notes

Lamp with interchangeable diffusers.

## DESCRIPTION

Aggregato is the result of Enzo Mari's thoughts on the logics of industrial production: a handful of basic elements make it possible to put together multiple solutions of light; it is a systemic and strictly understated thought, to illuminate all spaces. Today, three different diffusers in two sizes can be combined with a simple suspension structure or with Saliscendi a Sfera.

## FEATURES

- Product Code: **A089400 + A033100**
- Colour: **White**
- Installation: **Suspension**
- Material: **Technopolymer, methacrylate**
- Series: **Design Collection**
- Environment: **Indoor**
- Area contract: **Residential**
- Emission: **Diffused**
- design by: **Enzo Mari, Giancarlo Fassina**

## DIMENSIONS

- Height: **1350 mm**
- Diameter: **530 mm**
- Max Extension Height: **3350 mm**
- Glow Wire Test: **650°**

## NOT INCLUDED SOURCES

- Category: **HALO**
- Number: **1**
- Lbs: **A60**
- Watt: **77W**
- Socket: **E27**
- Color Rendering: **1a**
- Color temperature (K): **2900K**
- Duration (h): **1000h**

**ALTERNATIVE SOURCES**

- Category: **LED RETROFIT**
- Number: **1**
- Watt: **15W**
- Socket: **E27**

**Accessories**



AGGREGATO SOSP  
ROSONE DECENT  
A086000

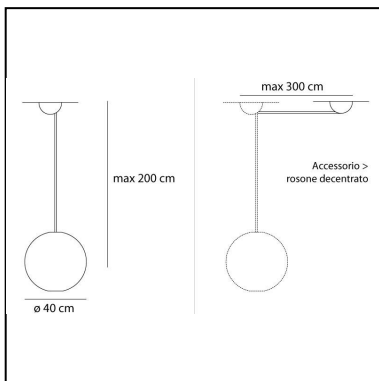
# Aggregato Suspension Ø400 sfera

Enzo Mari

Giancarlo Fassina



IP20    Dimmerable:  +  -



## LUMINAIRE

- Watt: **77W**
- Voltage: **220V-240V**

## Notes

Lamp with interchangeable diffusers.

## DESCRIPTION

Aggregato is the result of Enzo Mari's thoughts on the logics of industrial production: a handful of basic elements make it possible to put together multiple solutions of light; it is a systemic and strictly understated thought, to illuminate all spaces. Today, three different diffusers in two sizes can be combined with a simple suspension structure or with Saliscendi a Sfera.

## FEATURES

- Product Code: **A089412 + A033200**
- Colour: **White**
- Installation: **Suspension**
- Material: **Technopolymer, methacrylate**
- Series: **Design Collection**
- Environment: **Indoor**
- Area contract: **Residential**
- Emission: **Diffused**
- design by: **Enzo Mari, Giancarlo Fassina**

## DIMENSIONS

- Height: **2000 mm**
- Diameter: **400 mm**
- Glow Wire Test: **650°**

## NOT INCLUDED SOURCES

- Category: **HALO**
- Number: **1**
- Lbs: **A60**
- Watt: **77W**
- Socket: **E27**
- Color Rendering: **1a**
- Color temperature (K): **2900K**
- Duration (h): **1000h**

## ALTERNATIVE SOURCES

- Category: **LED RETROFIT**
- Number: **1**
- Watt: **15W**
- Socket: **E27**

**Accessories**



AGGREGATO SOSP  
ROSONE DECENT  
A086000

# Aggregato Saliscendi Ø530 cono metallo

Enzo Mari  
Giancarlo Fassina



IP20   Dimmerable: 

## LUMINAIRE

- Watt: **77W**
- Voltage: **220V-240V**

## Notes

Lamp with interchangeable diffusers.

## DESCRIPTION

Aggregato is the result of Enzo Mari's thoughts on the logics of industrial production: a handful of basic elements make it possible to put together multiple solutions of light; it is a systemic and strictly understated thought, to illuminate all spaces. Today, three different diffusers in two sizes can be combined with a simple suspension structure or with Saliscendi a Sfera.

## FEATURES

- Product Code: **A033100 + A089960**
- Colour: **Dark metal grey**
- Installation: **Suspension**
- Material: **Technopolymer, methacrylate or steel**
- Series: **Design Collection**
- Environment: **Indoor**
- Area contract: **Residential**
- Emission: **Diffused**
- design by: **Enzo Mari, Giancarlo Fassina**

## DIMENSIONS

- Height: **1350 mm**
- Diameter: **530 mm**
- Max Extension Height: **3350 mm**
- Glow Wire Test: **650°**

## NOT INCLUDED SOURCES

- Category: **HALO**
- Number: **1**
- Lbs: **A60**
- Watt: **77W**
- Socket: **E27**
- Color Rendering: **1a**
- Color temperature (K): **2900K**
- Duration (h): **1000h**

**ALTERNATIVE SOURCES**

- Category: **LED RETROFIT**
- Number: **1**
- Watt: **15W**
- Socket: **E27**

**Accessories**



AGGREGATO SOSP  
ROSONE DECENT  
A086000

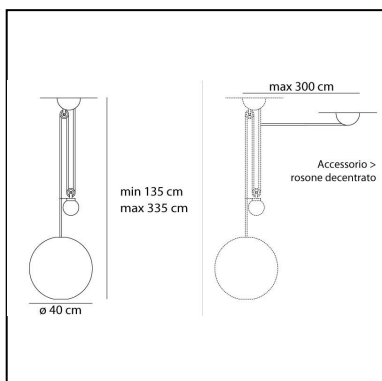
# Aggregato Saliscendi Ø400 sfera

Enzo Mari

Giancarlo Fassina



IP20   Dimmerable: 



## LUMINAIRE

- Watt: **77W**
- Voltage: **220V-240V**

## Notes

Lamp with interchangeable diffusers.

## DESCRIPTION

Aggregato is the result of Enzo Mari's thoughts on the logics of industrial production: a handful of basic elements make it possible to put together multiple solutions of light; it is a systemic and strictly understated thought, to illuminate all spaces. Today, three different diffusers in two sizes can be combined with a simple suspension structure or with Saliscendi a Sfera.

## FEATURES

- Product Code: **A089412 + A033100**
- Colour: **White**
- Installation: **Suspension**
- Material: **Technopolymer, methacrylate**
- Series: **Design Collection**
- Environment: **Indoor**
- Area contract: **Residential**
- Emission: **Diffused**
- design by: **Enzo Mari, Giancarlo Fassina**

## DIMENSIONS

- Height: **1350 mm**
- Diameter: **400 mm**
- Max Extension Height: **3350 mm**
- Glow Wire Test: **650°**

## NOT INCLUDED SOURCES

- Category: **HALO**
- Number: **1**
- Lbs: **A60**
- Watt: **77W**
- Socket: **E27**
- Color Rendering: **1a**
- Color temperature (K): **2900K**
- Duration (h): **1000h**

## ALTERNATIVE SOURCES

- Category: **LED RETROFIT**
- Number: **1**
- Watt: **15W**
- Socket: **E27**

**Accessories**



AGGREGATO SOSP  
ROSONE DECENT  
A086000



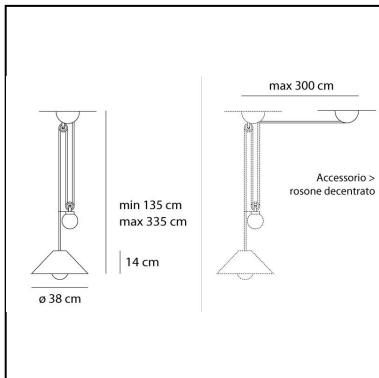
# Aggregato Saliscendi Ø380 cono opalino

Enzo Mari

Giancarlo Fassina



IP20   Dimmerable: 



## LUMINAIRE

- Watt: **77W**
- Voltage: **220V-240V**

## Notes

Lamp with interchangeable diffusers.

## DESCRIPTION

Aggregato is the result of Enzo Mari's thoughts on the logics of industrial production: a handful of basic elements make it possible to put together multiple solutions of light; it is a systemic and strictly understated thought, to illuminate all spaces. Today, three different diffusers in two sizes can be combined with a simple suspension structure or with Saliscendi a Sfera.

## FEATURES

- Product Code: **A089700 + A033100**
- Colour: **White**
- Installation: **Suspension**
- Material: **Technopolymer, methacrylate**
- Series: **Design Collection**
- Environment: **Indoor**
- Area contract: **Residential**
- Emission: **Diffused**
- design by: **Enzo Mari, Giancarlo Fassina**

## DIMENSIONS

- Height: **1350 mm**
- Diameter: **380 mm**
- Max Extension Height: **3350 mm**
- Glow Wire Test: **650°**

## NOT INCLUDED SOURCES

- Category: **HALO**
- Number: **1**
- Lbs: **A60**
- Watt: **77W**
- Socket: **E27**
- Color Rendering: **1a**
- Color temperature (K): **2900K**
- Duration (h): **1000h**

**ALTERNATIVE SOURCES**

- Category: **LED RETROFIT**
- Number: **1**
- Watt: **15W**
- Socket: **E27**

**Accessories**



AGGREGATO SOSP  
ROSONE DECENT  
A086000

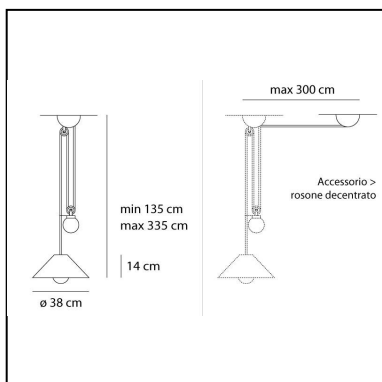
# Aggregato Saliscendi Ø380 cono metallo

Enzo Mari

Giancarlo Fassina



IP20    Dimmerable: 



## LUMINAIRE

- Watt: **77W**
- Voltage: **220V-240V**

## Notes

Lamp with interchangeable diffusers.

## DESCRIPTION

Aggregato is the result of Enzo Mari's thoughts on the logics of industrial production: a handful of basic elements make it possible to put together multiple solutions of light; it is a systemic and strictly understated thought, to illuminate all spaces. Today, three different diffusers in two sizes can be combined with a simple suspension structure or with Saliscendi a Sfera.

## FEATURES

- Product Code: **A089860 + A033100**
- Colour: **Anthracite gray**
- Installation: **Suspension**
- Material: **Technopolymer, methacrylate or steel**
- Series: **Design Collection**
- Environment: **Indoor**
- Area contract: **Residential**
- Emission: **Diffused**
- design by: **Enzo Mari, Giancarlo Fassina**

## DIMENSIONS

- Height: **1350 mm**
- Diameter: **380 mm**
- Max Extension Height: **3350 mm**
- Glow Wire Test: **650°**

## NOT INCLUDED SOURCES

- Category: **HALO**
- Number: **1**
- Lbs: **A60**
- Watt: **77W**
- Socket: **E27**
- Color Rendering: **1a**
- Color temperature (K): **2900K**
- Duration (h): **1000h**

**ALTERNATIVE SOURCES**

- Category: **LED RETROFIT**
- Number: **1**
- Watt: **15W**
- Socket: **E27**

**Accessories**

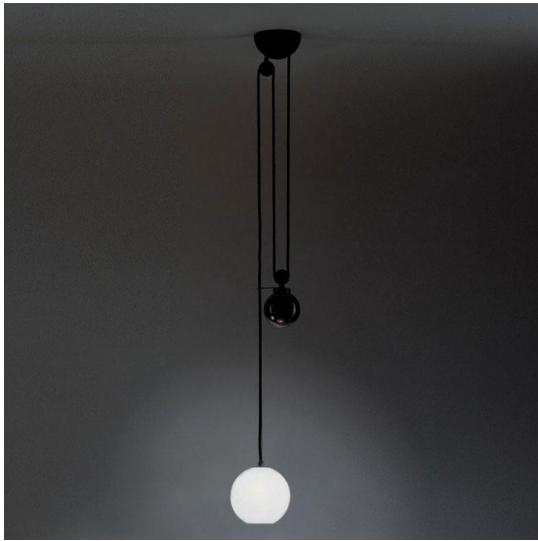




AGGREGATO SOSP  
ROSONE DECENT  
A086000

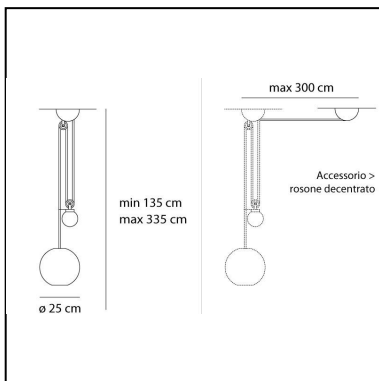
# Aggregato Saliscendi Ø250 sfera

Enzo Mari

Giancarlo Fassina



IP20   Dimmerable: 



## LUMINAIRE

- Watt: **77W**
- Voltage: **220V-240V**

## Notes

Lamp with interchangeable diffusers.

## DESCRIPTION

Aggregato is the result of Enzo Mari's thoughts on the logics of industrial production: a handful of basic elements make it possible to put together multiple solutions of light; it is a systemic and strictly understated thought, to illuminate all spaces. Today, three different diffusers in two sizes can be combined with a simple suspension structure or with Saliscendi a Sfera.

## FEATURES

- Product Code: **A033100 + A089410**
- Colour: **White**
- Installation: **Suspension**
- Material: **Technopolymer, methacrylate**
- Series: **Design Collection**
- Environment: **Indoor**
- Area contract: **Residential**
- Emission: **Diffused**
- design by: **Enzo Mari, Giancarlo Fassina**

## DIMENSIONS

- Height: **1350 mm**
- Diameter: **250 mm**
- Max Extension Height: **3350 mm**
- Glow Wire Test: **650°**

## NOT INCLUDED SOURCES

- Category: **HALO**
- Number: **1**
- Lbs: **A60**
- Watt: **77W**
- Socket: **E27**
- Color Rendering: **1a**
- Color temperature (K): **2900K**
- Duration (h): **1000h**

## ALTERNATIVE SOURCES

- Category: **LED RETROFIT**
- Number: **1**
- Watt: **15W**
- Socket: **E27**

**Accessories**



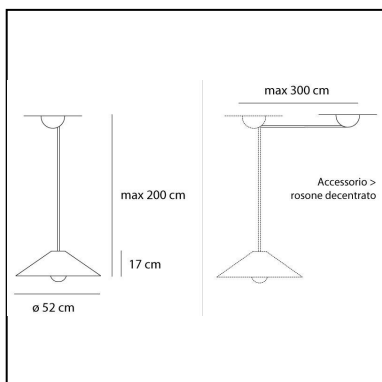
AGGREGATO SOSP  
ROSONE DECENT  
A086000

# Aggregato Suspension Ø530 cono metallo

Enzo Mari  
Giancarlo Fassina



IP20   **EAC**  Dimmerable: 



## LUMINAIRE

- Watt: **77W**
- Voltage: **220V-240V**

## Notes

Lamp with interchangeable diffusers.

## DESCRIPTION

Aggregato is the result of Enzo Mari's thoughts on the logics of industrial production: a handful of basic elements make it possible to put together multiple solutions of light; it is a systemic and strictly understated thought, to illuminate all spaces. Today, three different diffusers in two sizes can be combined with a simple suspension structure or with Saliscendi a Sfera.

## FEATURES

- Product Code: **A089960 + A033200**
- Colour: **Anthracite gray**
- Installation: **Suspension**
- Material: **Technopolymer, methacrylate or steel**
- Series: **Design Collection**
- Environment: **Indoor**
- Area contract: **Residential**
- Emission: **Diffused**
- design by: **Enzo Mari, Giancarlo Fassina**

## DIMENSIONS

- Height: **2000 mm**
- Diameter: **530 mm**
- Glow Wire Test: **650°**

## NOT INCLUDED SOURCES

- Category: **HALO**
- Number: **1**
- Lbs: **A60**
- Watt: **77W**
- Socket: **E27**
- Color Rendering: **1a**
- Color temperature (K): **2900K**
- Duration (h): **1000h**

## ALTERNATIVE SOURCES

- Category: **LED RETROFIT**
- Number: **1**
- Watt: **15W**
- Socket: **E27**

**Accessories**



AGGREGATO SOSP  
ROSONE DECENT  
A086000