

MARC WOOD

Zig Collection

Luxury Lighting Handmade in London



Inspired by the notion of change, from one direction to another, from the security of the known to the excitement of the unknown. Or a sharp shift of direction that no one can foresee.

Zig can be hung as a singular pendant or in multiple light repeats to create an array of decorative patterns and creative forms.





Variations



Zig Pendant



Zig - 2 Piece

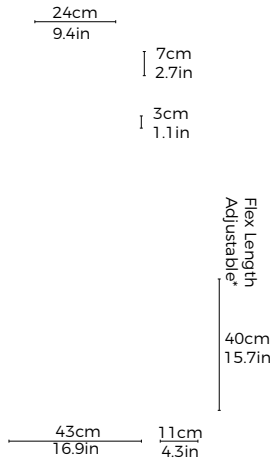


Zig - 4 Piece



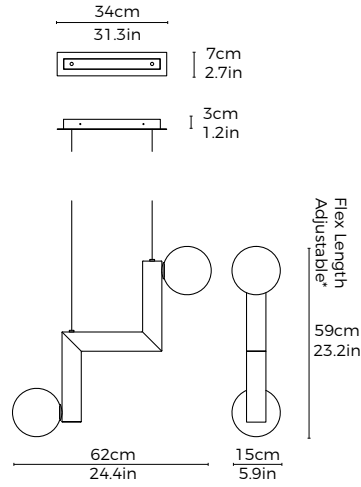
Zig - 6 Piece

Zig



Pendant - Small

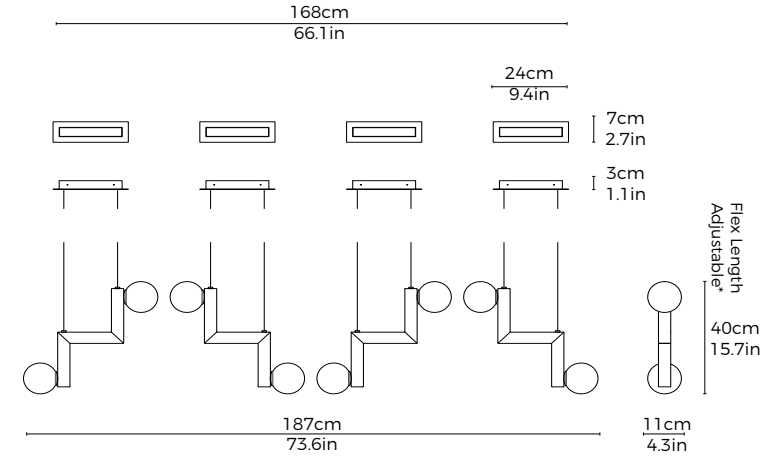
Size: W 43cm (16.9in) x H 40cm (15.7in) x D 11cm (4.3in)
G12 (x2) LED Bulb, 2700k, dimmable, exchangeable, included
Materials: Brass, Opal Glass



Pendant - Large

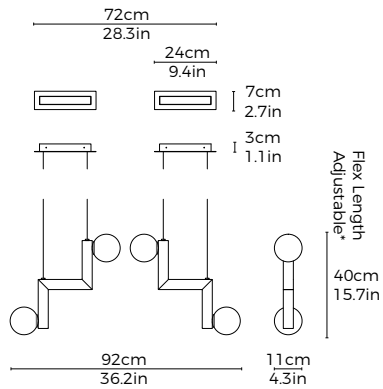
Size: W 62cm (24.4in) x H 59cm (23.2in) x D 15cm (5.9in)
G12 (x2) LED Bulb, 2700k, dimmable, exchangeable, included
Materials: Brass, Opal Glass

Zig



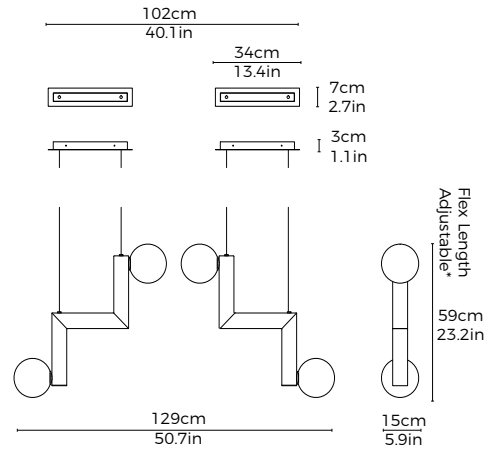
4 Piece - Small

Size: W 187cm (73.6in) x H 40cm (15.7in) x D 11cm (4.3in)
G12 (x8) LED Bulb, 2700k, dimmable, exchangeable, included
Materials: Brass, Opal Glass



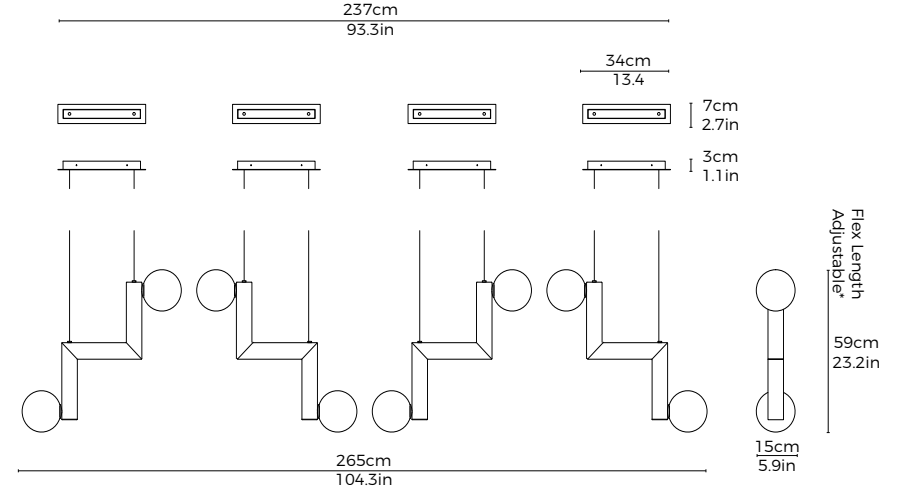
2 Piece - Small

Size: W 92cm (36.2in) x H 40cm (15.7in) x D 11cm (4.3in)
G12 (x4) LED Bulb, 2700k, dimmable, exchangeable, included
Materials: Brass, Opal Glass



2 Piece - Large

Size: W 129cm (50.7in) x H 59cm (23.2in) x D 15cm (5.9in)
G12 (x4) LED Bulb, 2700k, dimmable, exchangeable, included
Materials: Brass, Opal Glass

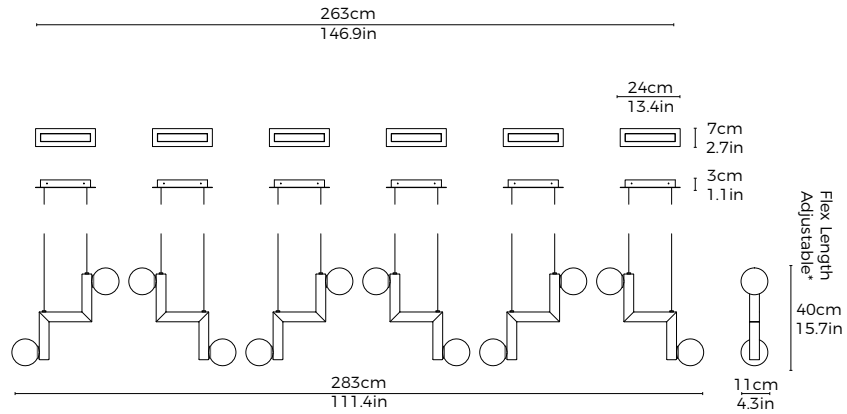


4 Piece - Large

Size: W 265cm (104.3in) x H 59cm (23.2in) x D 15cm (5.9in)
G12 (x8) LED Bulb, 2700k, dimmable, exchangeable, included
Materials: Brass, Opal Glass

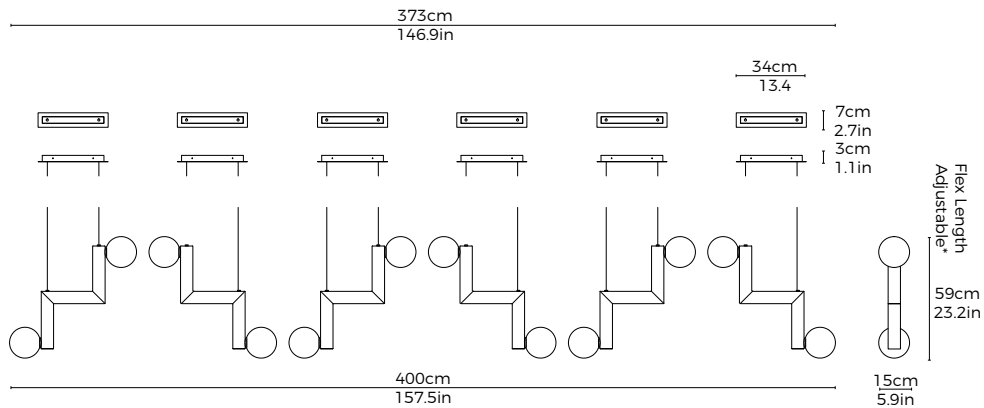
- All pendants are supplied with 2m long flex cables as standard, which can be cut to length on site.
- Please inquire for bespoke cluster arrangements as per requirement.
- CAD files available on request at - sales@marcwoodstudio.com

Zig



6 Piece - Small

Size: W 283cm (111.4in) x H 40cm (15.7in) x D 11cm (4.3in)
G12 (x12) LED Bulb, 2700k, dimmable, exchangeable, included
Materials: Brass, Opal Glass



6 Piece - Large

Size: W 400cm (157.5in) x H 59cm (23.2in) x D 15cm (5.9in)
G12 (x12) LED Bulb, 2700k, dimmable, exchangeable, included
Materials: Brass, Opal Glass

Contact

At Marc Wood Studio we strive to design, make and install outstanding Lights for clients who require the most exacting standards.

Please get in touch if you have any queries about our products or services. We would love to hear from you and discuss how we can help you create show-stopping spaces.

Enquiries

Web: marcwoodstudio.com

Mail: sales@marcwoodstudio.com

Tel: +44 (0)20 3582 4495

Marc Wood
Blackhorse Workshops
1-2 Sutherland Rd. Path
Walthamstow
London
E17 6BX

- All pendants are supplied with 2m long flex cables as standard, which can be cut to length on site.
- Please inquire for bespoke cluster arrangements as per requirement.
- CAD files available on request at - sales@marcwoodstudio.com