

PANZERI

Zero Round

220-240V AC dimmable (DALI/Push DIM)

P03301.050.0502

● white



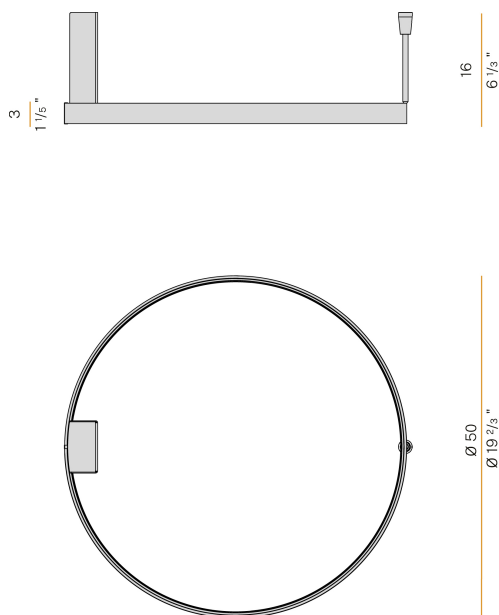
Data sheet

CODE	P03301.050.0502
SYSTEM POWER CONSUMPTION	29W
EFFICACY	70.31lm/W
LIGHT SOURCE	LED
LIGHT SOURCE LIFETIME	L70 (B50) 60.000h
COLOUR TEMPERATURE	2700K Ra>90
LIGHT DISTRIBUTION	diffused
POWER SUPPLY	220-240V AC
FREQUENCY	50/60Hz
ELECTRICAL CONFIGURATION	dimmable (DALI/Push DIM)
DRIVER	integrated included
NOMINAL LUMINOUS FLUX	2835lm
LUMEN OUTPUT	2039lm
EFFICIENCY	71.9%
WEIGHT	1,41 Kg
PROTECTION DEGREE	IP20
COLOUR TOLLERANCES	SDCM 3
PACKING DIMENSIONS	58,0 x 58,0 x 10,0 cm



Ceiling or wall lighting fixture for interiors, with direct and indirect light emission.
Pickled sheet metal ceiling or wall bracket in polyacrylic paint.
Pickled sheet metal wall plate in polyacrylic paint.
Bended extruded aluminium structure in white, black, bronze, mat brass or titanium polyacrylic paint.
Extruded polycarbonate diffuser with opaline finish.

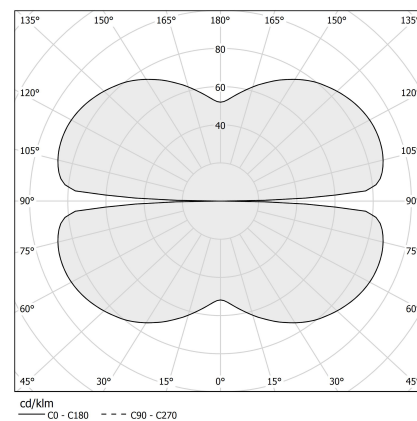
Technical drawing



Application



Polar diagram



PANZERI

Zero Round

220-240V AC dimmable (DALI/Push DIM)

P03301.050.0402

● white



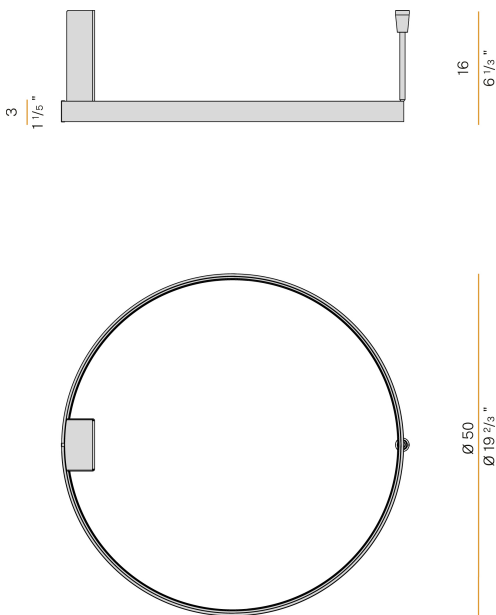
Data sheet

CODE	P03301.050.0402
SYSTEM POWER CONSUMPTION	29W
EFFICACY	70.31lm/W
LIGHT SOURCE	LED
LIGHT SOURCE LIFETIME	L70 (B50) 60.000h
COLOUR TEMPERATURE	3000K Ra>90
LIGHT DISTRIBUTION	diffused
POWER SUPPLY	220-240V AC
FREQUENCY	50/60Hz
ELECTRICAL CONFIGURATION	dimmable (DALI/Push DIM)
DRIVER	integrated included
NOMINAL LUMINOUS FLUX	2835lm
LUMEN OUTPUT	2039lm
EFFICIENCY	71.9%
WEIGHT	1,41 Kg
PROTECTION DEGREE	IP20
COLOUR TOLLERANCES	SDCM 3
PACKING DIMENSIONS	58,0 x 58,0 x 10,0 cm



Ceiling or wall lighting fixture for interiors, with direct and indirect light emission.
Pickled sheet metal ceiling or wall bracket in polyacrylic paint.
Pickled sheet metal wall plate in polyacrylic paint.
Bended extruded aluminium structure in white, black, bronze, mat brass or titanium polyacrylic paint.
Extruded polycarbonate diffuser with opaline finish.

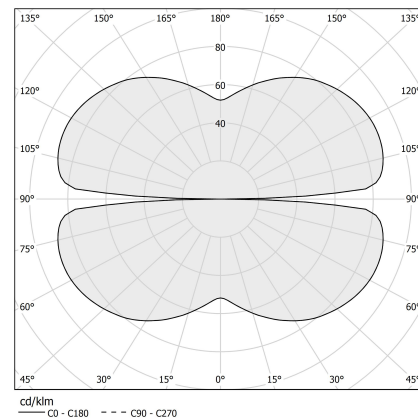
Technical drawing



Application



Polar diagram



PANZERI

Zero Round

220-240V AC dimmable (DALI/Push DIM)

P03301.075.0502

● white



Data sheet

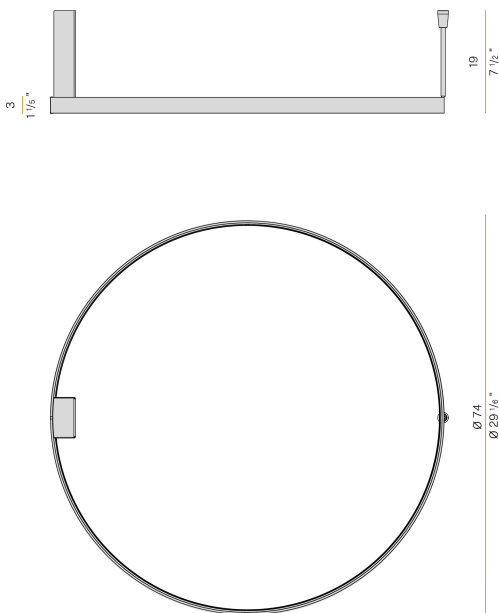
CODE	P03301.075.0502
SYSTEM POWER CONSUMPTION	42W
EFFICACY	72.83lm/W
LIGHT SOURCE	LED
LIGHT SOURCE LIFETIME	L70 (B50) 60.000h
COLOUR TEMPERATURE	2700K Ra>90
LIGHT DISTRIBUTION	diffused
POWER SUPPLY	220-240V AC
FREQUENCY	50/60Hz
ELECTRICAL CONFIGURATION	dimmable (DALI/Push DIM)
DRIVER	integrated included
NOMINAL LUMINOUS FLUX	4252lm
LUMEN OUTPUT	3059lm
EFFICIENCY	71.9%
WEIGHT	1,80 Kg
PROTECTION DEGREE	IP20
COLOUR TOLLERANCES	SDCM 3
PACKING DIMENSIONS	83,0 x 83,0 x 10,0 cm



Ceiling or wall lighting fixture for interiors, with direct and indirect light emission.
Pickled sheet metal ceiling or wall bracket in polyacrylic paint.
Pickled sheet metal wall plate in polyacrylic paint.
Bended extruded aluminium structure in white, black, bronze, mat brass or titanium polyacrylic paint.
Extruded polycarbonate diffuser with opaline finish.



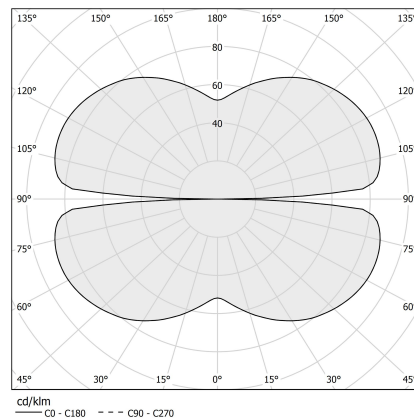
Technical drawing



Application



Polar diagram



PANZERI

Zero Round

220-240V AC dimmable (DALI/Push DIM)

P03301.075.0402

● white



Data sheet

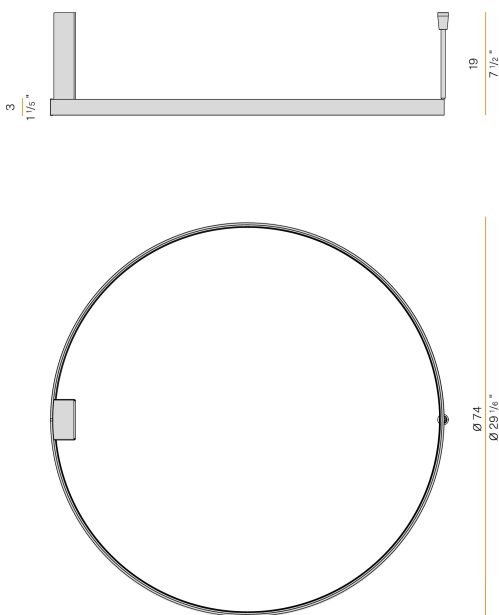
CODE	P03301.075.0402
SYSTEM POWER CONSUMPTION	42W
EFFICACY	72.83lm/W
LIGHT SOURCE	LED
LIGHT SOURCE LIFETIME	L70 (B50) 60.000h
COLOUR TEMPERATURE	3000K Ra>90
LIGHT DISTRIBUTION	diffused
POWER SUPPLY	220-240V AC
FREQUENCY	50/60Hz
ELECTRICAL CONFIGURATION	dimmable (DALI/Push DIM)
DRIVER	integrated included
NOMINAL LUMINOUS FLUX	4252lm
LUMEN OUTPUT	3059lm
EFFICIENCY	71.9%
WEIGHT	1,80 Kg
PROTECTION DEGREE	IP20
COLOUR TOLLERANCES	SDCM 3
PACKING DIMENSIONS	83,0 x 83,0 x 10,0 cm



Ceiling or wall lighting fixture for interiors, with direct and indirect light emission. Pickled sheet metal ceiling or wall bracket in polyacrylic paint. Pickled sheet metal wall plate in polyacrylic paint. Bended extruded aluminium structure in white, black, bronze, mat brass or titanium polyacrylic paint. Extruded polycarbonate diffuser with opaline finish.



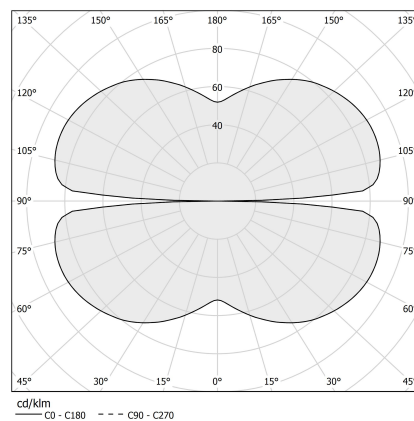
Technical drawing



Application



Polar diagram



PANZERI

Zero Round

220-240V AC dimmable (DALI/Push DIM)

P03301.100.0402

● white



Data sheet

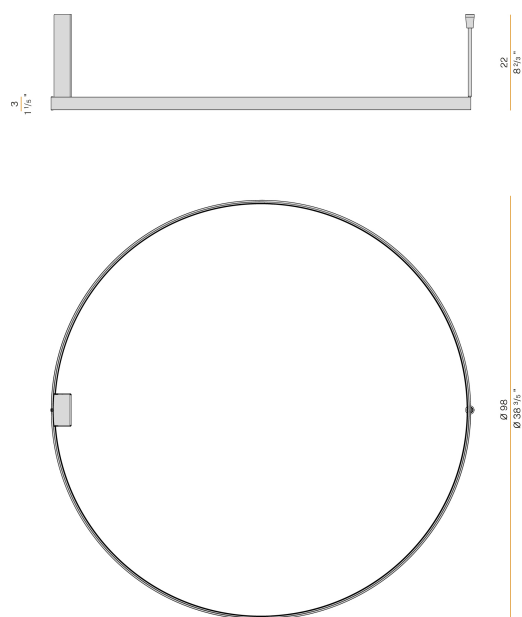
CODE	P03301.100.0402
SYSTEM POWER CONSUMPTION	54W
EFFICACY	75.54lm/W
LIGHT SOURCE	LED
LIGHT SOURCE LIFETIME	L70 (B50) 60.000h
COLOUR TEMPERATURE	3000K Ra>90
LIGHT DISTRIBUTION	diffused
POWER SUPPLY	220-240V AC
FREQUENCY	50/60Hz
ELECTRICAL CONFIGURATION	dimmable (DALI/Push DIM)
DRIVER	integrated included
NOMINAL LUMINOUS FLUX	5670lm
LUMEN OUTPUT	4079lm
EFFICIENCY	71.9%
WEIGHT	2,06 Kg
PROTECTION DEGREE	IP20
COLOUR TOLLERANCES	SDCM 3
PACKING DIMENSIONS	107,0 x 107,0 x 11,0 cm



Ceiling or wall lighting fixture for interiors, with direct and indirect light emission.
Pickled sheet metal ceiling or wall bracket in polyacrylic paint.
Pickled sheet metal wall plate in polyacrylic paint.
Bended extruded aluminium structure in white, black, bronze, mat brass or titanium polyacrylic paint.
Extruded polycarbonate diffuser with opaline finish.



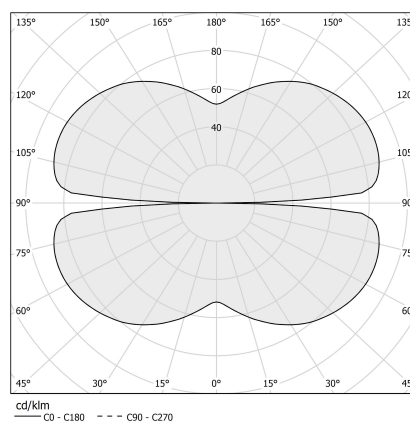
Technical drawing



Application



Polar diagram



PANZERI

Zero Round

220-240V AC dimmable (DALI/Push DIM)

P03301.100.0502

● white



Data sheet

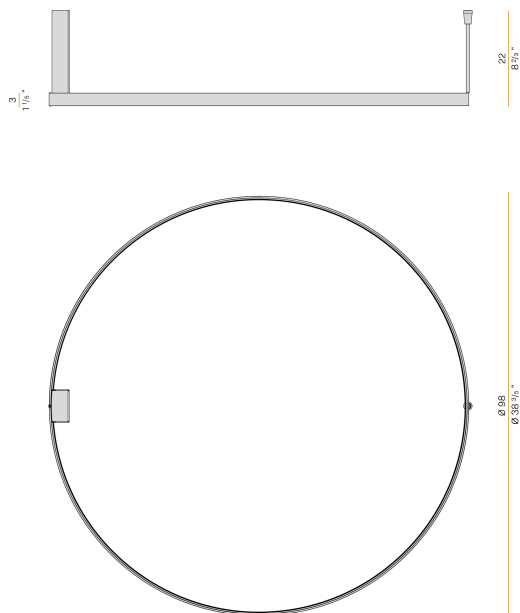
CODE	P03301.100.0502
SYSTEM POWER CONSUMPTION	54W
EFFICACY	75.54lm/W
LIGHT SOURCE	LED
LIGHT SOURCE LIFETIME	L70 (B50) 60.000h
COLOUR TEMPERATURE	2700K Ra>90
LIGHT DISTRIBUTION	diffused
POWER SUPPLY	220-240V AC
FREQUENCY	50/60Hz
ELECTRICAL CONFIGURATION	dimmable (DALI/Push DIM)
DRIVER	integrated included
NOMINAL LUMINOUS FLUX	5670lm
LUMEN OUTPUT	4079lm
EFFICIENCY	71.9%
WEIGHT	2,06 Kg
PROTECTION DEGREE	IP20
COLOUR TOLLERANCES	SDCM 3
PACKING DIMENSIONS	107,0 x 107,0 x 11,0 cm



Ceiling or wall lighting fixture for interiors, with direct and indirect light emission.
Pickled sheet metal ceiling or wall bracket in polyacrylic paint.
Pickled sheet metal wall plate in polyacrylic paint.
Bended extruded aluminium structure in white, black, bronze, mat brass or titanium polyacrylic paint.
Extruded polycarbonate diffuser with opaline finish.



Technical drawing



Application



Polar diagram

