

Artemide®

IXA ARM

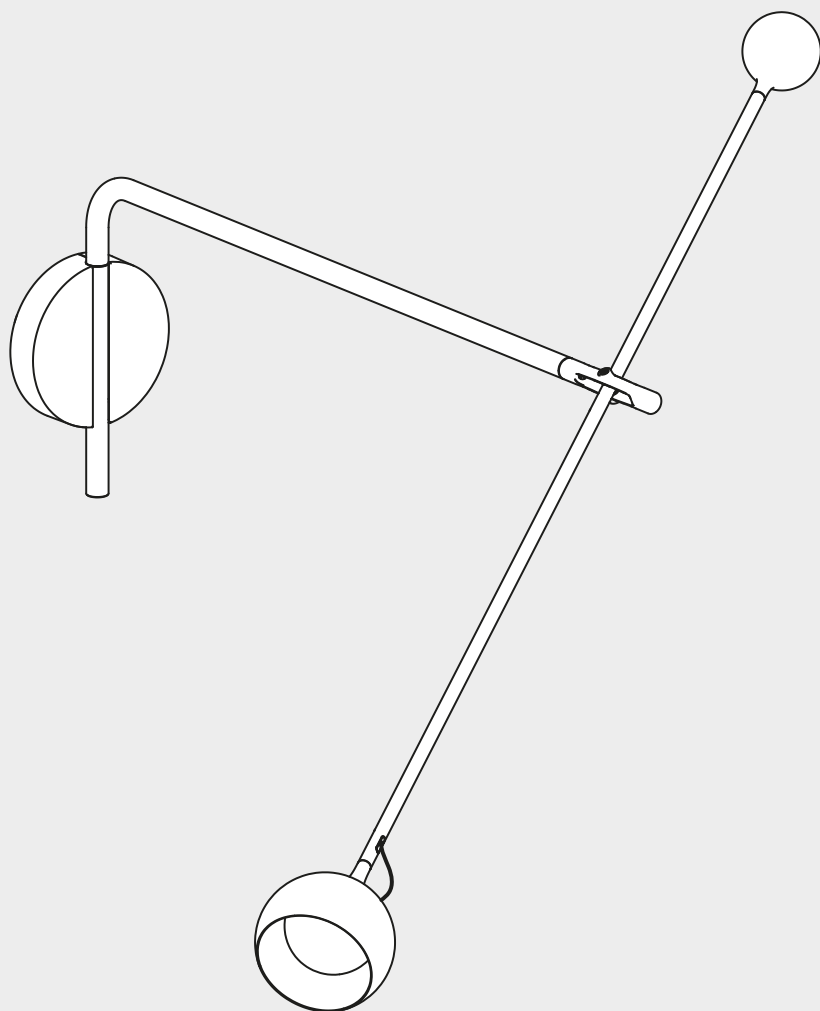
design
Foster & Partners



INDOOR



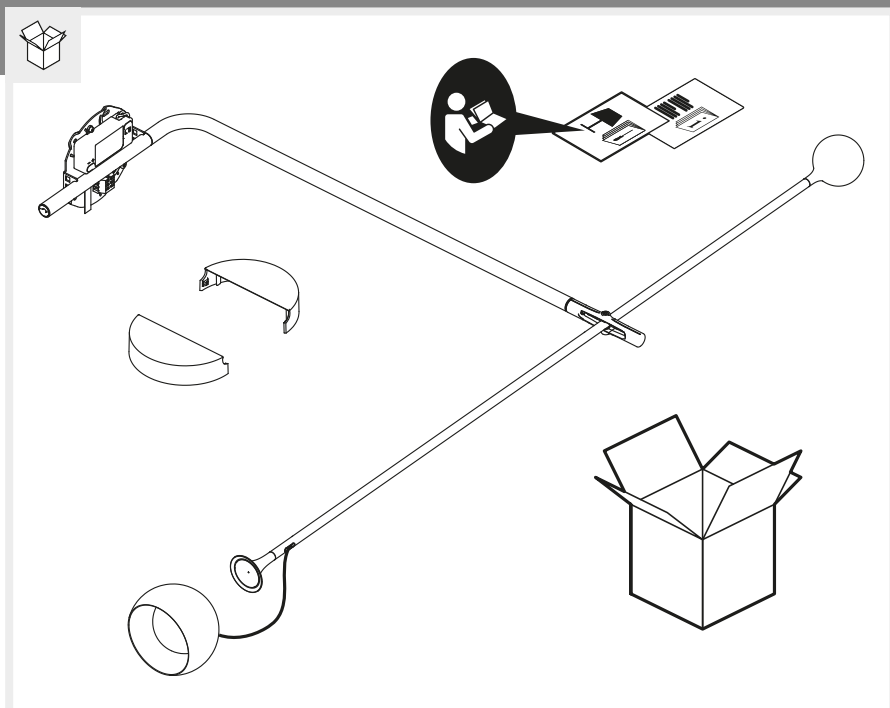
OUTDOOR



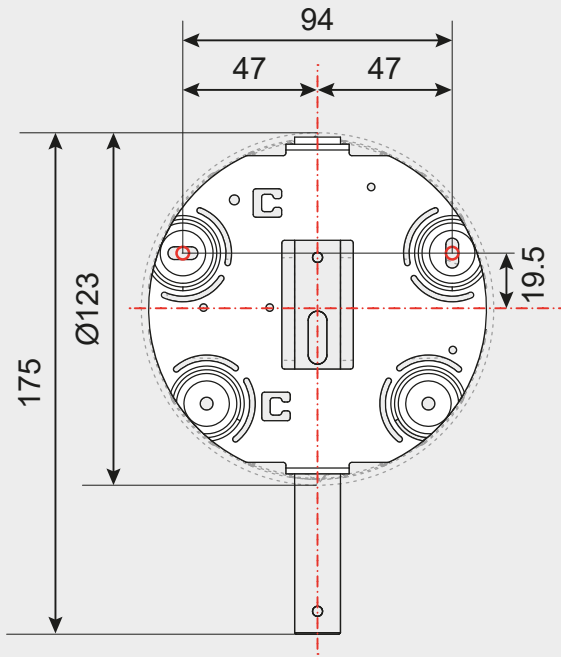


i

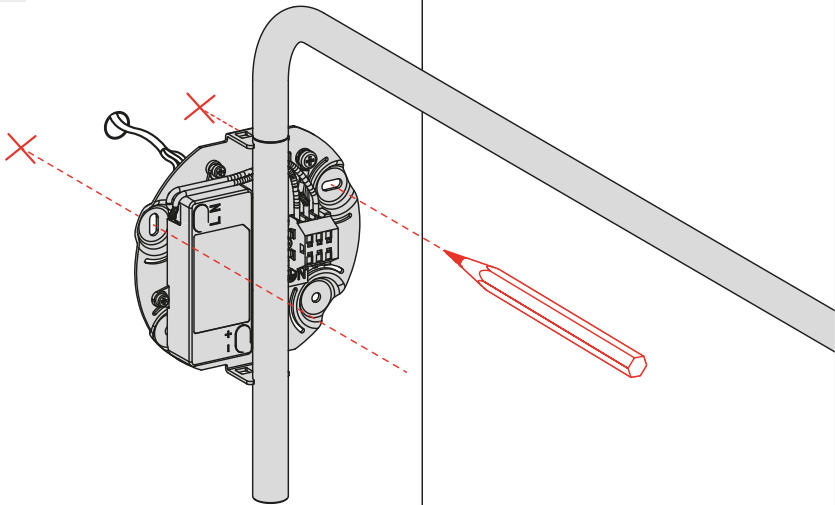
CE	IP20		UK CA	LED1
?	→		→	



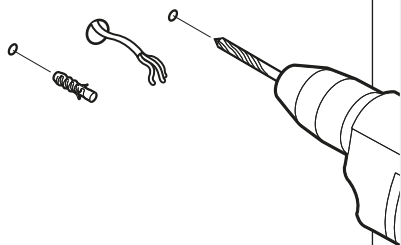
i



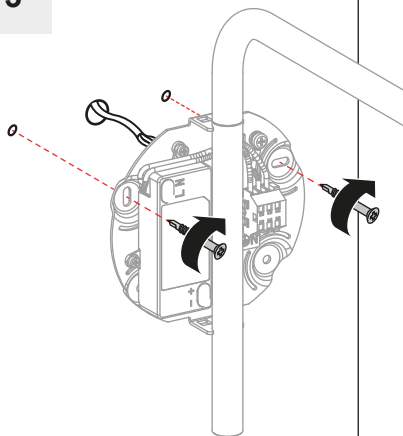
1



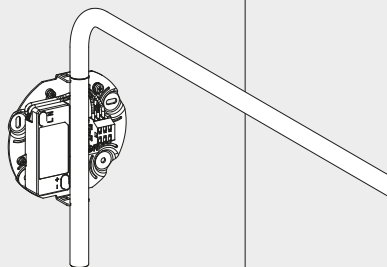
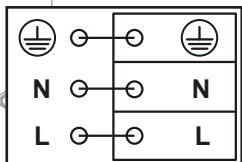
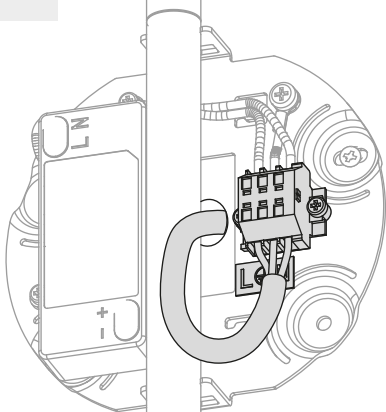
2



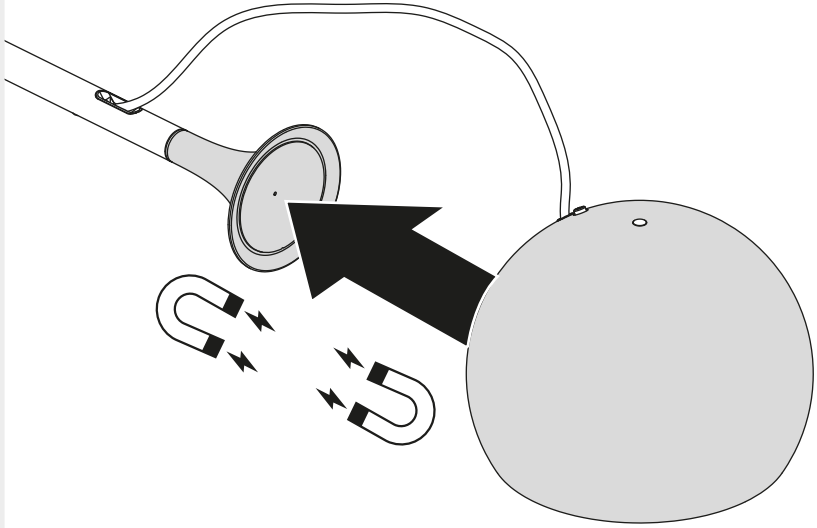
3



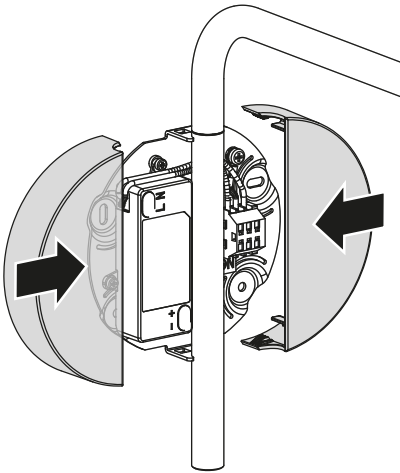
4



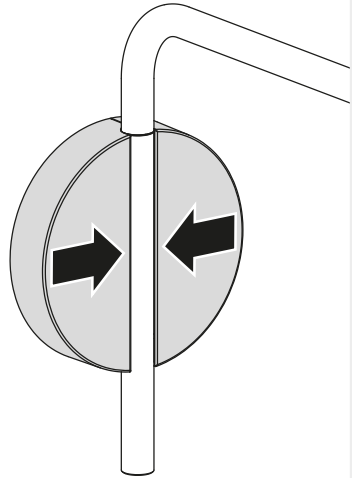
5



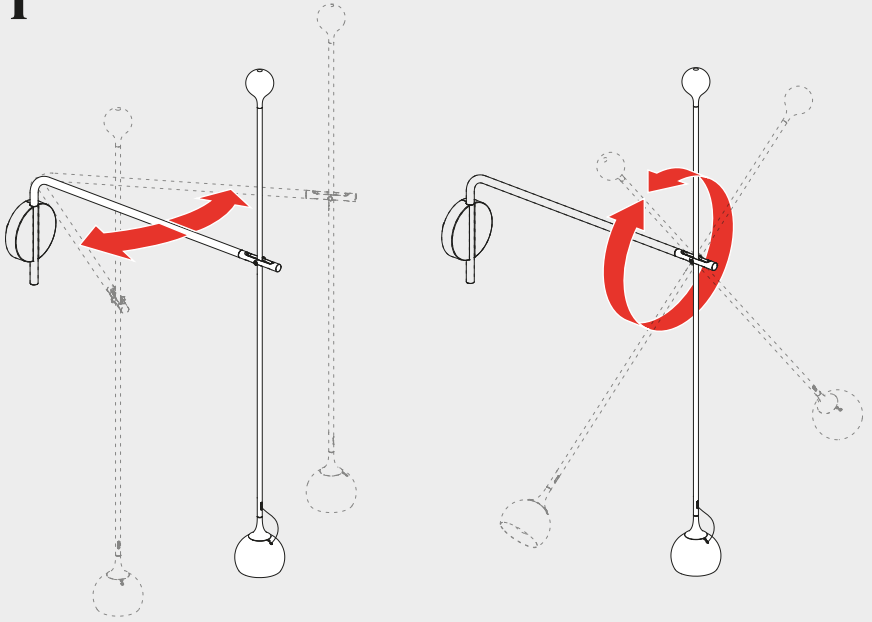
6



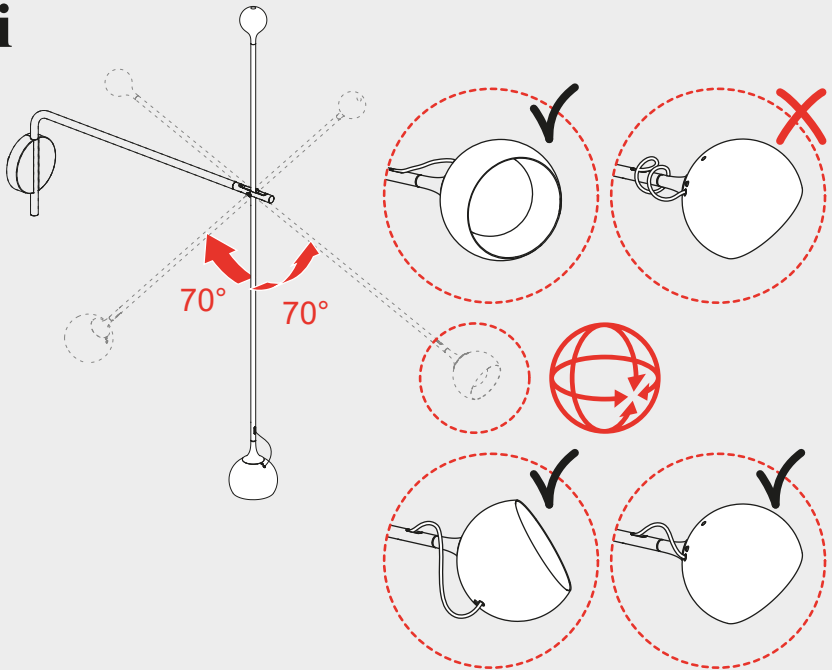
7

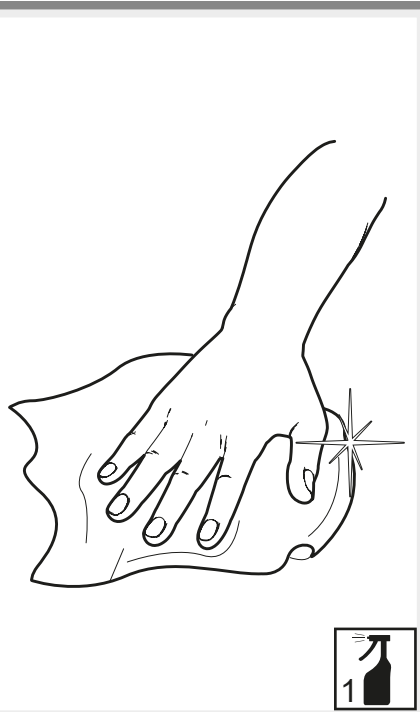
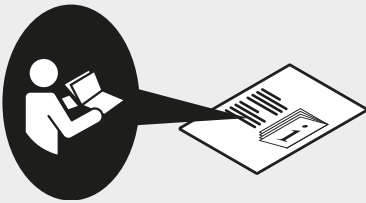
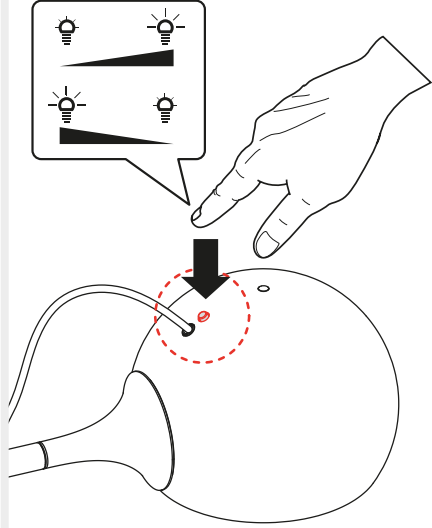
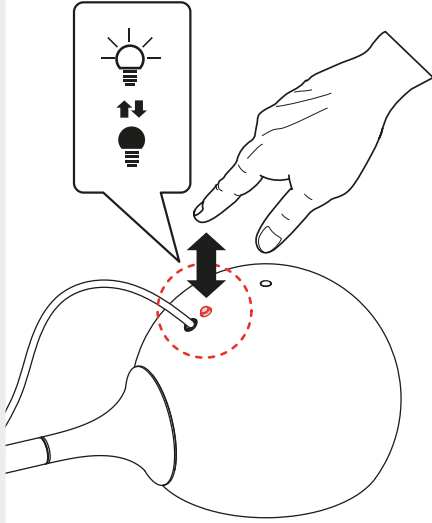


i

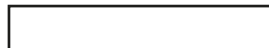


i





Artemide®



Artemide

via Bergamo, 18
20006 Pregnana M.se (MI)
ITALIA

tel. +39 02 935 181
fax +39 02 935 90 254
fax +39 02 935 90 496

www.artemide.com

VAT IT00846890150

cod. Y513001743