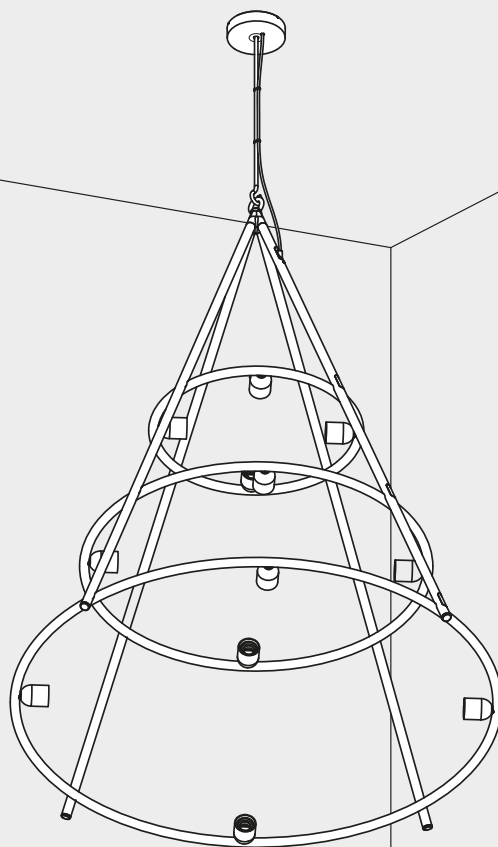


Artemide®

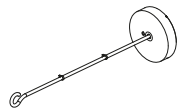
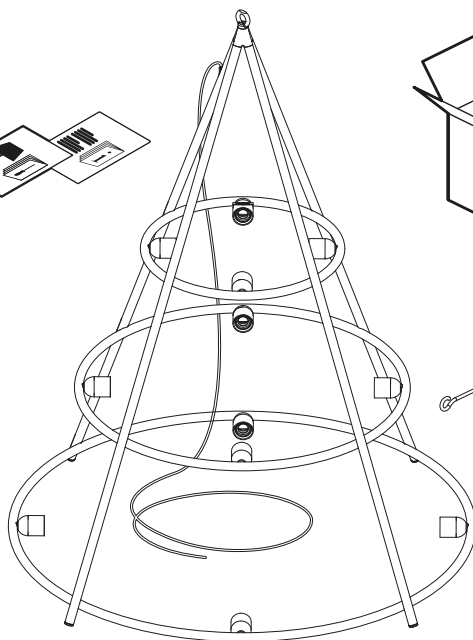
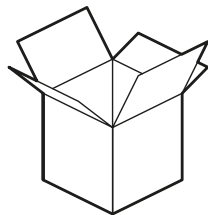
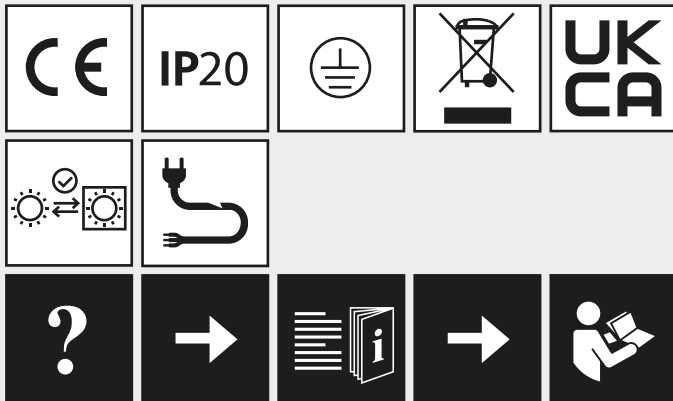
EL PORÍS

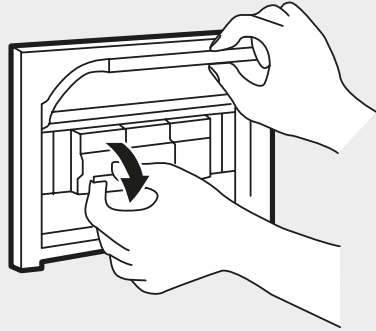
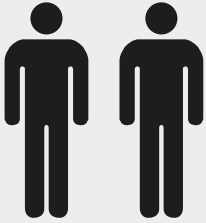
design
Herzog & de Meuron



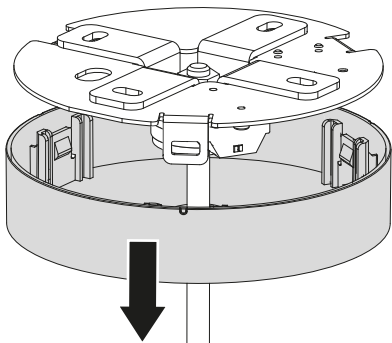


i

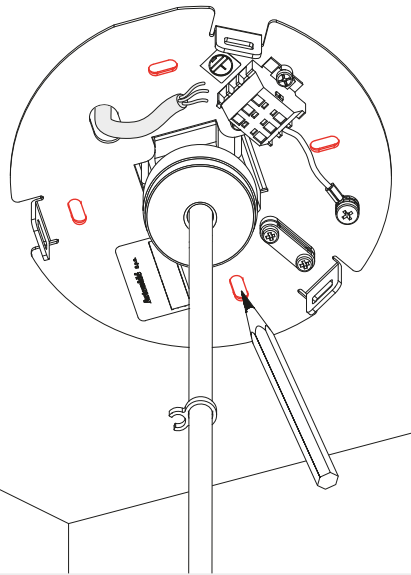




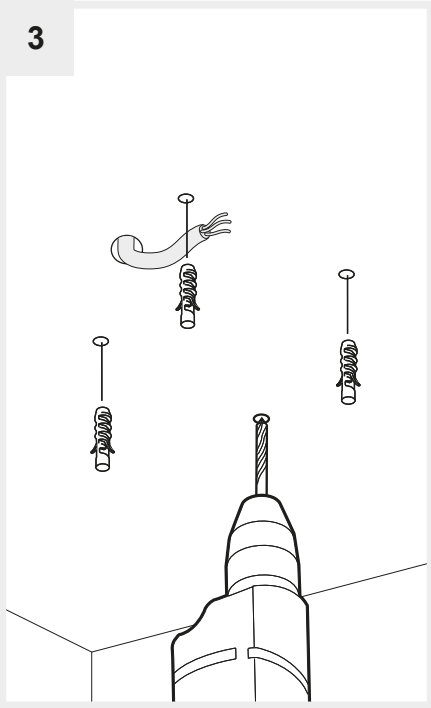
1



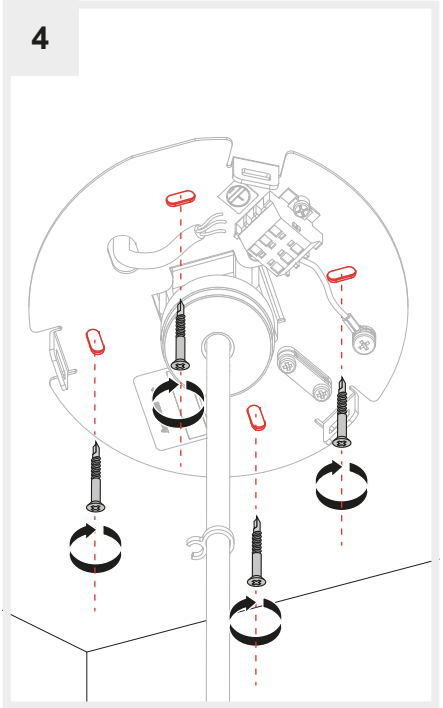
2



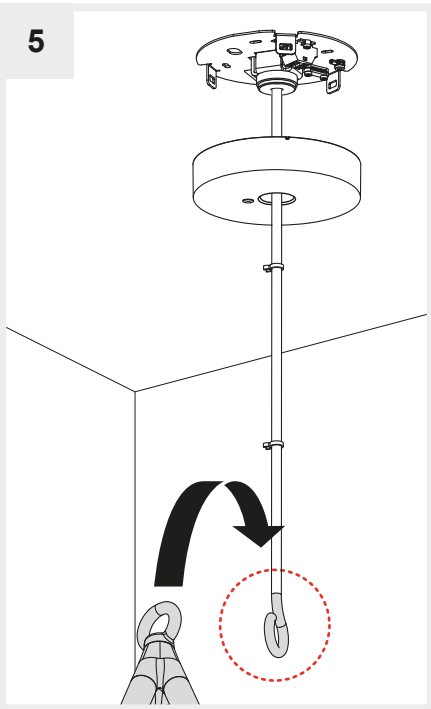
3



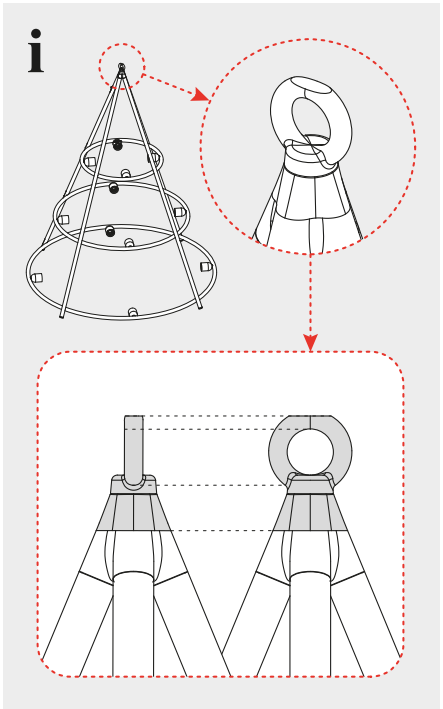
4



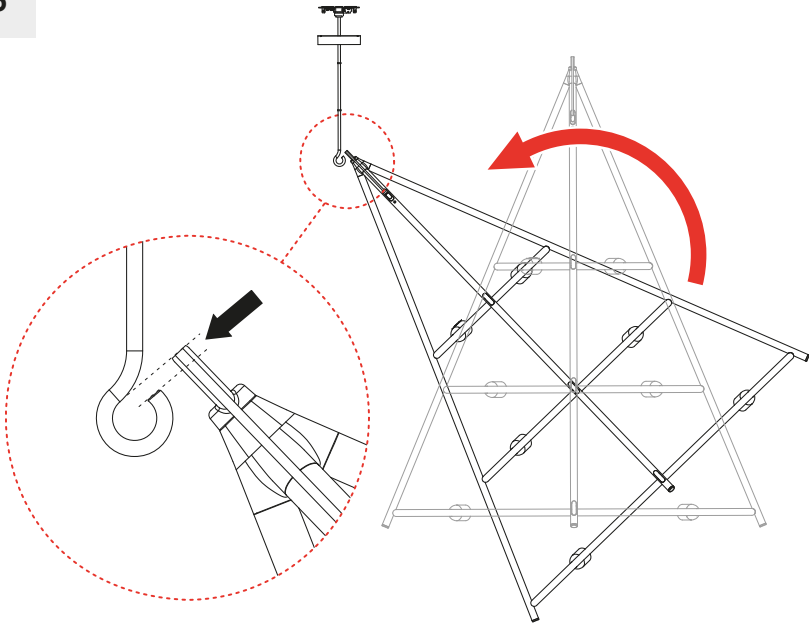
5



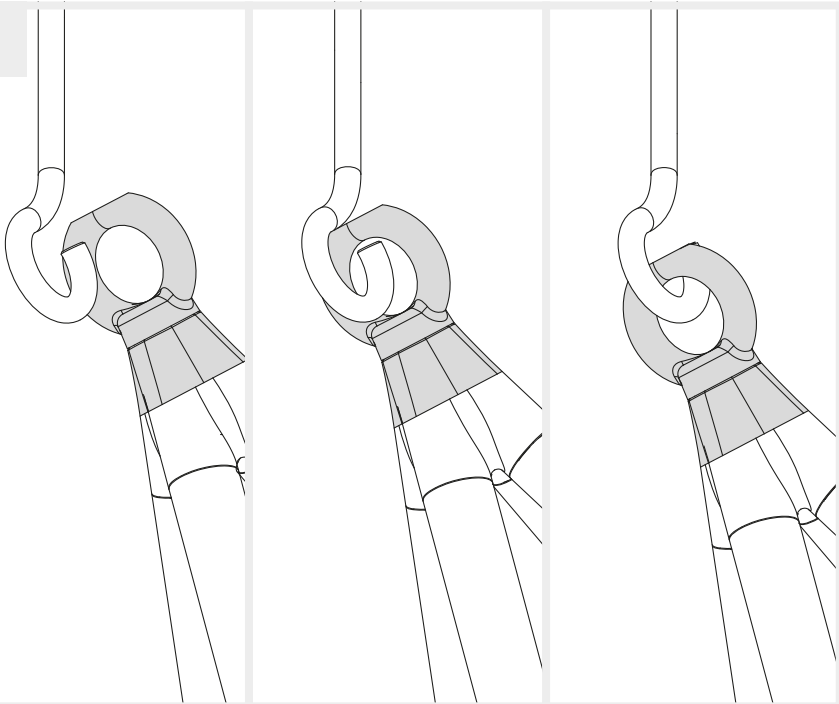
i

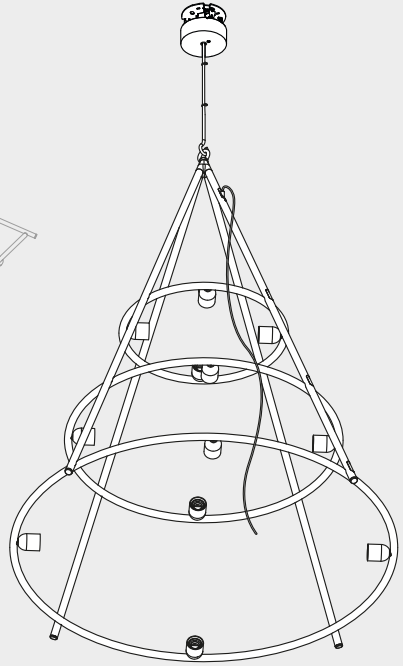
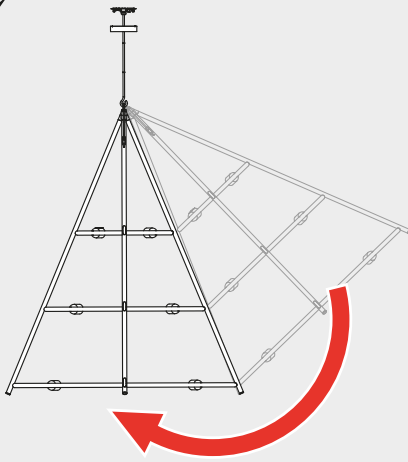


6

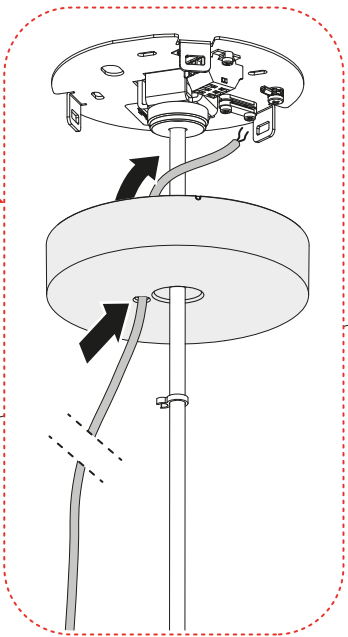
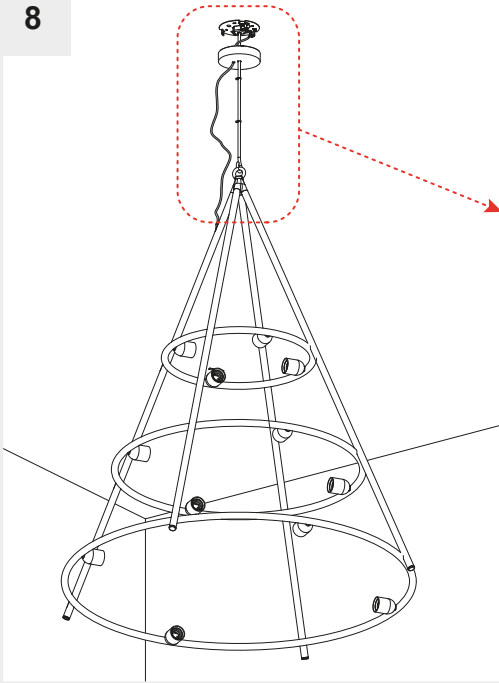


7

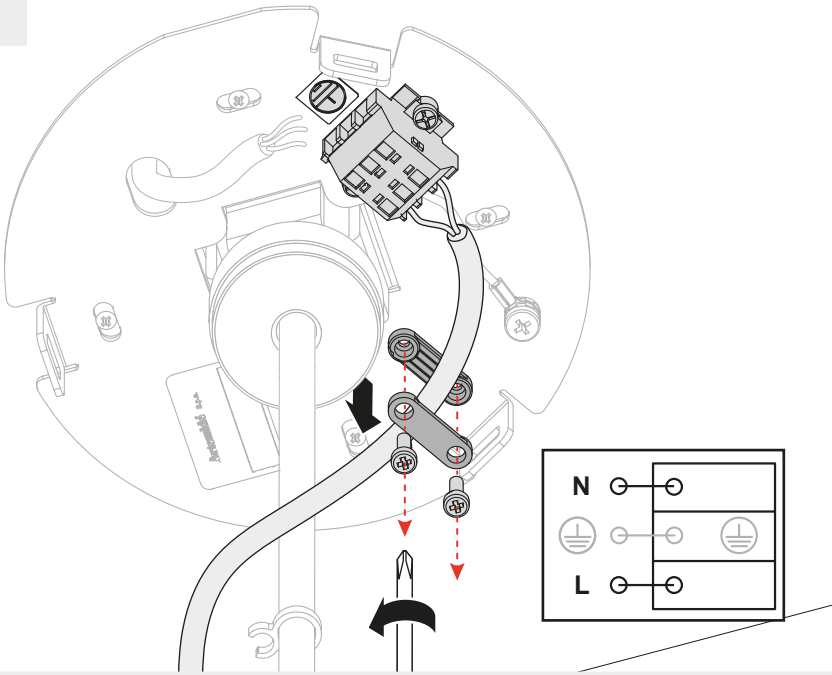




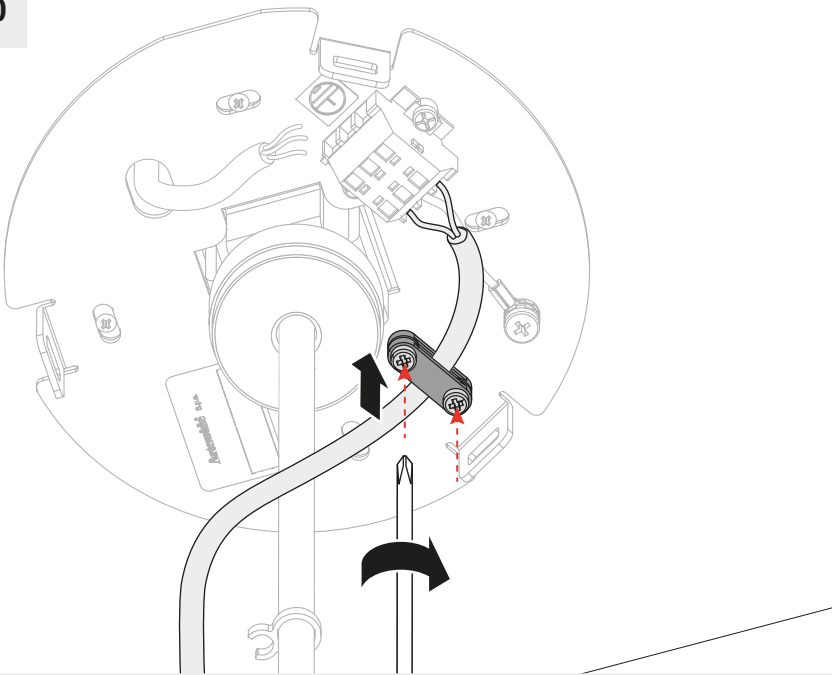
8



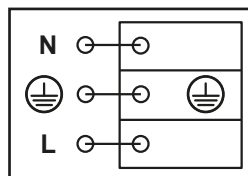
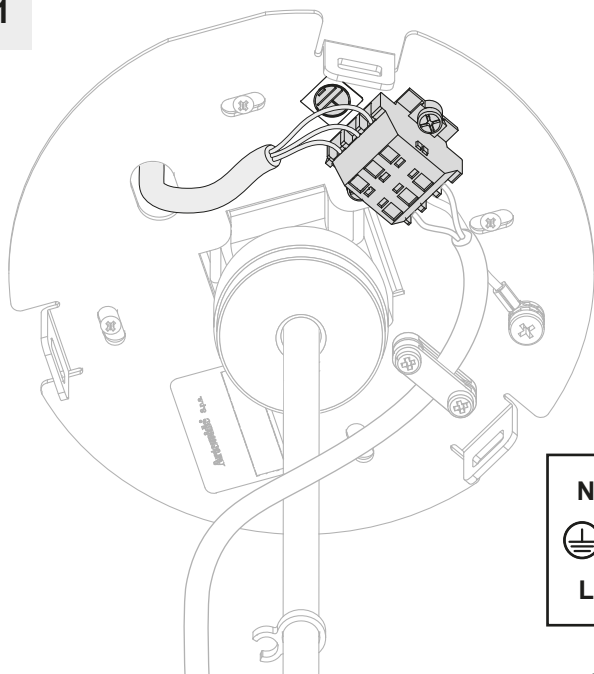
9



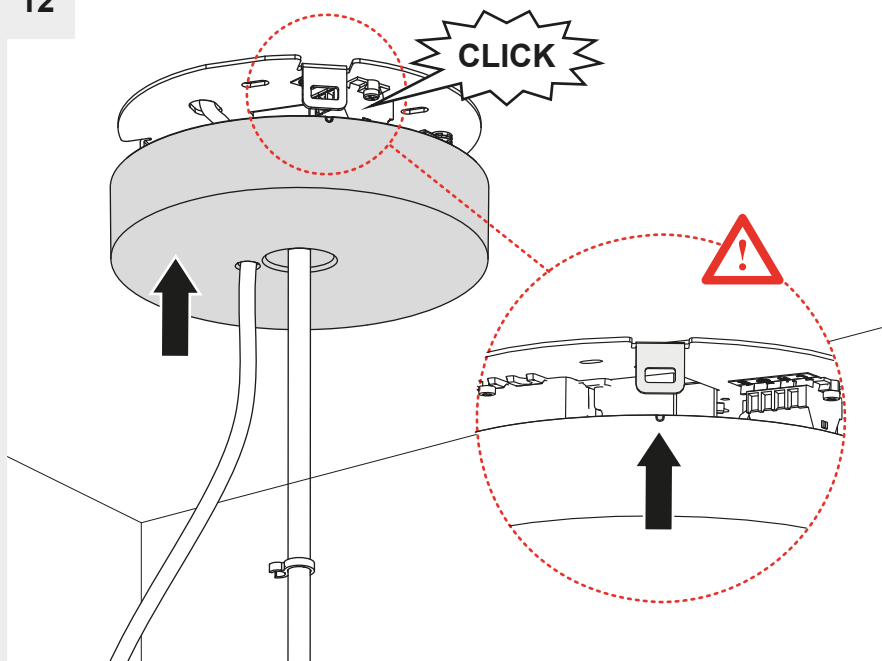
10



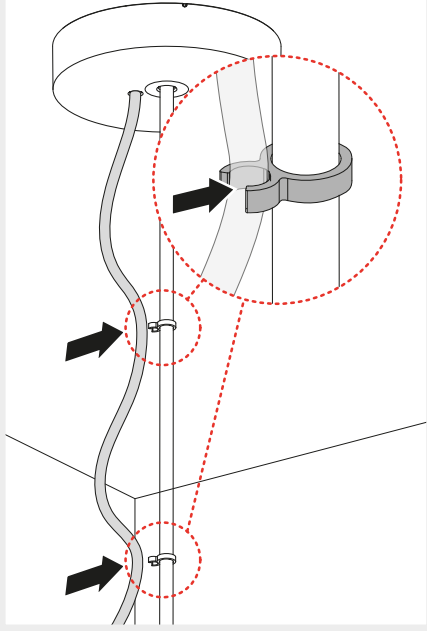
11



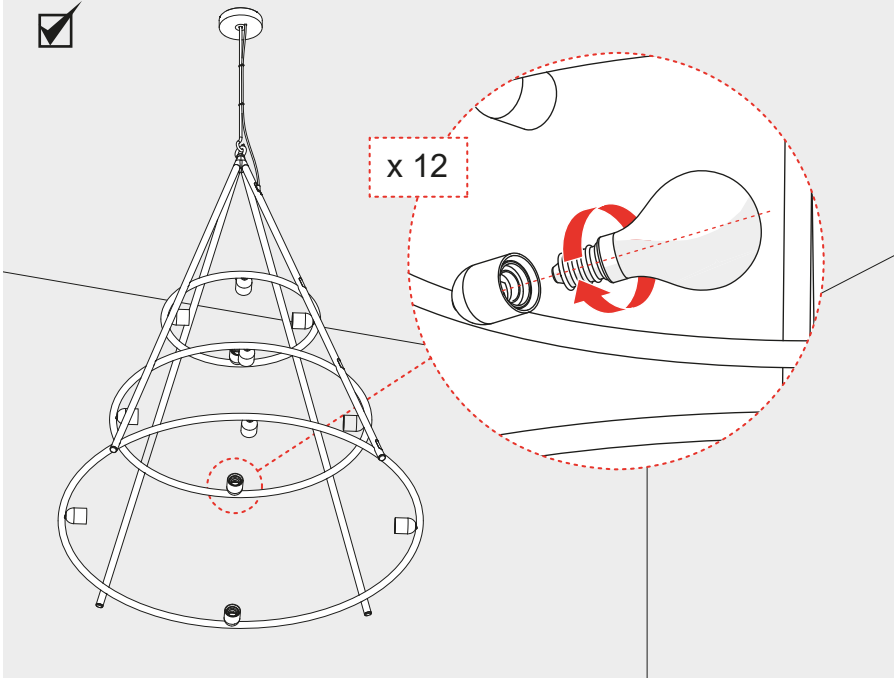
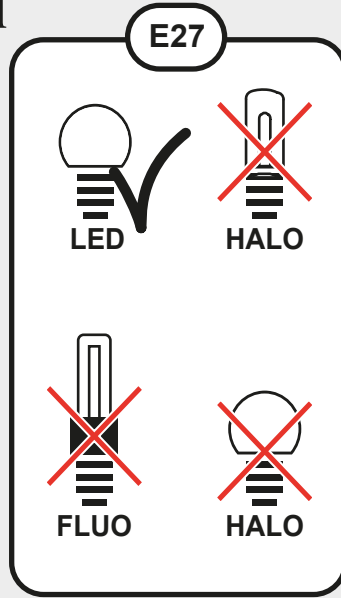
12

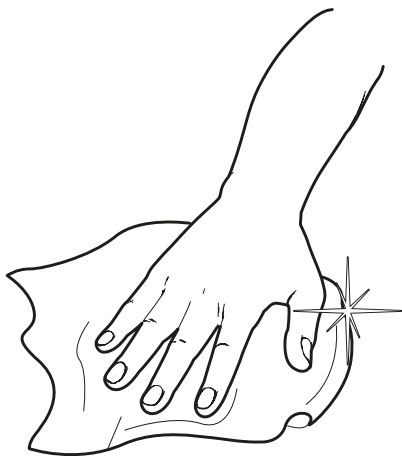


13

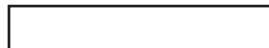


i





Artemide®



Artemide

via Bergamo, 18
20010 Pregnana M.se (MI)
ITALIA

tel. +39 02 935 181
fax +39 02 935 90 254
fax +39 02 935 90 496

www.artemide.com

VAT IT00846890150

cod. Y513001542A