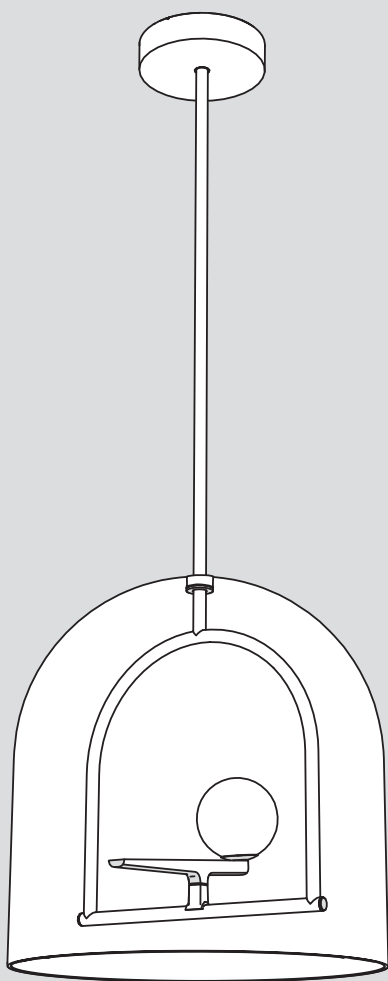


Artemide®

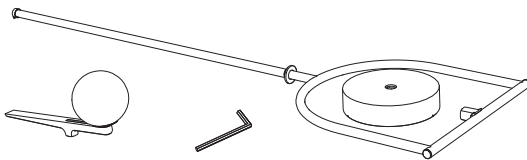
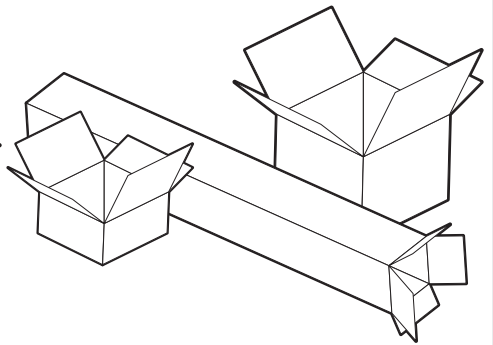
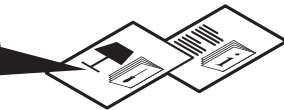
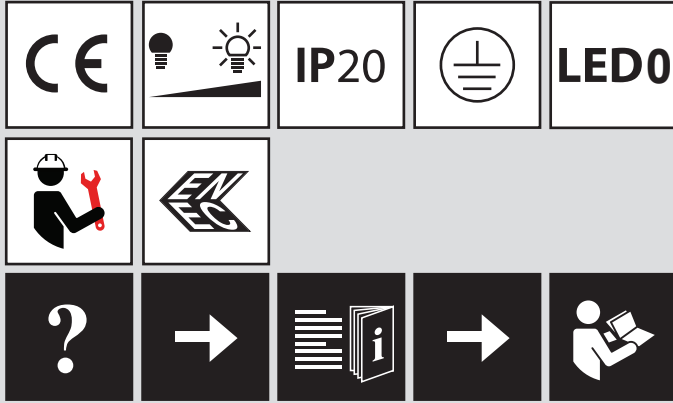
Yanzi

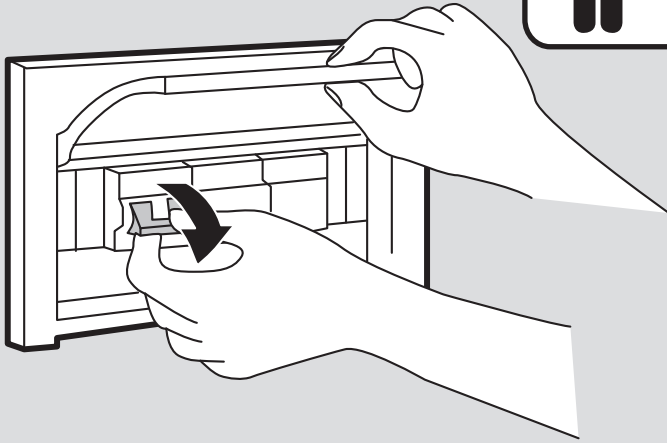
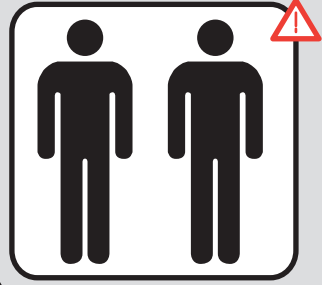
design
Neri & Hu



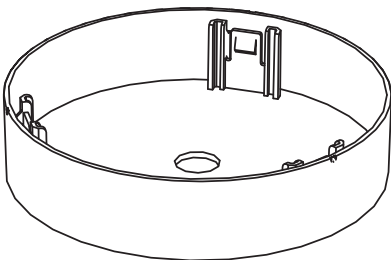
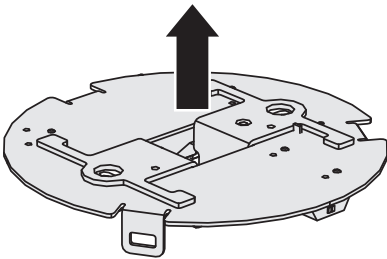


i

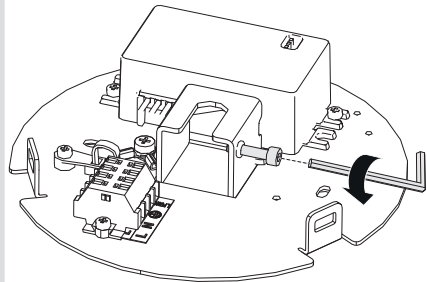




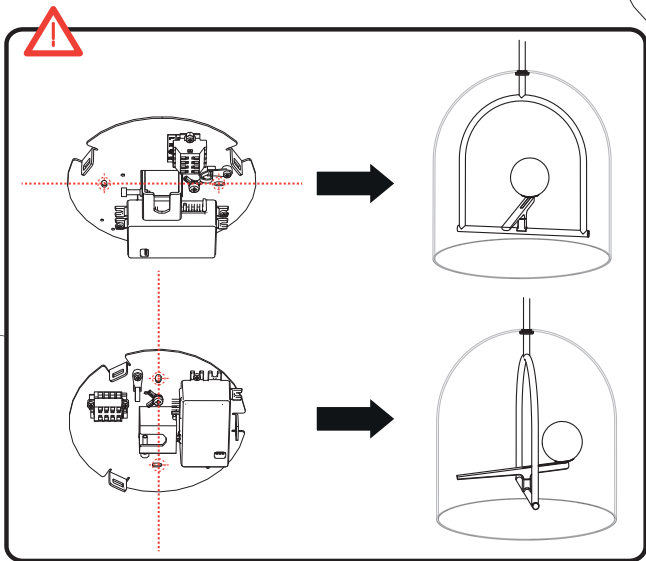
1



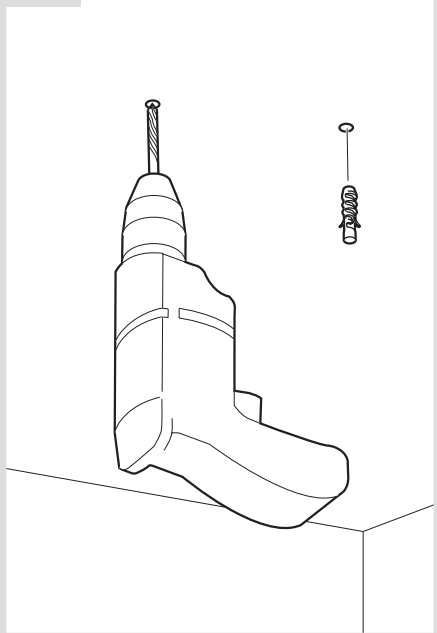
2



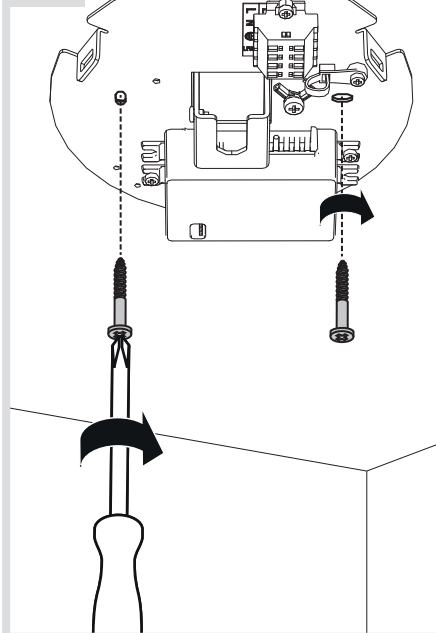
3



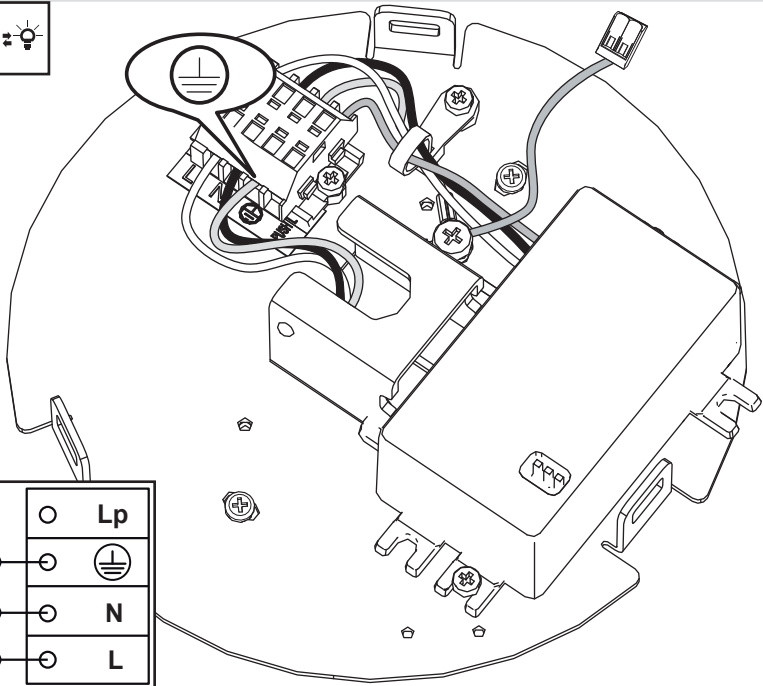
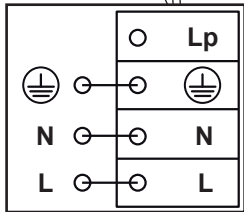
4



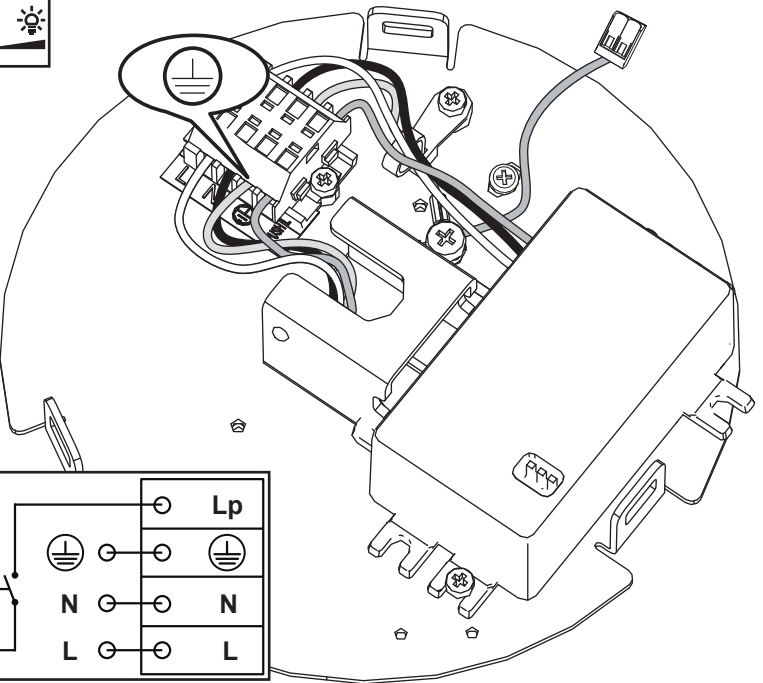
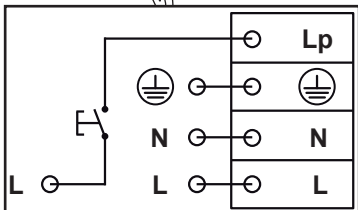
5

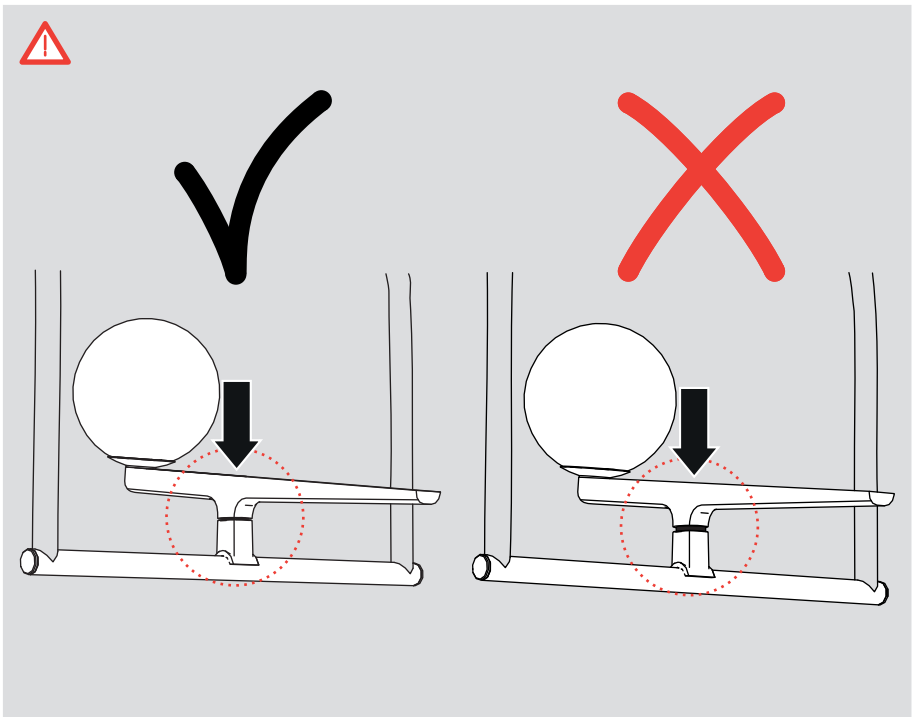
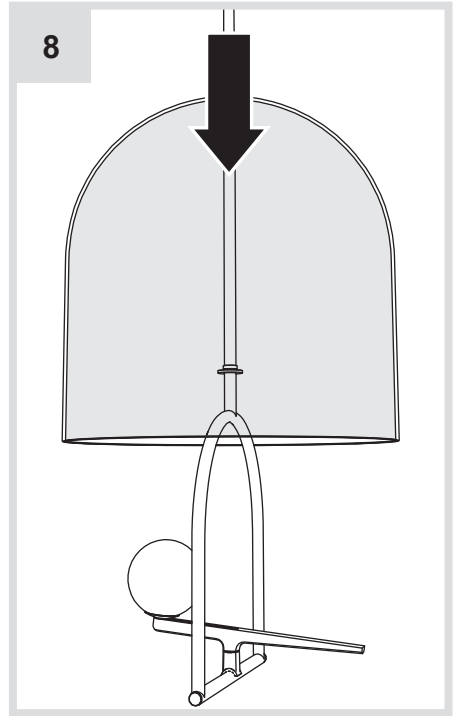
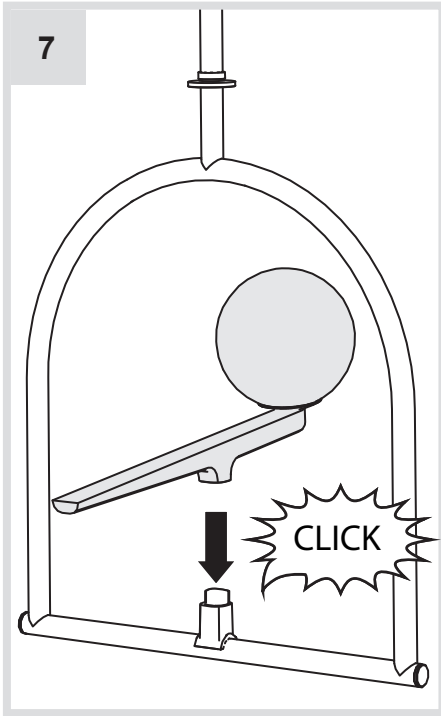


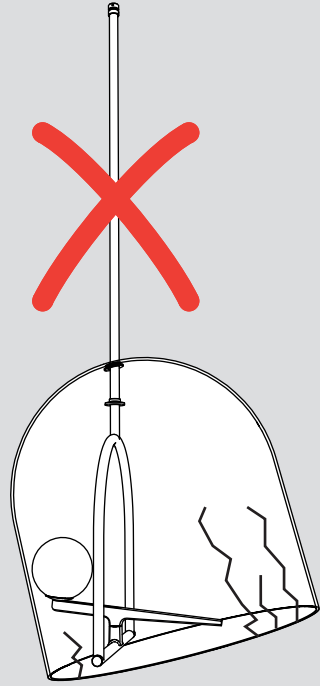
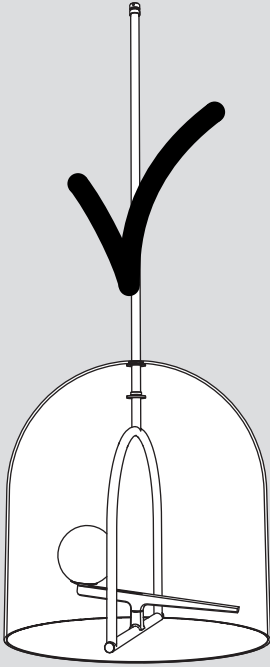
6a



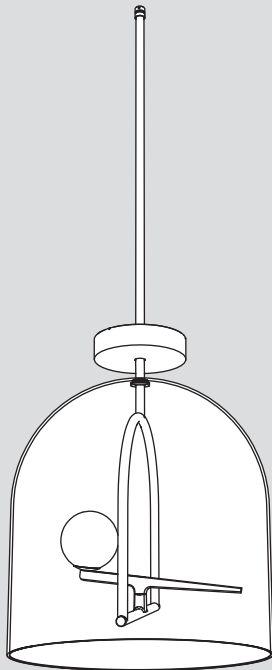
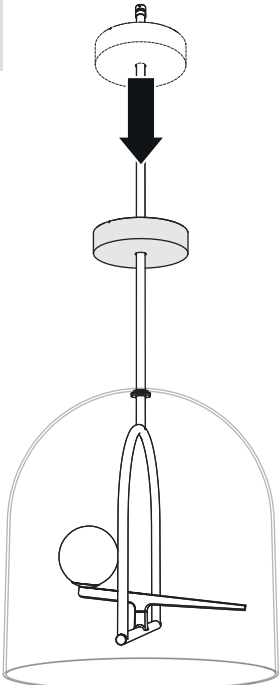
6b



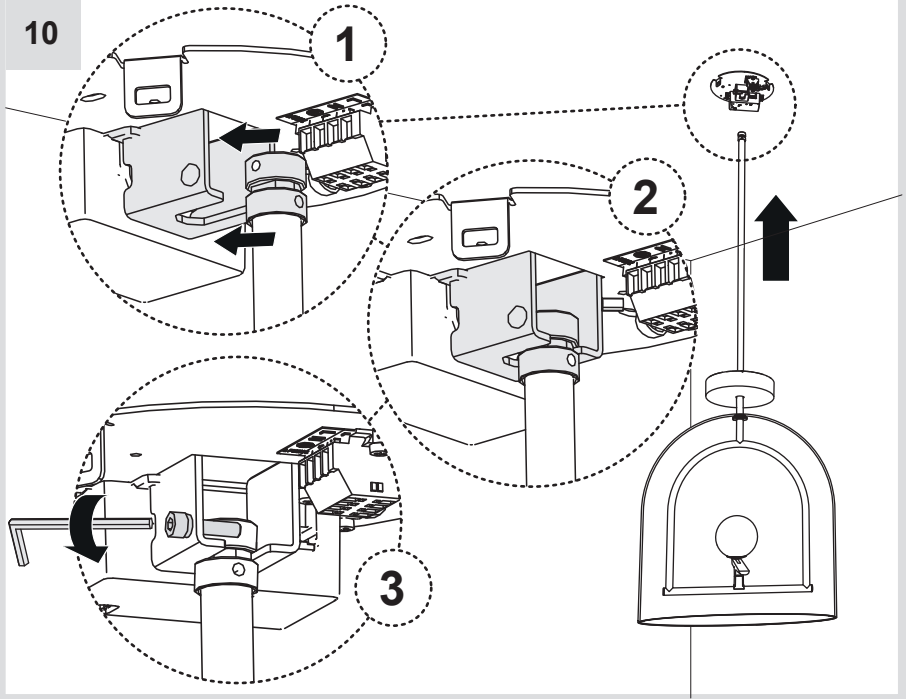




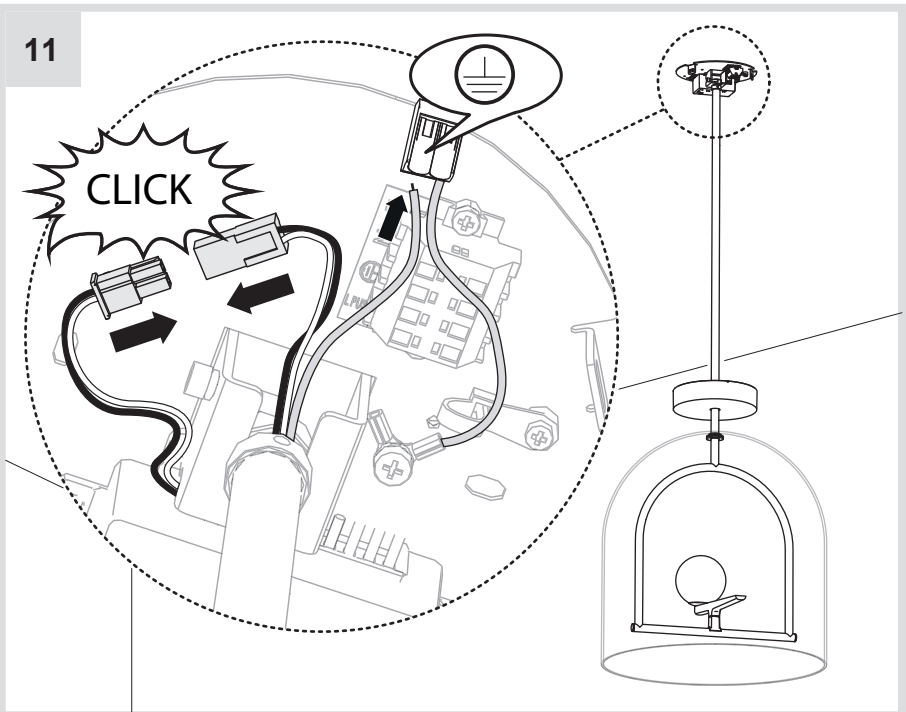
9



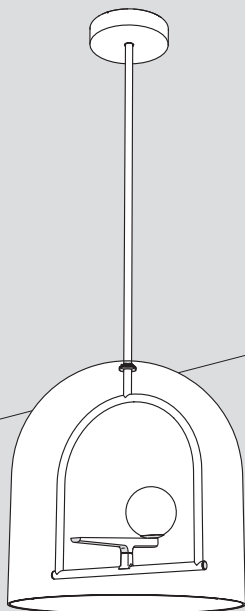
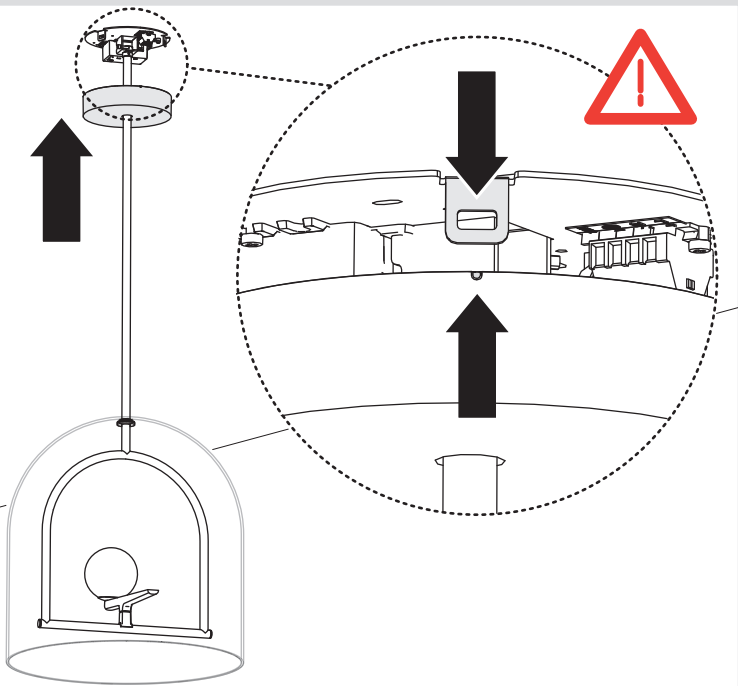
10

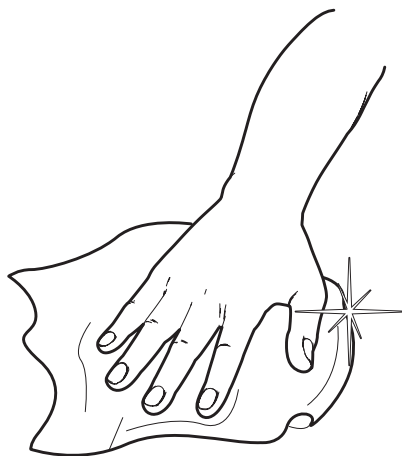


11

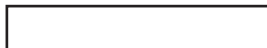


12





Artemide®



Artemide

via Bergamo, 18
20010 Pregnana M.se (MI)
ITALIA

tel. +39 02 935 181
fax +39 02 935 90 254
fax +39 02 935 90 496

www.artemide.com

VAT IT00846890150

cod. Y513000883C