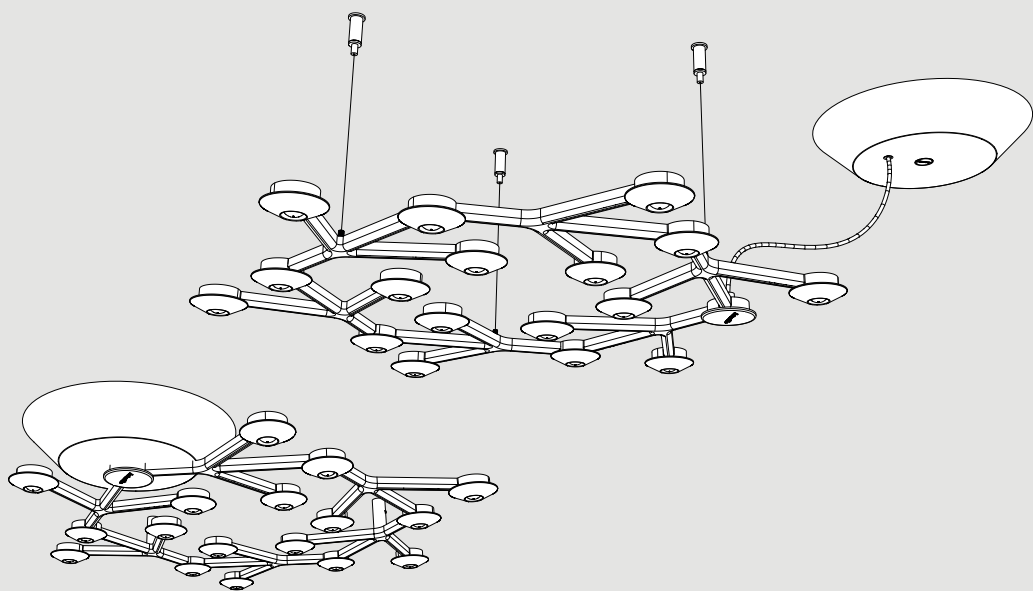


Artemide®

Led net Circolare

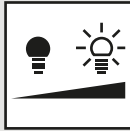
design
M. De Lucchi





i

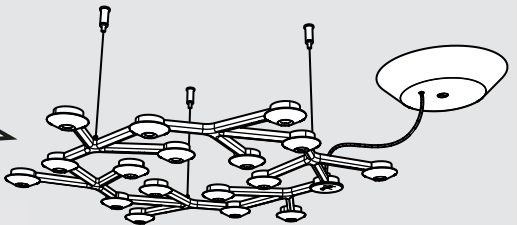
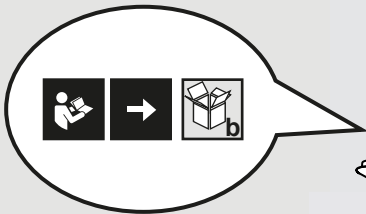
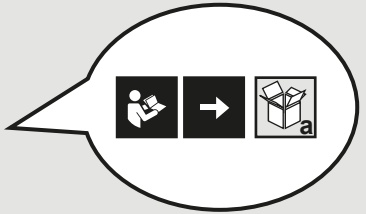
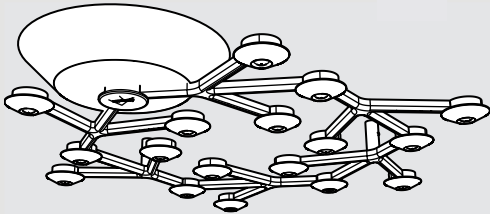
IP20

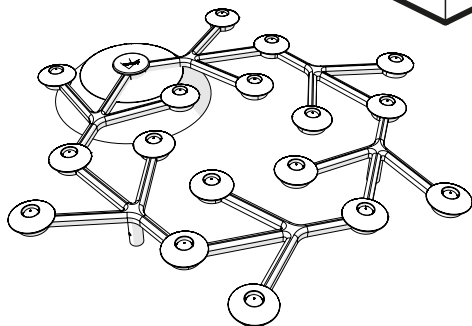
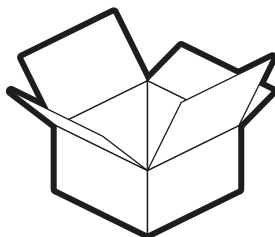
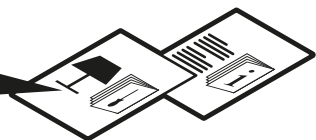


LED 0

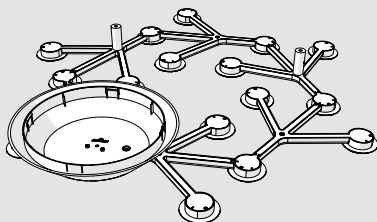
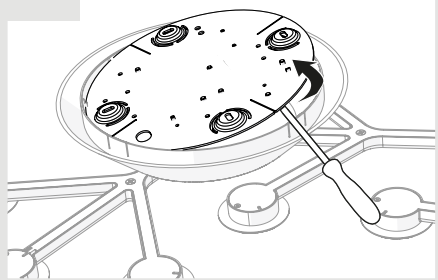


Artemide App
Quick Starting Guide

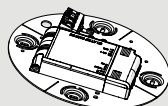
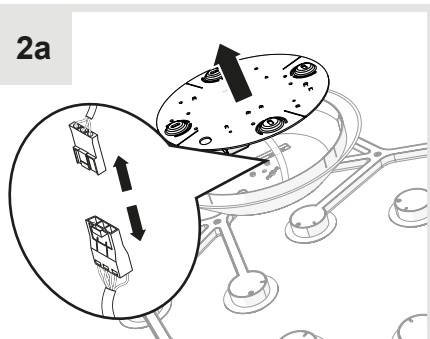




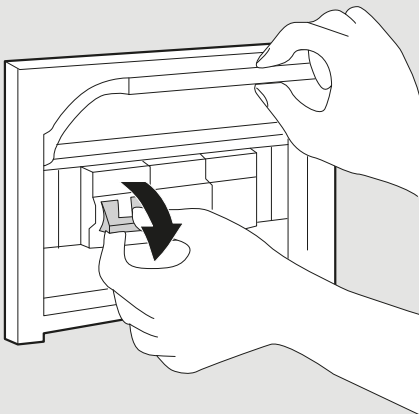
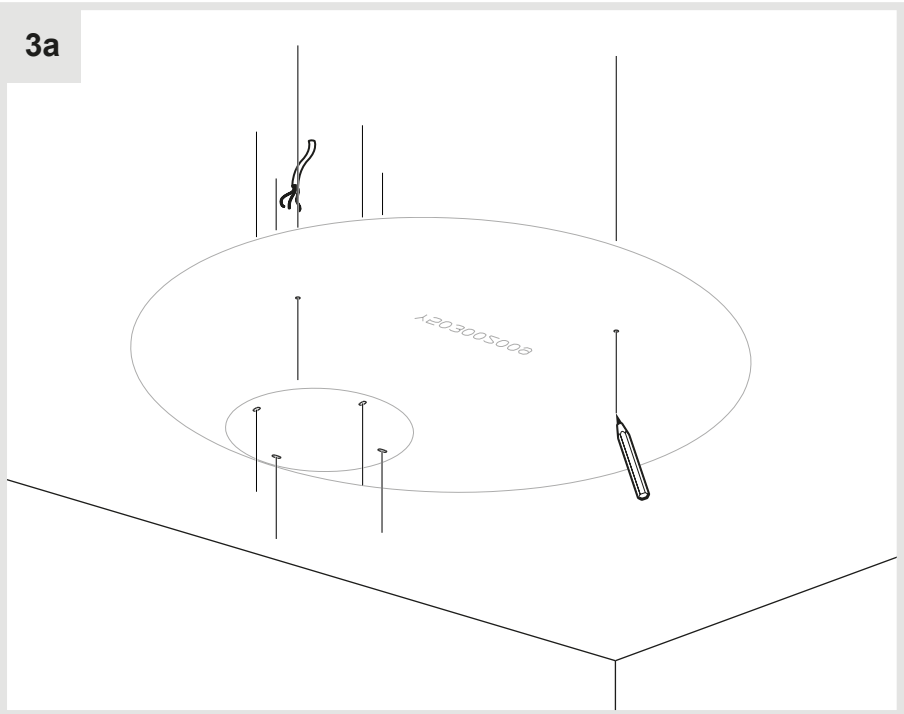
1a



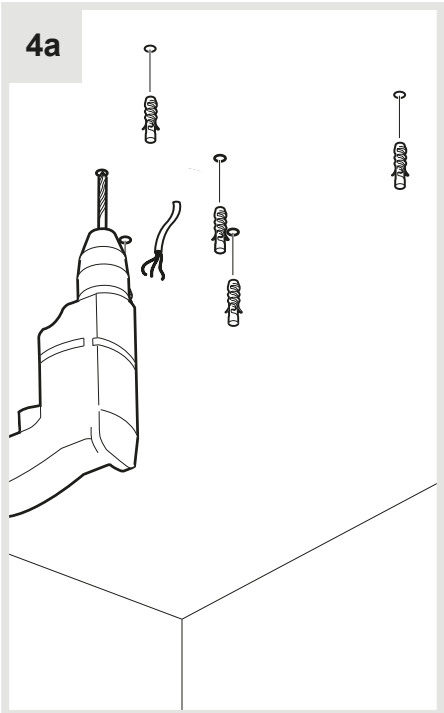
2a



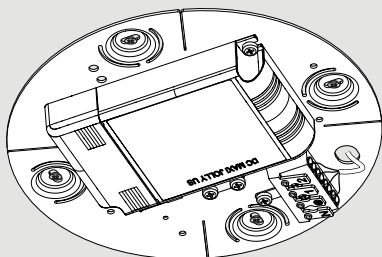
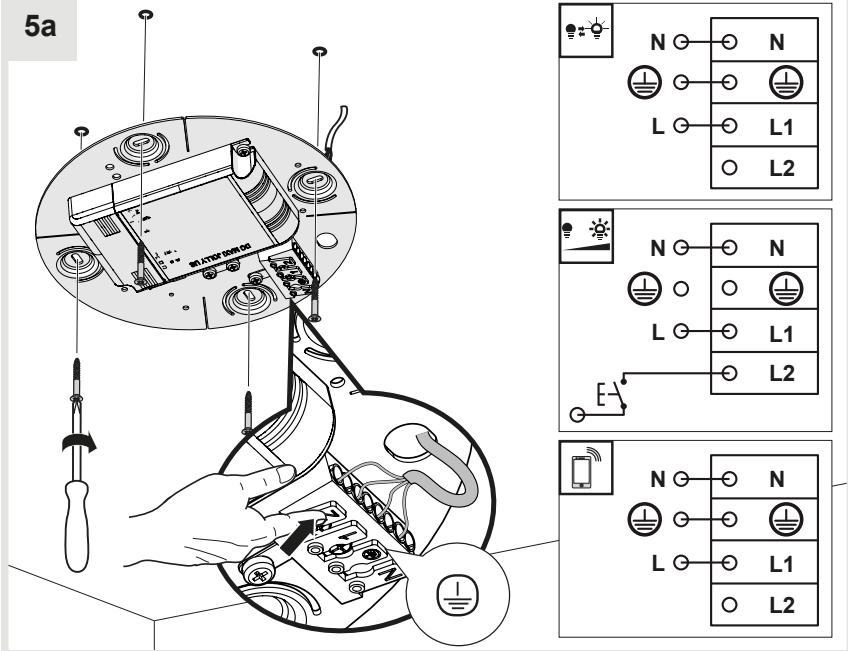
3a



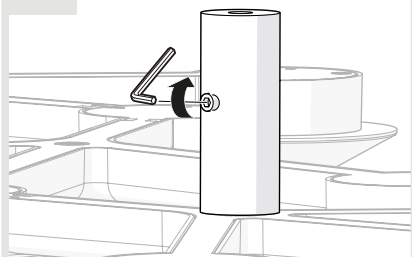
4a



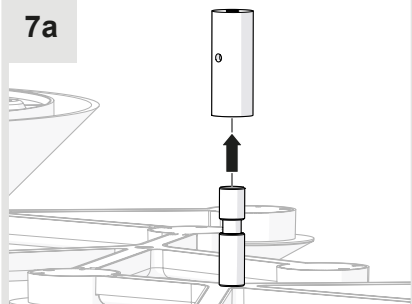
5a



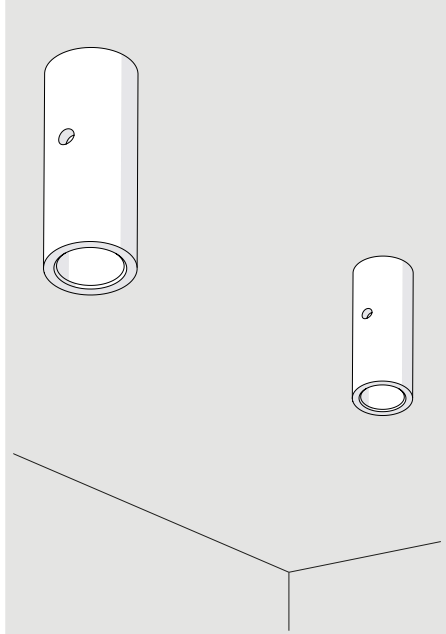
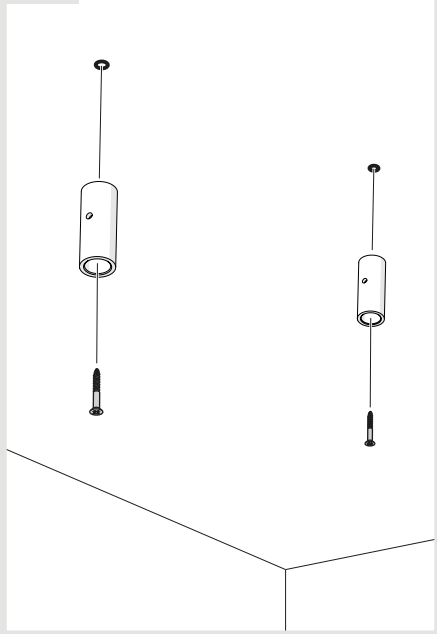
6a



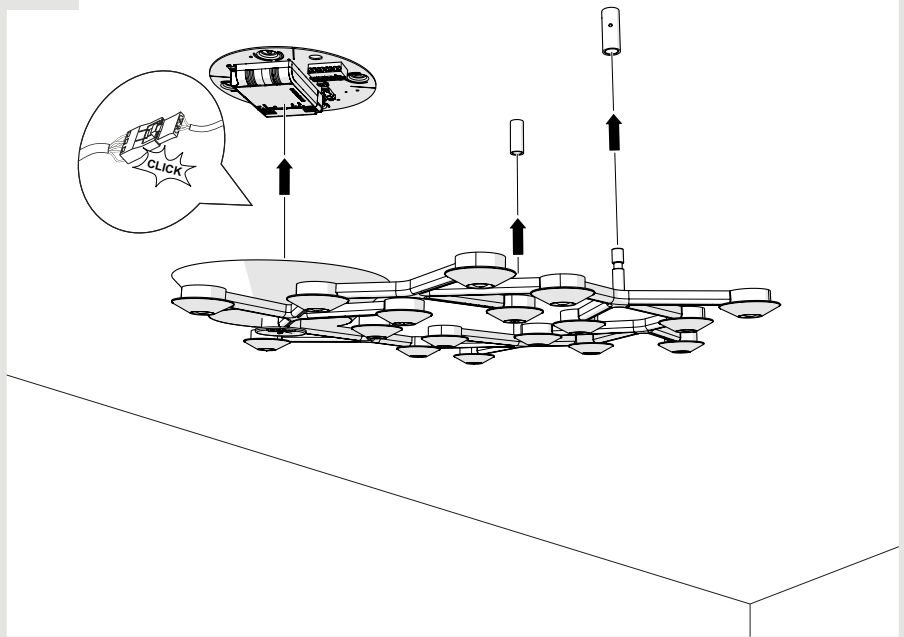
7a



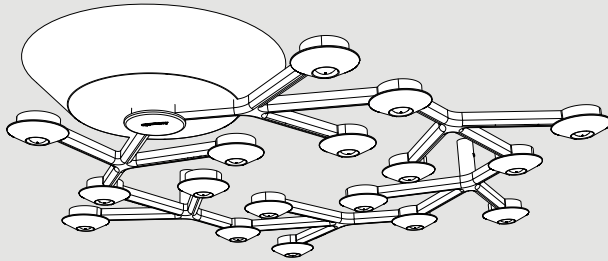
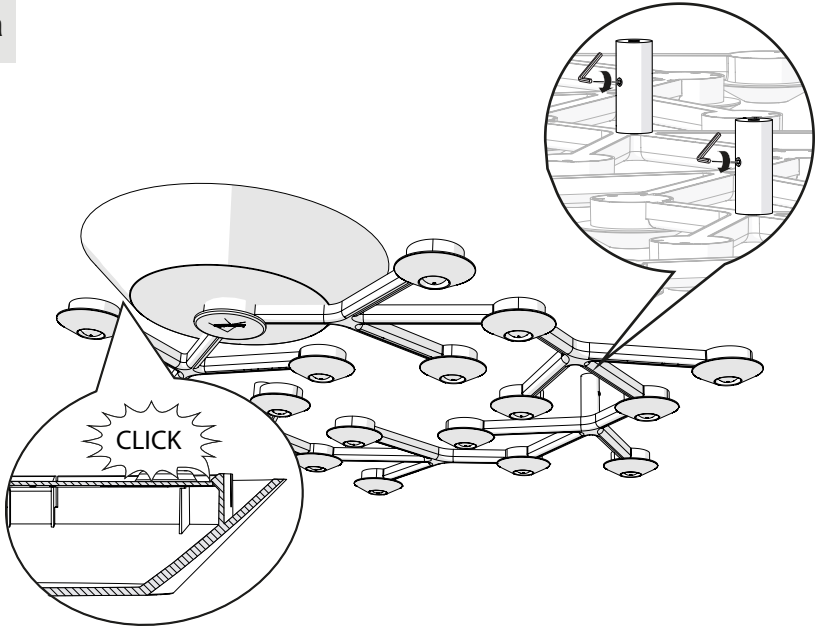
8a

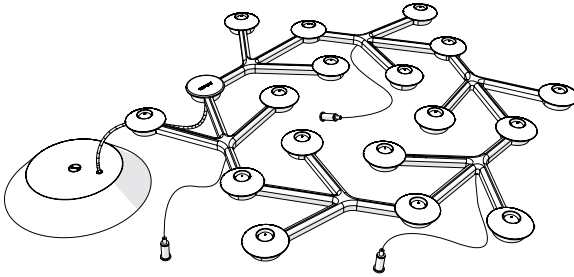
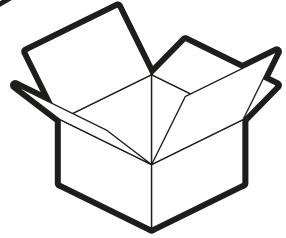
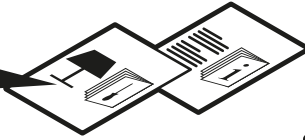


9a

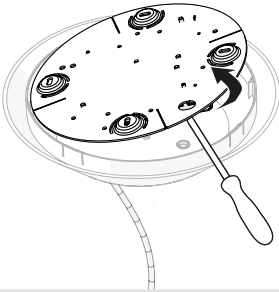


10a

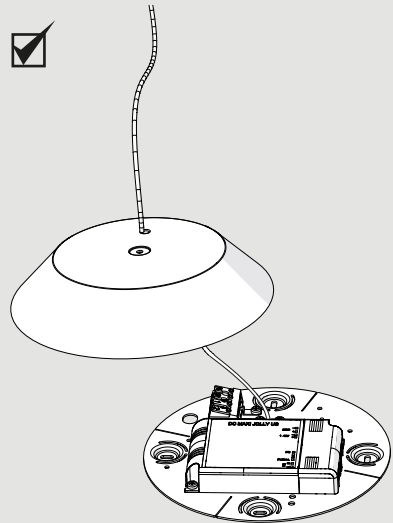
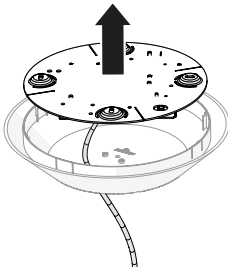


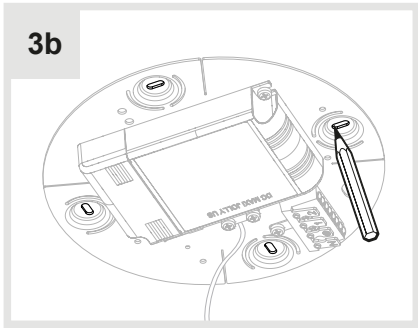
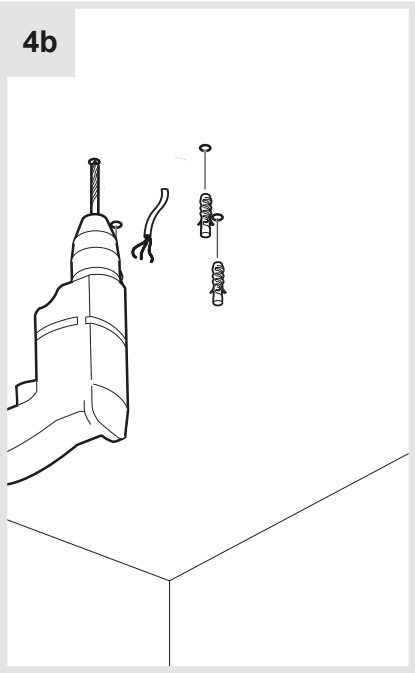
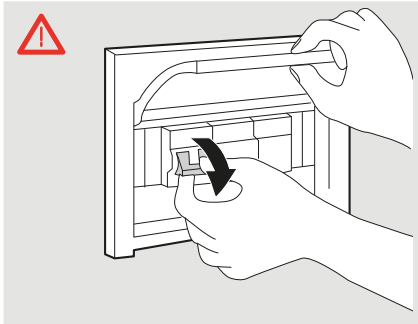


1b



2b





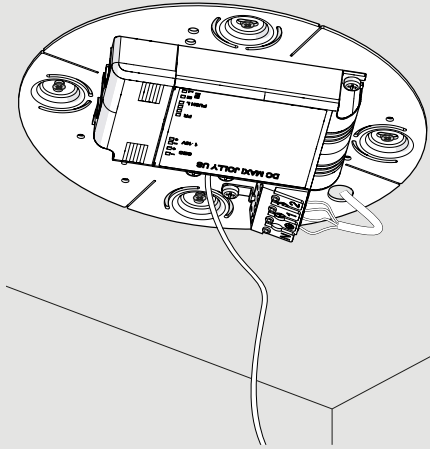
5b

The main illustration shows a hand using a screwdriver to connect wires to a terminal block on the PCB. A separate terminal block is shown below with a ground symbol. The PCB is labeled "SH-AT20P-020R-020".

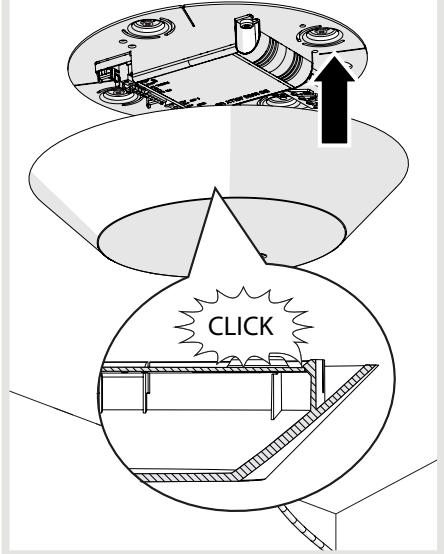
	N	G	⊖	N
		G	⊖	⊖
	L	G	⊖	L1
			⊖	L2

	N	G	⊖	N
			⊖	⊖
	L	G	⊖	L1
			⊖	L2
E				

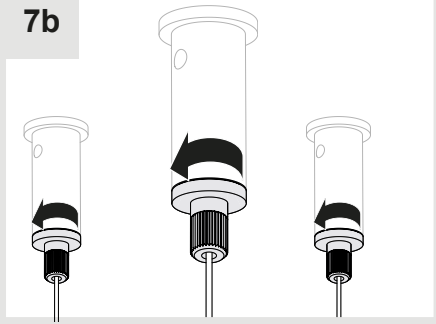
	N	G	⊖	N
		G	⊖	⊖
	L	G	⊖	L1
			⊖	L2



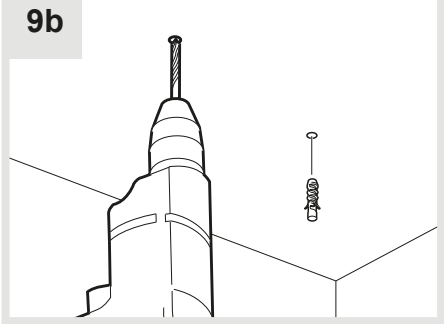
6b



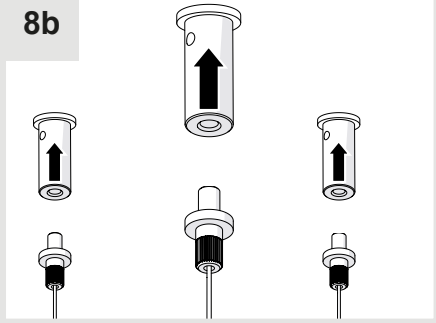
7b



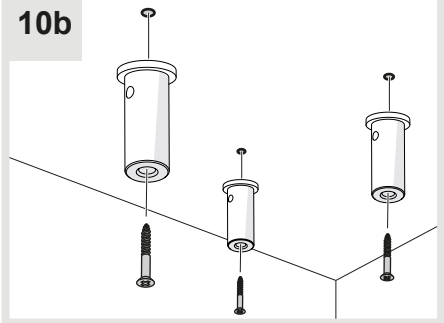
9b

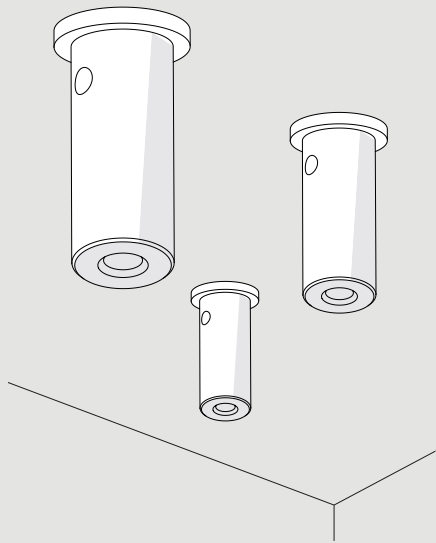


8b

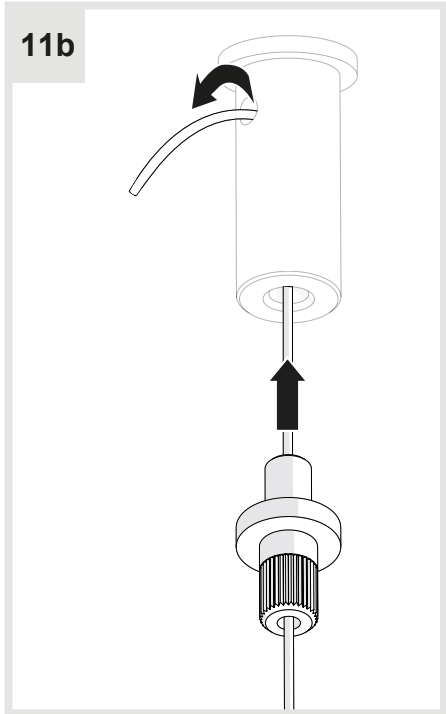


10b

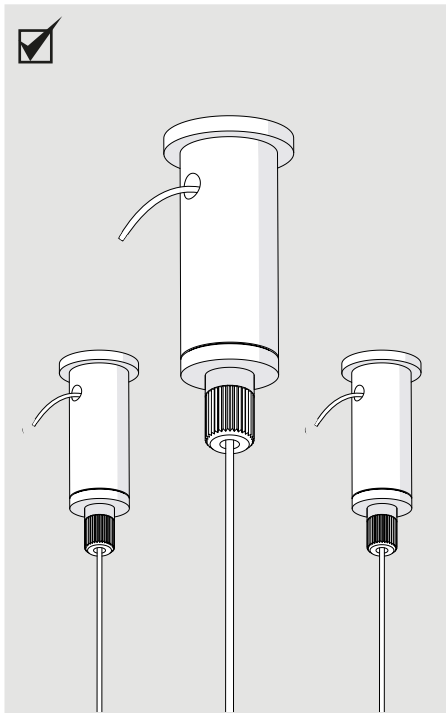
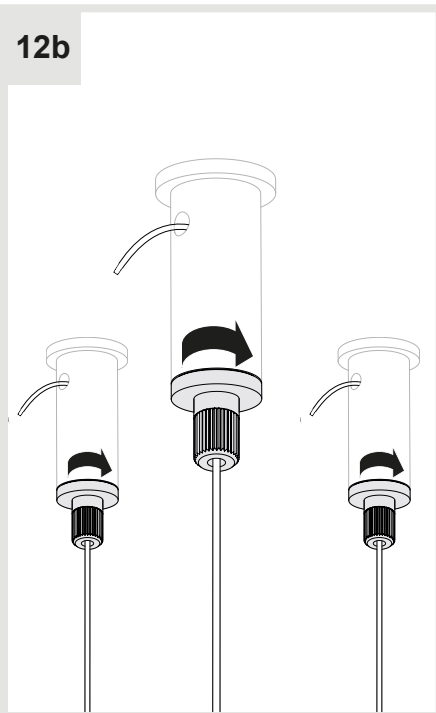




11b



12b





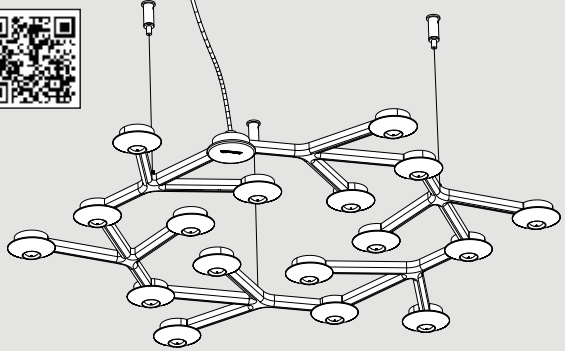
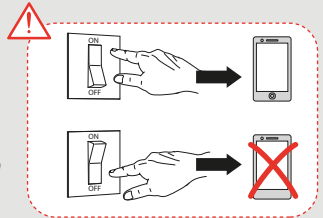
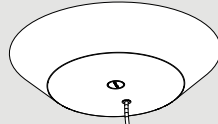
GET IT ON
Google Play

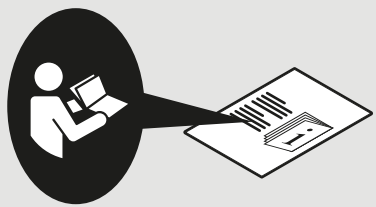


Download on the
App Store



Artemide App
Quick Starting Guide





Artemide®



Artemide

via Bergamo, 18
20010 Pregnana M.se (MI)
ITALIA

tel. +39 02 935 181
fax +39 02 935 90 254
fax +39 02 935 90 496

www.artemide.com

VAT IT00846890150

cod. Y513000205D