

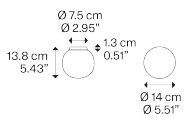
Volum,
Design by Snøhetta

Model Volum 14

Volum is an exclusive series of glass lamps that are poetically simple yet complex in their technical execution. The four blown glass globes with glossy white finish come in different sizes measuring 14, 22, 29 and 42 cm in diameter. Thanks to their inherently distinct shapes, they intuitively complement one another to form unique compositions.



Volum 14



Light source

E14 LED
1 x 15 W
Ø max 5 cm – 1.96"
W / L max
9 cm – 3.54"

Bulb not included

Structure: Silicone

Translucent

Diffuser: Blown glass

Polished White

Code

18741 1200

Net weight: 0.74 kg

Parcels: 2



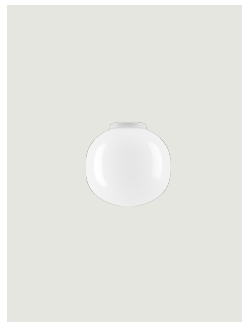
IP54

Energy Saving

Dim Triac



Options of Volum



Volum 22

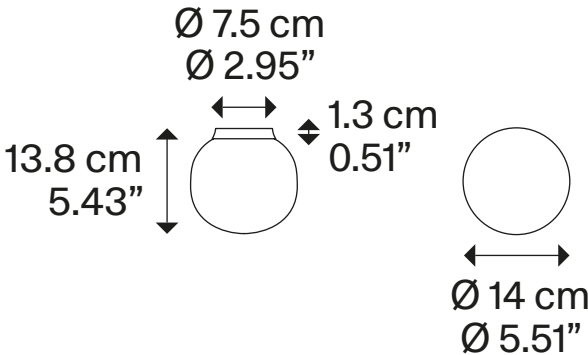


Volum 29



Volum 42

LODES



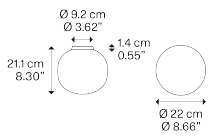
Volum,
Design by Snøhetta

Model Volum 22

Volum is an exclusive series of glass lamps that are poetically simple yet complex in their technical execution. The four blown glass globes with glossy white finish come in different sizes measuring 14, 22, 29 and 42 cm in diameter. Thanks to their inherently distinct shapes, they intuitively complement one another to form unique compositions.



Volum 22



Light source

E27 LED
1 x 25 W
Ø max 5 cm – 1.96"
W / L max 12.5 cm – 4.92"

Bulb not included

Structure: Silicone

Translucent

Diffuser: Blown glass

Polished White

Code

18742 1200

Net weight: 1.15 kg

Parcels: 2



IP54

Energy Saving

Dim Triac



Options of Volum



Volum 14

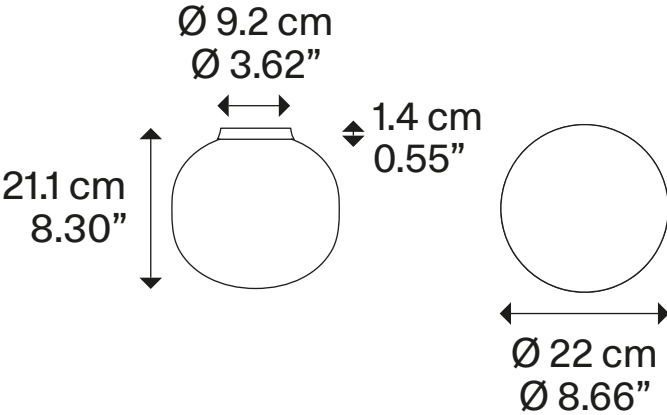


Volum 29



Volum 42

LODES



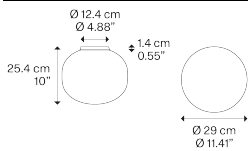
Volum,
Design by Snøhetta

Model Volum 29

Volum is an exclusive series of glass lamps that are poetically simple yet complex in their technical execution. The four blown glass globes with glossy white finish come in different sizes measuring 14, 22, 29 and 42 cm in diameter. Thanks to their inherently distinct shapes, they intuitively complement one another to form unique compositions.



Volum 29



Light source

E27 LED
1 x 25 W
Ø max 8.5 cm – 3.34"

Bulb not included

Structure: Silicone

Translucent

Diffuser: Blown glass

Polished White

Code

18743 1200

Net weight: 2.16 kg

Parcels: 2



IP54

Energy Saving

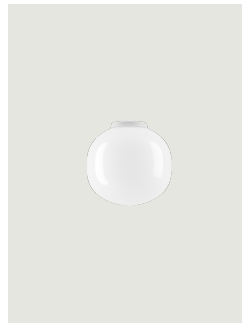
Dim Triac



Options of Volum



Volum 14

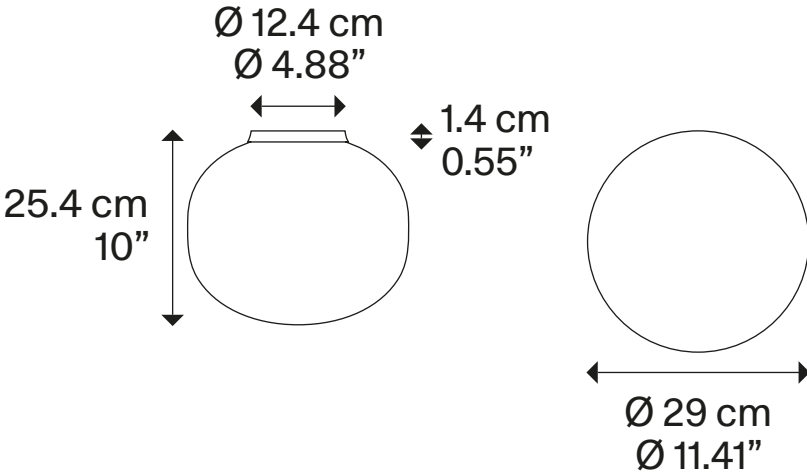


Volum 22



Volum 42

LODES



Volum,
Design by Snøhetta

Model Volum 42

Volum is an exclusive series of glass lamps that are poetically simple yet complex in their technical execution. The four blown glass globes with glossy white finish come in different sizes measuring 14, 22, 29 and 42 cm in diameter. Thanks to their inherently distinct shapes, they intuitively complement one another to form unique compositions.



Volum 42	Light source	Structure: Silicone	Diffuser: Blown glass	Code
<p> $\varnothing 14$ cm $\varnothing 5.51$" ± 1.4 cm ± 0.55" $\varnothing 42$ cm $\varnothing 16.53$" 36.7 cm 14.44" </p> <p>Bulb not included</p>	E27 LED 1 x 25 W \varnothing max 8.5 cm – 3.34"	Translucent	Polished White	18744 1200

Net weight: 3.39 kg

Parcels: 2



IP54

Energy Saving

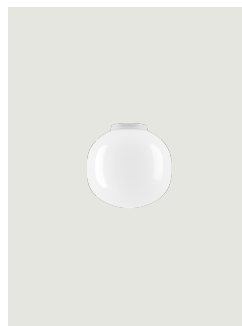
Dim Triac



Options of Volum



Volum 14

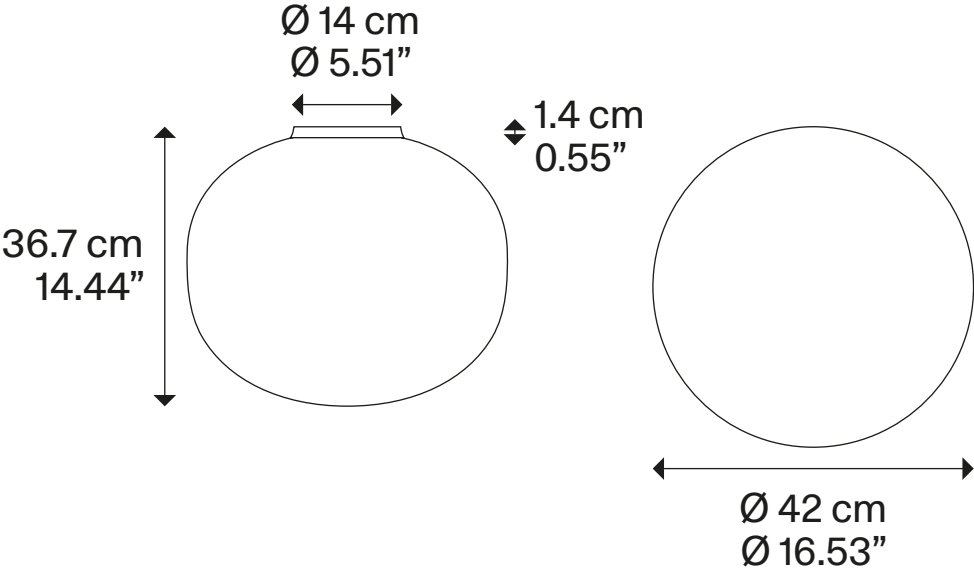


Volum 22



Volum 29

LODES



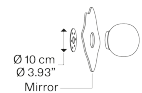
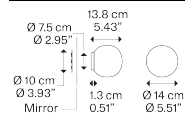
Volum,
Design by Snøhetta

Model Volum mirror 14

Volum is an exclusive series of glass lamps that are poetically simple yet complex in their technical execution. The four blown glass globes with glossy white finish come in different sizes measuring 14, 22, 29 and 42 cm in diameter. Thanks to their inherently distinct shapes, they intuitively complement one another to form unique compositions.



Volum mirror 14



Light source

E14 LED
1 x 15 W
Ø max 5 cm – 1.96"
W / L max 9 cm – 3.54"

Bulb not included

Structure: Silicone

Translucent

Diffuser: Blown glass

Polished White

Code

18741 120S

Net weight: 0.74 kg

Parcels: 2



IP54

Energy Saving

Dim Triac



Options of Volum



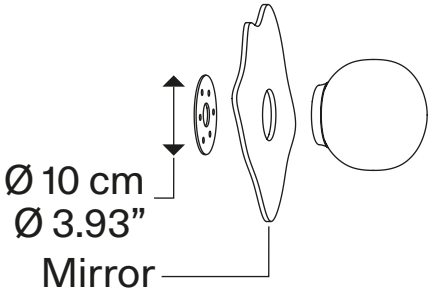
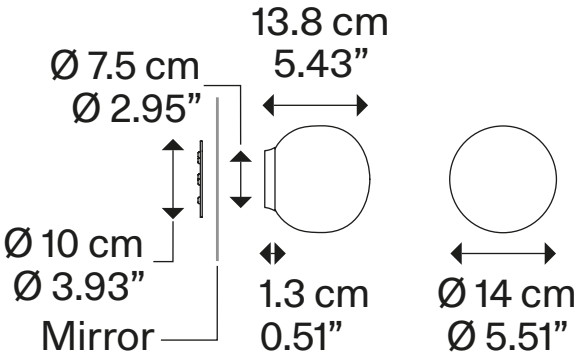
Volum 14

Volum 22

Volum 29

Volum 42

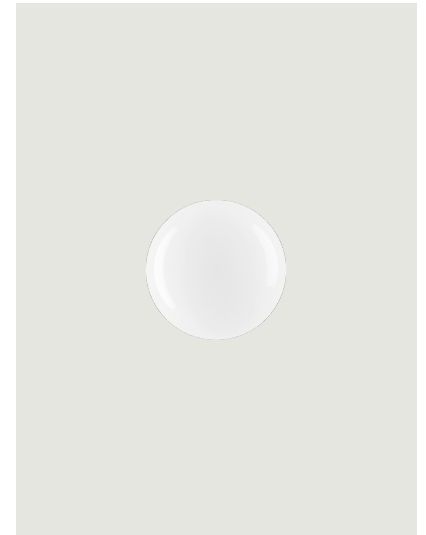
LODES



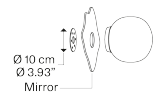
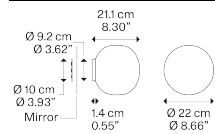
Volum,
Design by Snøhetta

Model Volum mirror 22

Volum is an exclusive series of glass lamps that are poetically simple yet complex in their technical execution. The four blown glass globes with glossy white finish come in different sizes measuring 14, 22, 29 and 42 cm in diameter. Thanks to their inherently distinct shapes, they intuitively complement one another to form unique compositions.



Volum mirror 22



Light source

E27 LED
1 x 25 W
Ø max 5 cm – 1.96"
W / L max 12.5 cm – 4.92"

Bulb not included

Structure: Silicone

Translucent

Diffuser: Blown glass

Polished White

Code

18742 120S

Net weight: 1.15 kg

Parcels: 2



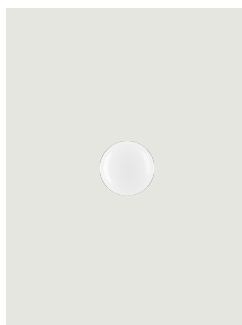
IP54

Energy Saving

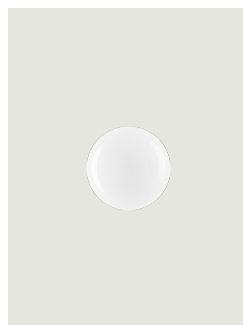
Dim Triac



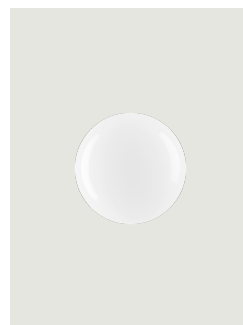
Options of Volum



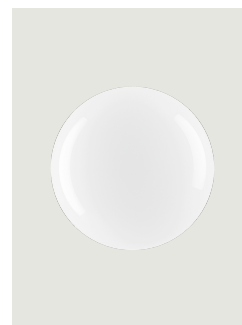
Volum 14



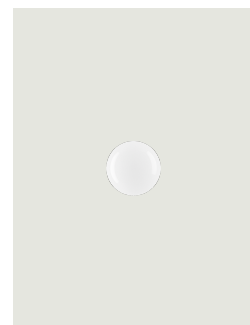
Volum 22



Volum 29

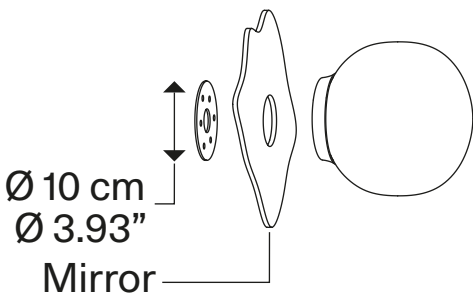
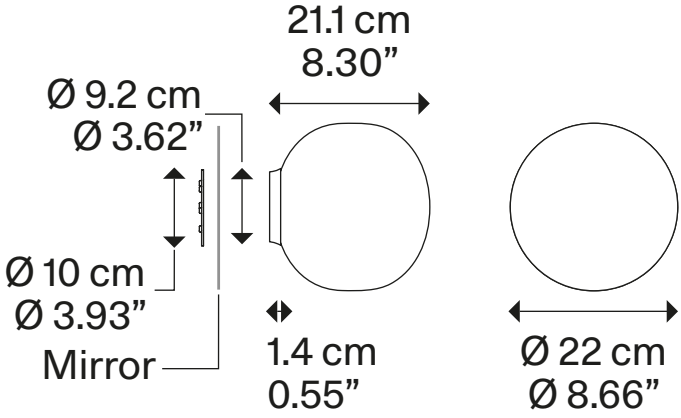


Volum 42



Volum mirror 14

LODES



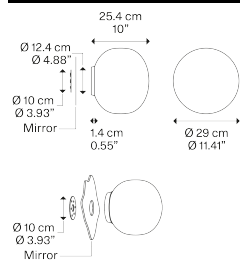
Volum,
Design by Snøhetta

Model Volum mirror 29

Volum is an exclusive series of glass lamps that are poetically simple yet complex in their technical execution. The four blown glass globes with glossy white finish come in different sizes measuring 14, 22, 29 and 42 cm in diameter. Thanks to their inherently distinct shapes, they intuitively complement one another to form unique compositions.



Volum mirror 29



Light source

E27 LED
1 x 25 W
Ø max 8.5 cm – 3.34"

Bulb not included

Structure: Silicone

Translucent

Diffuser: Blown glass

Polished White

Code

18743 120S

Net weight: 2.16 kg

Parcels: 2

CE

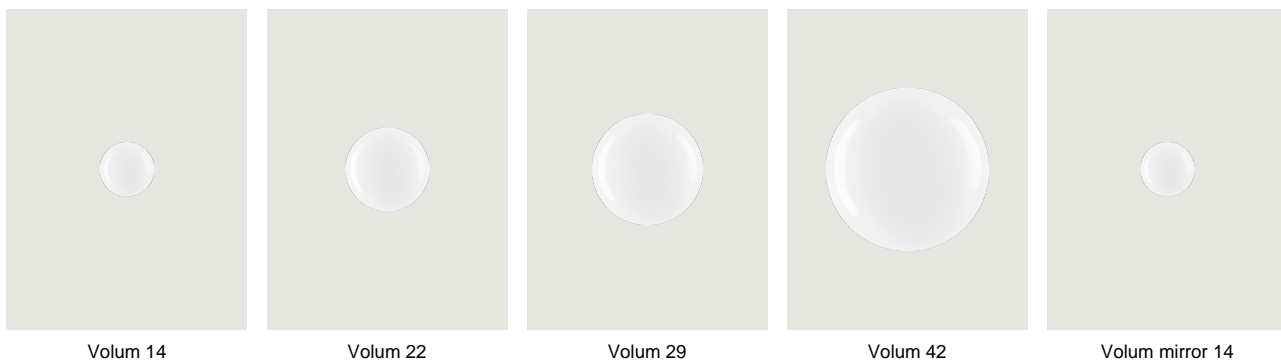
IP54

Energy Saving

Dim Triac

ERC

Options of Volum



Volum 14

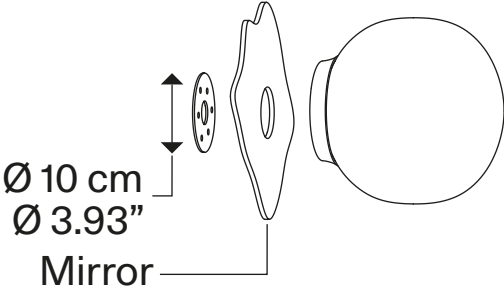
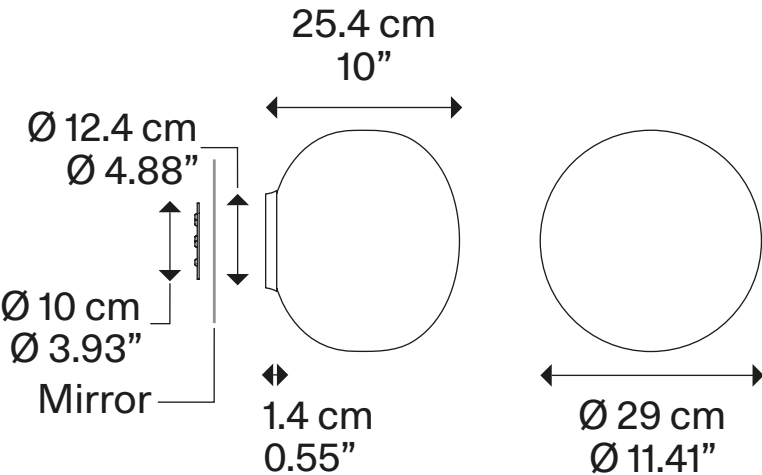
Volum 22

Volum 29

Volum 42

Volum mirror 14

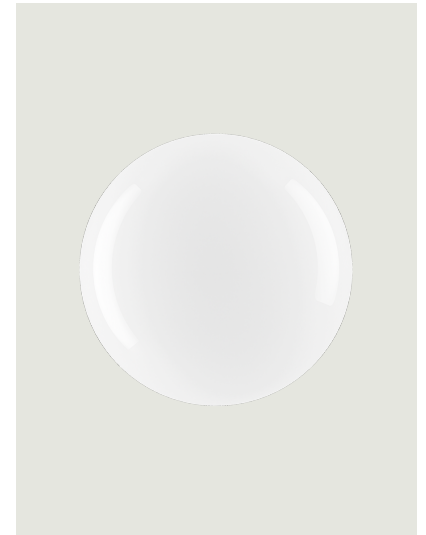
LODES



Volum,
Design by Snøhetta

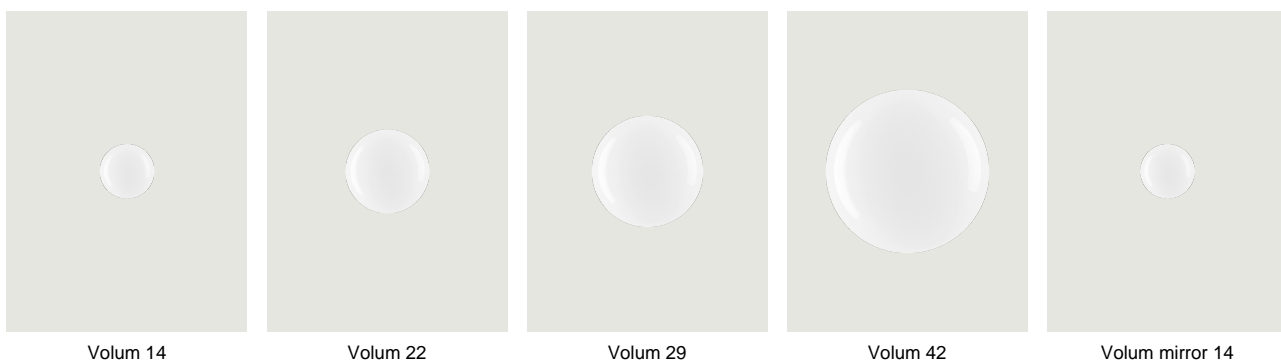
Model Volum mirror 42

Volum is an exclusive series of glass lamps that are poetically simple yet complex in their technical execution. The four blown glass globes with glossy white finish come in different sizes measuring 14, 22, 29 and 42 cm in diameter. Thanks to their inherently distinct shapes, they intuitively complement one another to form unique compositions.



Volum mirror 42	Light source	Structure: Silicone	Diffuser: Blown glass	Code		
<p>36.7 cm 14.44"</p> <p>Ø 14 cm Ø 5.51"</p> <p>Ø 10 cm Ø 3.93"</p> <p>Mirror</p> <p>14 cm 5.51"</p> <p>Ø 42 cm Ø 16.53"</p> <p>Ø 10 cm Ø 3.93"</p> <p>Mirror</p>	<p>E27 LED 1 x 25 W Ø max 8.5cm – 3.34"</p> <p>Bulb not included</p>	<p>Translucent</p>	<p>Polished White</p>	<p>18744 120S</p>		
<p>Net weight: 3.39 kg</p>	<p>Parcels: 2</p>	<p>CE</p>	<p>IP54</p>	<p>Energy Saving</p>	<p>Dim Triac</p>	<p>ERC</p>

Options of Volum



LODES

