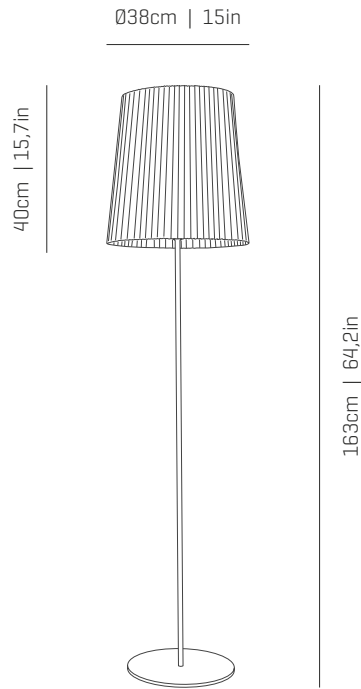


# a

## emotional light

virginia collection



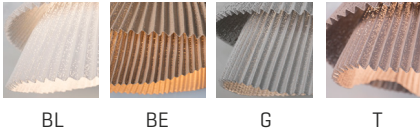
ref. VG03A



### MATERIALS & COMPONENTS | MATERIALES & COMPONENTES

#### LAMP SHADE | TULIPA

Painted stainless steel | One color to choose  
Acero inoxidable pintado | Un color a elegir



CUSTOM  
COLOR

Stainless steel  
Acero inoxidable

#### SUPPORT AND CABLE

##### SOPORTE Y CABLE

Stainless steel  
Acero inoxidable

Transparent cable  
Cable transparente

Standard: 250cm | 98,4in

#### RECOMMENDED BULBS

##### BOMBILLAS RECOMENDADAS

#### 230V - 50Hz

- E27 LED Vintage - Max. 1x12 W
- E27 LED Standard - Max. 1x12 W

#### 120V - 60Hz

- E26 LED - Max. 1x12 W

### OTHER DATA | OTROS DATOS

#### NET WEIGHT

PESO NETO  
10,5kg | 23,1lb

#### PACKAGING

EMBALAJE  
155x11x11cm | 61x 4,3x 4,3in  
44x44x50cm | 17,3x 17,3x 19,7in  
12kg | 26,5lb

#### ELECTRICAL FEATURES

##### CARACTERÍSTICAS ELÉCTRICAS



CERTIFICATIONS  
CERTIFICACIONES



# a

## emotional light

ASSEMBLY INSTRUCTIONS  
INSTRUCCIONES DE MONTAJE

### Virginia

ref. VG03A

Suitable for indoor use, at 25°C

Apta para uso interior a temperatura ambiente de 25°C

Box contains | Contenido de la caja:

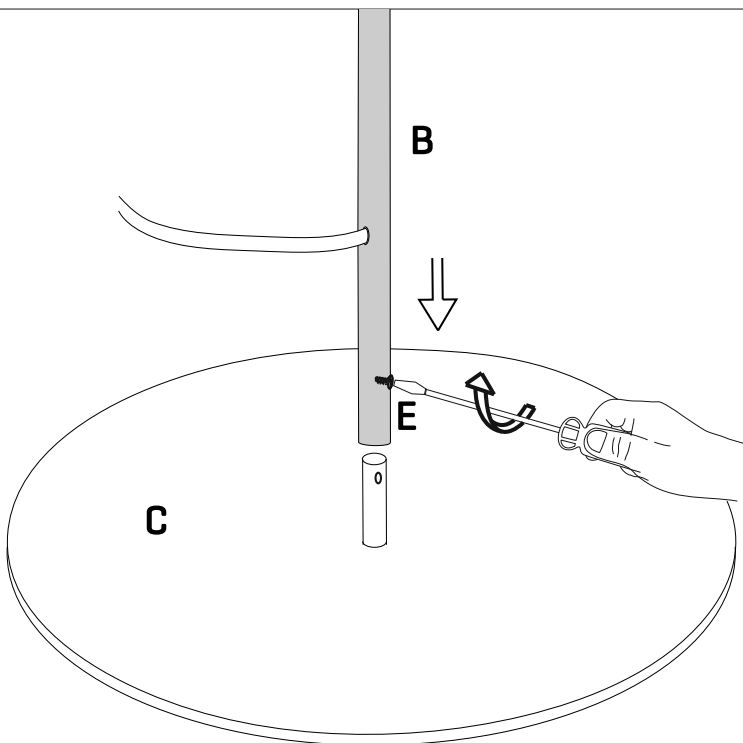
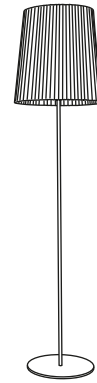
**A** - Lampshade | Tulipa [1]

**B** - Pie | Foot/support [1]

**C** - Base | Base [1]

**D** - Fixing washer | Arandela de fijación [1]

**E** - Screw | Tornillo [1]



#### 1

The foot is shipped separately from its base, unpack both to proceed with its assembly. First take the foot and unscrew the screw and the washer, set them aside for the third step.

Join the foot into the base, by screwing a screw.

El pie se envía separada de la base, desembale ambos para proceder a su montaje.

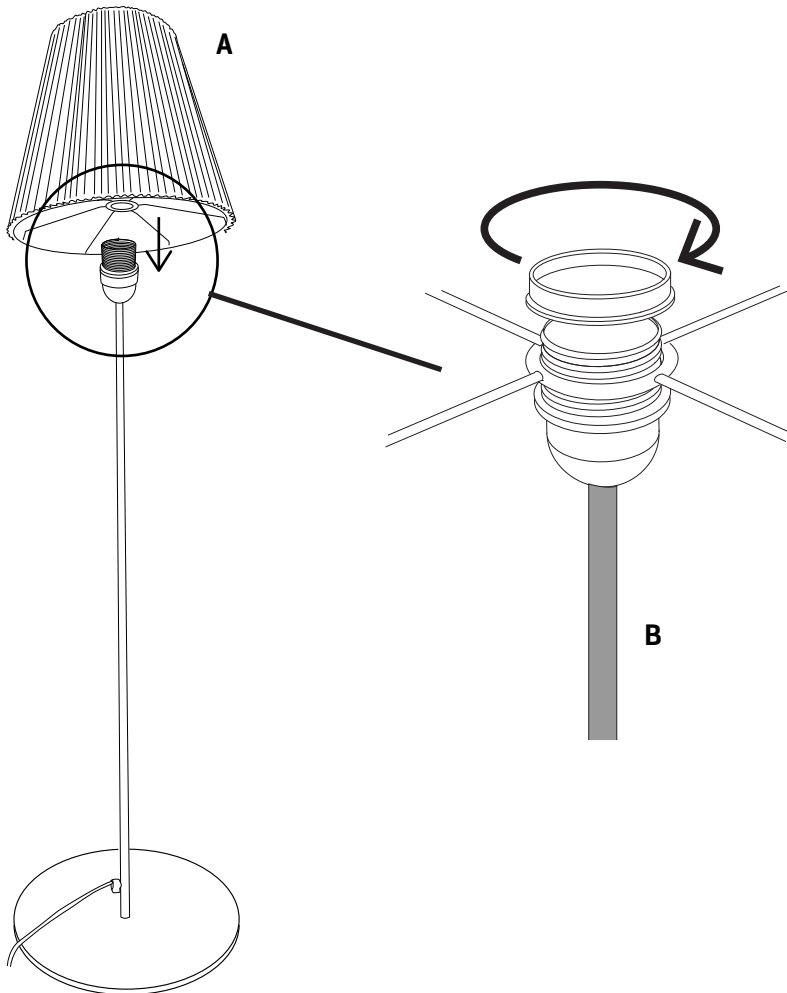
Introduzca el tubo en el pivote de la base, orientando los agujeros para enroscar el tornillo.

Unir el pie a la base, enroscando el tornillo.

# a

## emotional light

ASSEMBLY INSTRUCTIONS  
INSTRUCCIONES DE MONTAJE



2

Introduce the diffuser over the socket and join all together with the fixing nut.

Sobre el portalámparas coloque la tulipa y apriete ambos con la rosca.