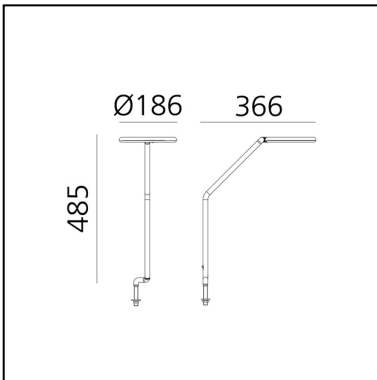


Vine Light - Table fixed

BIG - Bjarke Ingels Group



LUMINAIRE

- Watt: **8W**
- Delivered lumens output: **602lm**
- CCT: **3000K**
- Efficiency: **78%**
- Efficacy: **75.29lm/W**
- CRI: **90**

DESCRIPTION

Vine Light is a pure and balanced line that reaches great freedom of movement with only two joints, leaving users free to define their own light with a simple gesture.

An unbroken section, measuring only 16 mm for the small versions and 25 mm for the big ones (floor, wall), shapes the structure and houses all the opto-electronic and mechanical elements.

Its minimalist presence creates a perfect balance among different materials, weights, light quality, precision of movement and functionality.

Vine Light translates technological complexity into simplicity and freedom. It represents a synthesis in which the apparent simplicity is the result of a deep know-how and innovative research.

PRODUCT CODE: 1565030A

FEATURES

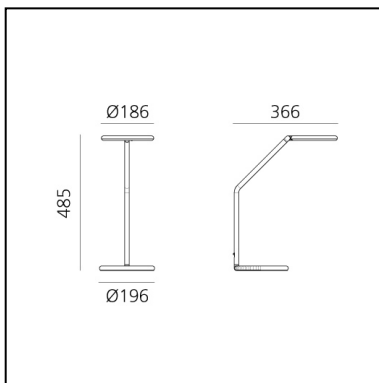
- Article Code: **1565030A**
- Colour: **Black**
- Installation: **Table**
- Series: **Design Collection, 2022 Artemide Collection**
- design by: **BIG - Bjarke Ingels Group**

DIMENSIONS

- Length: **cm 36.6**
- Height: **cm 48.5**
- Base Diameter: **cm 9.3**

Vine Light - Table

BIG - Bjarke Ingels Group



LUMINAIRE

- Watt: **8W**
- Delivered lumens output: **602lm**
- CCT: **3000K**
- Efficiency: **78%**
- Efficacy: **75.29lm/W**
- CRI: **90**

DESCRIPTION

Vine Light is a pure and balanced line that reaches great freedom of movement with only two joints, leaving users free to define their own light with a simple gesture.

An unbroken section, measuring only 16 mm for the small versions and 25 mm for the big ones (floor, wall), shapes the structure and houses all the opto-electronic and mechanical elements.

Its minimalist presence creates a perfect balance among different materials, weights, light quality, precision of movement and functionality.

Vine Light translates technological complexity into simplicity and freedom. It represents a synthesis in which the apparent simplicity is the result of a deep know-how and innovative research.

PRODUCT CODE: 1564030A

FEATURES

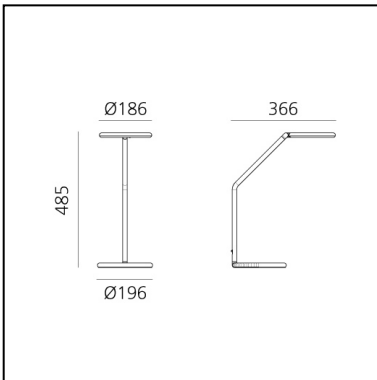
- Article Code: **1564030A**
- Colour: **Black**
- Installation: **Table**
- Series: **Design Collection, 2022 Artemide Collection**
- design by: **BIG - Bjarke Ingels Group**

DIMENSIONS

- Length: **cm 36.6**
- Height: **cm 48.5**
- Base Diameter: **cm 19.6**

Vine Light - Table - Pure Integralis

BIG - Bjarke Ingels Group



LUMINAIRE

- Watt: **8W**
- Delivered lumens output: **675lm**
- Radiant Flux: **523mW**
- CCT: **3600K**
- CRI: **82**

Notes

PATENT PENDING TECHNOLOGY

DESCRIPTION

Vine Light is a pure and balanced line that reaches great freedom of movement with only two joints, leaving users free to define their own light with a simple gesture.

An unbroken section, measuring only 16 mm for the small versions and 25 mm for the big ones (floor, wall), shapes the structure and houses all the opto-electronic and mechanical elements.

Its minimalist presence creates a perfect balance among different materials, weights, light quality, precision of movement and functionality.

Vine Light translates technological complexity into simplicity and freedom. It represents a synthesis in which the apparent simplicity is the result of a deep know-how and innovative research.

PRODUCT CODE: 1564030IN2A

FEATURES

- Article Code: **1564030IN2A**
- Colour: **Black**
- Installation: **Table**
- Series: **Design Collection, 2022 Artemide Collection**
- design by: **BIG - Bjarke Ingels Group**

DIMENSIONS

- Length: **cm 36.6**
- Height: **cm 48.5**
- Base Diameter: **cm 19.6**

SOURCES INCLUDED

- Category: **Led**
- Number: **1**
- Color Tolerance: **MacAdam 4SDCM**
- Service Life: **L80 (10K) 28500h**