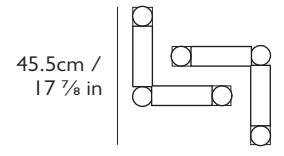
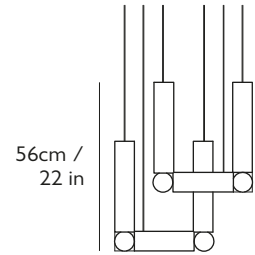


# LEE BROOM

## VESPER



45.5cm / 17 7/8 in

9 kg / 19.8 lb

### PRODUCT DETAILS

Name	Year of Design
Vesper Duo	2022

Product Code	110-130V	220-240V
Vesper Duo, brushed silver	VES0110	VES0010
Vesper Duo, brushed gold	VES0111	VES0011

### Materials

Opal glass and aluminium with brushed silver or brushed gold finish:



Brushed silver



Brushed gold

### Illumination

9.6W / 12V DC - Requires driver / G4 / 2700k / CRI 90  
Supplied with 6x 1.6W dimmable G4 LED bulbs

### Dimming

Dimmable. TRIAC / Leading edge / Trailing edge

### Dimensions

H 56 cm x W 45.5 cm x D 45.5 cm / H 22 x W 17 7/8 x D 17 7/8 in

### Weight

Product (net) : 9 kg / 19.8 lb    Boxed (gross) : 9.75 kg / 21.5 lb

### Suspension

Length : 300 cm / 118 1/8 in  
6x 300cm clear cable (adjustable length)

### Ceiling Plate / Canopy

Square ceiling plate / canopy with driver  
52 x 52 x 3 cm / 20 1/2 x 20 1/2 x 1 1/8 in

Mini canopy (requires remote driver installation) will be coming soon.

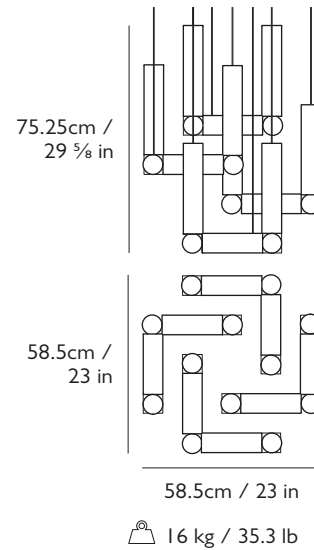
### Certification

110-130V : UL, cULus  
220-240V : CE, UKCA, CB



# LEE BROOM

## VESPER



### PRODUCT DETAILS

Name	Year of Design	
Vesper Quattro	2022	

Product Code	110-130V	220-240V
Vesper Quattro, brushed silver	VES0120	VES0020
Vesper Quattro, brushed gold	VES0121	VES0021

#### Materials

Opal glass and aluminium with brushed silver or brushed gold finish:



Brushed silver



Brushed gold

#### Illumination

19.2W / 12V DC - Requires driver / G4 / 2700k / CRI 90  
Supplied with 12x 1.6W dimmable G4 LED bulbs

#### Dimming

Dimmable. TRIAC / Leading edge / Trailing edge

#### Dimensions

H 72.25 cm x W 58.5 cm x D 58.5 cm / H 29 5/8 x W 23 x D 23 in

#### Weight

Product (net) : 16 kg / 35.3 lb    Boxed (gross) : 17.5 kg / 38.6 lb

#### Suspension

Length : 300 cm / 118 1/8 in  
12x 300cm clear cable (adjustable length)

#### Ceiling Plate / Canopy

Square ceiling plate / canopy with driver  
66 x 66 x 3 cm / 26 x 26 x 1 1/8 in

Mini canopy (requires remote driver installation) will be coming soon.

#### Certification

110-130V : UL, cULus  
220-240V : CE, UKCA, CB

