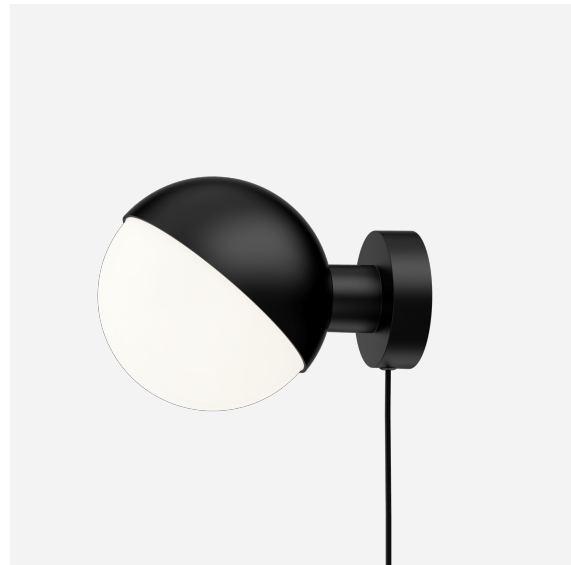


VL STUDIO WALL

The fixture emits a glare-free, diffused light. The triple-layered opal glass provides a pleasant and uniform illumination of the area around the fixture. The lamp shade can be tilted 90 degrees to the right or left, which allows for flexible light distribution.



Vilhelm Lauritzen

Vilhelm Lauritzen (1894–1984) is one of the most significant architects in the history of Denmark; he was the trail-blazing figurehead of Danish functionalism. A number of his buildings – Nørrebro Theatre (1931–32), Daells Varehus department store (1928–35), Radiohuset (1936–41) and the first airport built in Kastrup (1937–39) – represented the concentrated essence of contemporary life.



Product info

Information

The adjustable lamp shade can be tilted 90 degrees to the right or left. The untreated brass will change over time and develop patina.

Mounting

Two options. With cord and plug and on/off switch on cord or variant for hardwiring with on/off on main switch. Cord type: Plastic cord with plug. Black for black version and white on brass versions. Cord length: 2.5 m. Glass can be unscrewed to change the light source.

Finish

Matt black, wet painted or brushed brass with fine hairlines. White opal glass, glossy. EU/UK/JP: Unlacquered brass which will develop a patina. AU/KR/CN/JP/US: Clear lacquered brass.

Materials

Glass: Mouth-blown, 3-layered opal glass, glossy. Housing: Deep drawn aluminum or brass. Wall box: Die cast aluminum or forged brass. Please note the untreated brass will patinate.

Sizes and weights

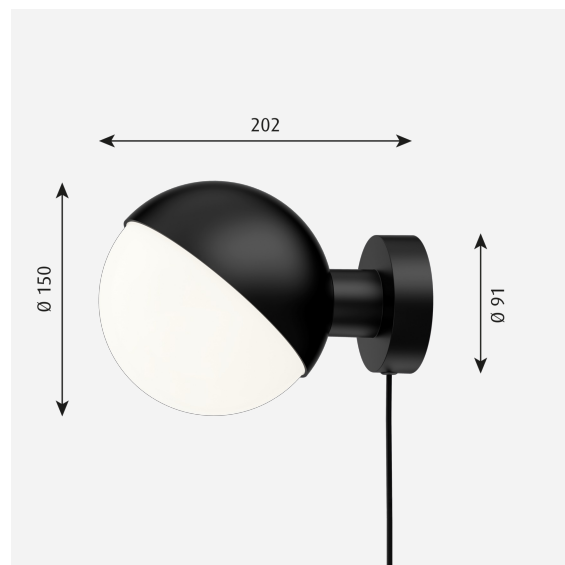
Width x Height x Length (mm) | 150 x 150 x 201 Max 0.9 kg

Class

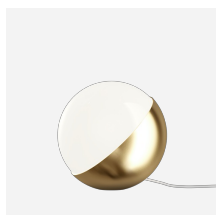
Ingress protection IP20. With cord and plug: Electric shock protection II. For hardwiring: Electric shock protection I.

Information

The adjustable lamp shade can be tilted 90 degrees to the right or left. The untreated brass will change over time and develop patina.



Related products



VL Studio Table/Floor

Product variants

Dimension	Colour	Cable type	Class	Switch
Ø 150	● Black	With cord	-	With switch
	● Brass	Without cord	II	Without switch

Design

Vilhelm Lauritzen

Weight

Min: 0.85 kg Max: 1.3 kg

Dimensions

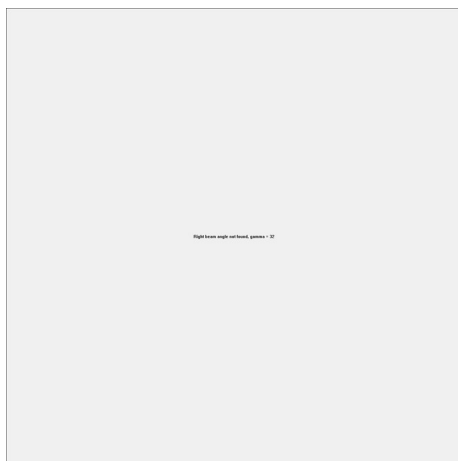
Ø 150

Finish

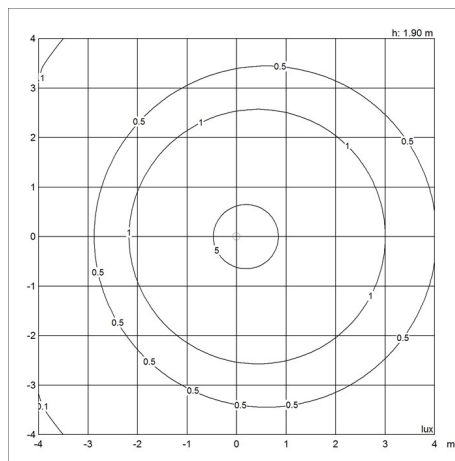
Black, Brass

Light distribution diagrams

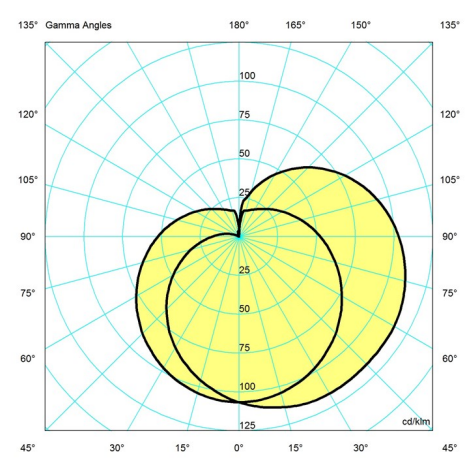
Cartesian



Isolux



Polar



Spare parts & accessories

Product	Variant number
VL Studio Table/Wall, White grommet	5744167877
VL Studio Ø150 Wall glass	5743151868
VL Studio Table/Wall, Black grommet	5744167880
VL Studio Ø150 Wall black pinol screw	5743151871
VL Studio Wall Ø150 brass screw	5743151884