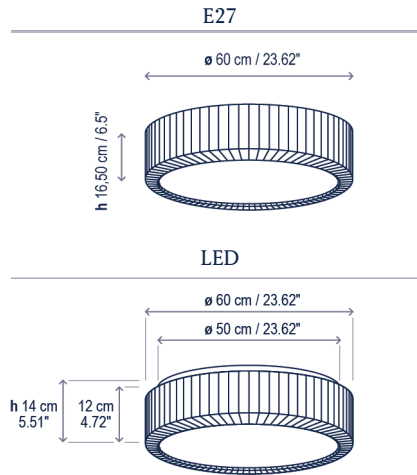


Urban PF/60

Diseño / Design:
Joana Bover / 2011

Tipología: Plafón
Typology: Ceiling lamp

Ambiente: Interior
Environment: Indoor



Descripción técnica / Technical description:

Peso Neto: 6,27 kg
Net Weight: 6,27 kg

1 Caja/Box | 67 x 67 x 25 cm | 0,1122 m³
Peso bruto / Gross Weight: 8,22 kg

Materiales: Hierro
Materials: Iron

Opciones Dali/1-10V: consultar
Dali/1-10V options: consult

Difusor superior e inferior: Policarbonato
Upper and lower diffuser: Polycarbonate

Hilo incandescente pantalla: 960°
Shade GWFI: 960°

Personalizable
Customizable

*Bombillas no incluidas (E-27 P45)
*Bulbs not included (E-27 P45)

Regulable sólo si se utilizan bombillas regulables. / Dimmable only if dimmable bulbs are used.

**Led para conexión directa a red eléctrica
**Led for direct connection to mains voltage

Certificaciones
Certifications

Recambios / Spare parts:

R02325DIF Difusor / Diffuser

Descripción lámpara / Lamps description:



Ref	Acabados / Finishing	Ean13
*32502100189	Plata Mate - Pantalla Cinta Translúcida Blanca Matte Silver - White Translucent Ribbon Shade	8435493726083
*32502100190	Plata Mate - Pantalla Cinta Translúcida Crema Matte Silver - Cream Translucent Ribbon Shade	8435493726120

Descripción lámpara / Lamps description:



Ref	Acabados / Finishing	Ean13
32511105189	LED Regulable TRIAC Plata Mate - Pantalla Cinta Translúcida Blanca LED TRIAC Dimmable Matte Silver - White Translucent Ribbon Shade	8435493710136
32511105190	LED Regulable TRIAC Plata Mate - Pantalla Cinta Translúcida Crema LED TRIAC Dimmable Matte Silver - Cream Translucent Ribbon Shade	8435493710150

bover
barcelona lights

Avda. Catalunya 173
Poligon Ind. Sud
08440 Cardedeu
Barcelona, Spain

T. +34 938 713 152
F. +34 938 462 089
info@bover.es
www.bover.es

Familia / Family: Urban

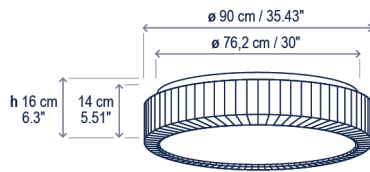


Urban PF/90

Diseño / Design:
Joana Bover / 2011

Tipología: Plafón
Typology: Ceiling lamp

Ambiente: Interior
Environment: Indoor



Descripción técnica / Technical description:

Peso Neto: 11,6 kg
Net Weight: 11,6 kg

1 Caja/Box | 91 x 92 x 26 cm | 0,2177 m³
Peso bruto / Gross Weight: 18,46 kg

Materiales: Hierro
Materials: Iron

Opciones Dali/1-10V: consultar
Dali/1-10V options: consult

Difusor superior e inferior: Policarbonato
Upper and lower diffuser: Polycarbonate

Hilo incandescente pantalla: 960°
Shade GWFI: 960°

Personalizable
Customizable

Certificaciones
Certifications

Recambios / Spare parts:

R04325DIF Difusor / Diffuser

Descripción lámpara / Lamps description:

230V 50Hz | IP-20 | TRIAC | 58 W LED / CRI: 90 / 2700K 8000 lm fuente de luz / light source |

Ref	Acabados / Finishing	Ean13
32512105189	LED Regulable TRIAC Plata Mate - Pantalla Cinta Translúcida Blanca LED TRIAC Dimmable Matte Silver - White Translucent Ribbon Shade	8435493710198
32512105190	LED Regulable TRIAC Plata Mate - Pantalla Cinta Translúcida Crema LED TRIAC Dimmable Matte Silver - Cream Translucent Ribbon Shade	8435493710211

bover
barcelona lights

Avda. Catalunya 173
Poligon Ind. Sud
08440 Cardedeu
Barcelona, Spain

T. +34 938 713 152
F. +34 938 462 089
info@bover.es
www.bover.es

Familia / Family: Urban

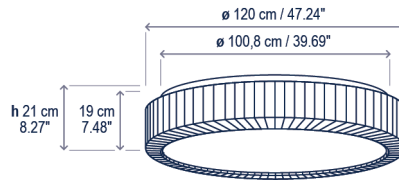


Urban PF/120

Diseño / Design:
Joana Bover / 2011

Tipología: Plafón
Typology: Ceiling lamp

Ambiente: Interior
Environment: Indoor



Descripción técnica / Technical description:

Peso Neto: 19,7 kg
Net Weight: 19,7 kg

1 Caja/Box | 127 x 128 x 45 cm | 0,7315 m³
Peso bruto / Gross Weight: 34,26 kg

Materiales: Hierro
Materials: Iron

Difusor superior e inferior: Policarbonato
Upper and lower diffuser: Polycarbonate

Hilo incandescente pantalla: 960°
Shade GWF: 960°

Personalizable
Customizable

Certificaciones
Certifications

Recambios / Spare parts:

R03325DIF Difusor / Diffuser

Descripción lámpara / Lamps description:

Ref	Acabados / Finishing	Ean13
32513108189	LED Regulable 0/1-10V Plata Mate - Pantalla Cinta Translúcida Blanca LED 0/1-10V Dimmable Matte Silver - White Translucent Ribbon Shade	8435493710259
32513108190	LED Regulable 0/1-10V Plata Mate - Pantalla Cinta Translúcida Crema LED 0/1-10V Dimmable Matte Silver - Cream Translucent Ribbon Shade	8435493710273

Descripción lámpara / Lamps description:

Ref	Acabados / Finishing	Ean13
32513118189	LED Regulable Dali Plata Mate - Pantalla Cinta Translúcida Blanca LED Dali Dimmable Matte Silver - White Translucent Ribbon Shade	8435493713908
32513118190	LED Regulable Dali Plata Mate - Pantalla Cinta Translúcida Crema LED Dali Dimmable Matte Silver - Cream Translucent Ribbon Shade	8435493713915

bover
barcelona lights

Avda. Catalunya 173
Poligon Ind. Sud
08440 Cardedeu
Barcelona, Spain

T. +34 938 713 152
F. +34 938 462 089
info@bover.es
www.bover.es

Familia / Family: Urban

