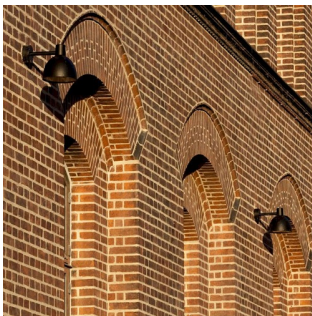


TOLDBOD 290 WALL

The light is directed 100% downwards and the shade has a matt white painted interior emitting a soft, diffused, comfortable light. The fixture fulfills full cut-off criteria.



Rysenstein
Gymnasium



Henne Mølle Å Badehotel

Product info

Environmental Product Specification

This product is compliant with the requirements contained in the European Directives, RoHS Directive 2011/65 and 2015/863. This product is designed so that 100% of the product can be disassembled and reused.

Information

The wall box and arm are painted in the same colour as the fixture head.

Mounting

Terminal block: 1x3x2.5 mm², LED: 1x5x2,5 mm². Cable entries: 2x rear entries and 2x bottom entries to Ø 10-14.5mm cable. Looping: Approved, max. 3x1,5mm².

Finish

Aluminium coloured with textured surface or black with textured surface, powder coated.

Materials

Fixture head: Die cast aluminium. Shield: Injection moulded clear polycarbonate. Wall box: Die cast aluminium. Arm: Extruded aluminium.

Sizes and weights

Width x Height x Length (mm) | 290 x 300 x 445 Max 6.4 kg

Class

IP44. IK08. Electric shock protection I w. ground.

Specification notes

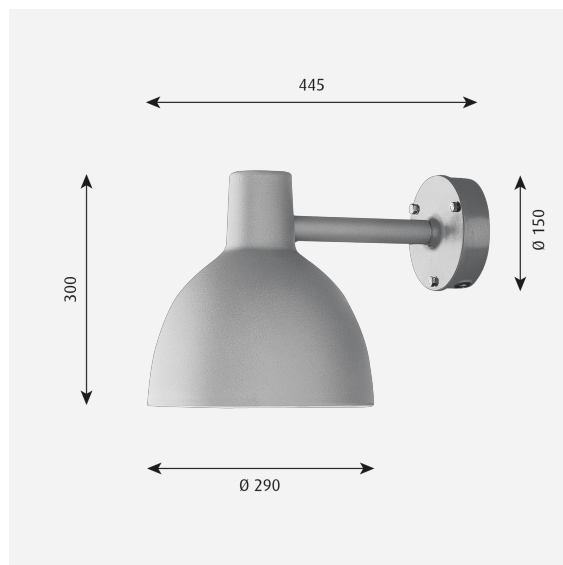
Toldbod Ø220 is only available in 100W E27. Ø290 is only available for 27W LED, 1x26/32/42W TC-TEL and vap. lamps 13140 (50W HSE-I, 70W HSE-I, 150W E27.) The innovation of light sources is ongoing. Consequently we only inform about the max. wattages. On www.louispoulsen.com we update a list of recommendable light sources.

Light source

LED 3000K 20W
Lumen: 1928

Information

The wall box and arm are painted in the same colour as the fixture head.



Related products



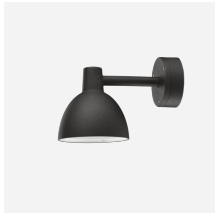
Toldbod Pendant



Toldbod 155/220 Glass Pendant



Toldbod 155 Bollard



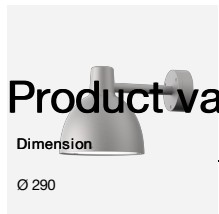
Toldbod 155 Wall



Toldbod 290 Post



Toldbod 290 LED Upgrade Kit



Product variants

| Dimension | Colour | Light source | Lumen |
|-----------|--|---------------|-------|
| Ø 290 | <input type="radio"/> Aluminium colour texture | LED 3000K 20W | 1928 |
| | <input checked="" type="radio"/> Black texture | LED 4000K 20W | 1988 |

Toldbod 220 Wall

Product description

Based on a PH elliptical reflector makes the design as a harmonic bell.
A straight wall arm mounted in a round wall box holds the fixture head.
Is a member of a product family for both outdoor and indoor.
Terse design
Different colour variants.

Mounting

EU:
Terminal block: 1x3x2,5mm², LED: 1x5x2,5mm².
Cable entries: Ø 290: 2x rear entries and 2x bottom entries to Ø 10- 14,5mm cable. Ø 220: 3x rear entries and 2x knock outs in bottom to Ø 10-14,5mm cable.
Looping: Approved, max. 3x1,5mm².
US:
Surface: Mounted directly to a recessed ballast box provided (MH) or mounted directly to finished surface over a recessed 4" octagonal junction box (INC).

Light description

The fixture emits symmetrical light directed 100% downwards.
The white painted matt inside of the shade causes a soft, diffuse, comfortable light.
A lower diffuser gives a glow that makes it possible to recognize the shape.
Ø290/11.4": LED technology with more options of standard CCTs.
Ø290/11.4": Electronic dimmable driver.

Design

Louis Poulsen A/S

Material

Fixture head of die-cast aluminium.
Aluminium coloured with textured surface or black with textured surface, powder coated.
The reflector part of the fixture head has a white painted interior.
Arm: Extruded aluminium.
Wall box: Die cast aluminium.
Diffuser/shield of injection moulded clear UV stabilized vandal resistant polycarbonate.
Ø290: Driver inside the fixture head.

Weight

Min: 6.408 kg Max: 6.425 kg

Dimensions

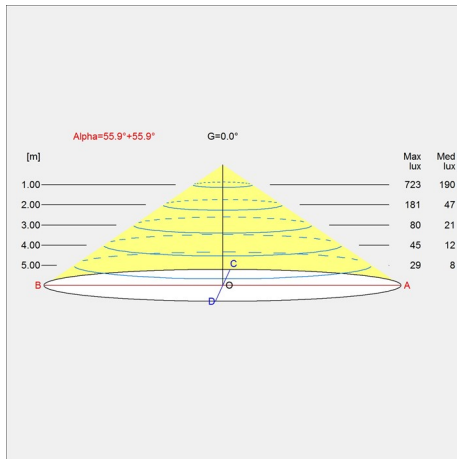
Ø 290

Finish

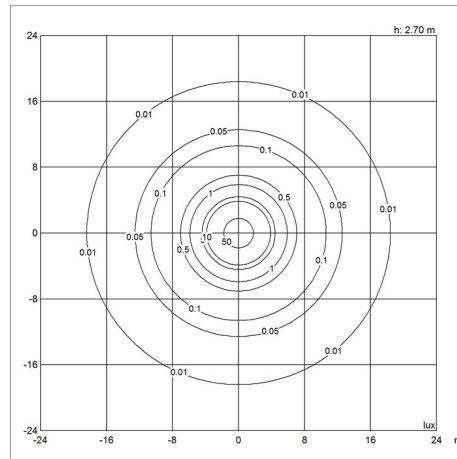
Aluminium colour texture, Black texture

Light distribution diagrams

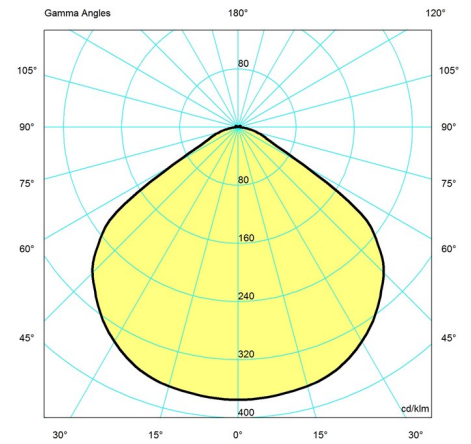
Cartesian



Isolux



Polar



Spare parts & accessories

Product

- Toldbod 290 diffuser
- Toldbod 220 Wall diffuser

Variant number

- 5747305050
- 5743590487