

Toldbod 155 Wall

The light is directed 100% downwards, and the shade has a matt white painted inside which emits a soft, diffused, comfortable light. The fixture fulfils full cut-off criteria.



Hareskov Kirkes
Menighedshus



Skagen

Product info

Environmental Product Specification

This product is compliant with the requirements contained in the European Directives, RoHS Directive 2011/65 and 2015/863. This product is designed so that 100% of the product can be disassembled and reused.

Mounting

Terminal block: 1x3x2.5mm². Cable entries: 2x bottom + 3x rear entries for Ø 10-14.5mm cable. Looping: Approved, max. 3x1,5mm².

Finish

Aluminium coloured with textured surface or black with textured surface, powder coated.

Materials

Fixture head: Chilled casting aluminium. Shield: Laser cut acrylic satine. Wall box: Die cast aluminium. Arm: Chilled casting aluminium.

Sizes and weights

Width x Height x Length (mm) | 155 x 158 x 267 Max 1.4 kg

Class

Ingress protection IP44. Electric shock protection I w. ground. IK05.

Specification notes

The innovation of light sources is ongoing. Consequently we only inform about the max. wattages. On www.louispoulsen.com we update a list of recommendable light sources.

Light source

E14



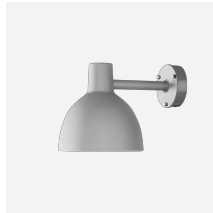
Product family



Toldbod Pendant



Toldbod 155/220 Glass Pendant



Toldbod 220/290 Wall



Toldbod 155 Bollard



Toldbod 290 Post



Toldbod 290 LED Upgrade Kit

Product variants

Colour

- Aluminium colour texture
- Black texture

Light source

E14

Design

Louis Poulsen A/S

Weight

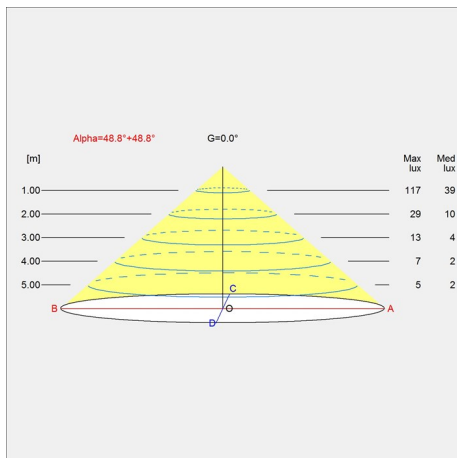
Min: 1.43 kg Max: 1.433 kg

Finish

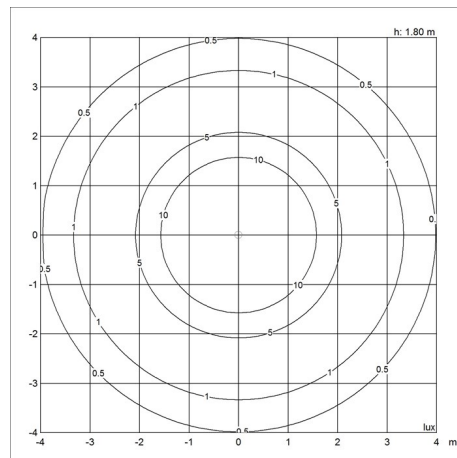
Aluminium colour texture, Black texture

Light distribution diagrams

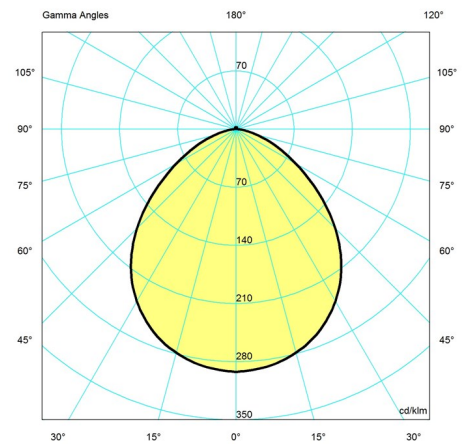
Cartesian



Isolux



Polar



Spare parts & accessories

Product

Toldbod Wall/Bollard 155 shield

Variant number

5743145528