

TREVI PENDANT MULTI 10

FINISH

antique bronze with matt opal glass
 bronze with matt opal glass
 satin brass with matt opal glass

DIMENSIONS (body of fixture)

640 x 1690 x 640 mm (w x d x h)

WEIGHT

9.5kg (20.9lbs)

please ensure ceiling structure is strong enough to support the weight of the light

OVERALL DROP

minimum 745 mm

supplied with 2 X 1000mm drop rod (12.7mm dia) as standard (adjustable on site)

ILLUMINATION

220-240v - 10 x E14 - 25w max (or 4.5w LED 2700k)

110-130v - 10 x E12 - 25w max (or 4.5w LED 2700k)

DIMMING

dimnable bulb required

trailing edge dimmable / phase cut (rotary dimmer) - standard

DALI option available (220-240v only)

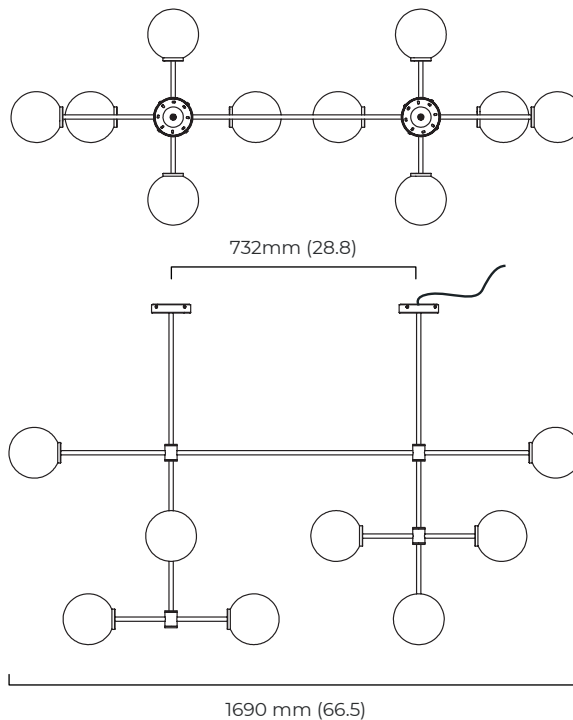
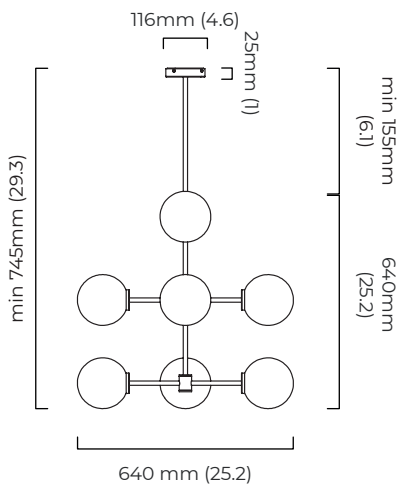
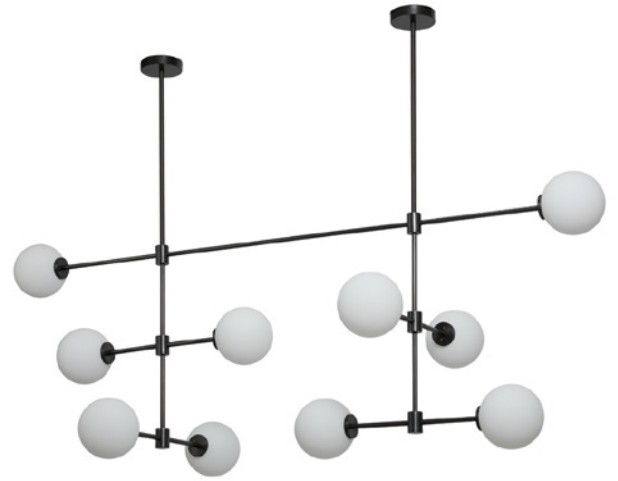
CEILING ROSE / PLATE

round ceiling rose - \varnothing 116 x 25 mm (dia x h)

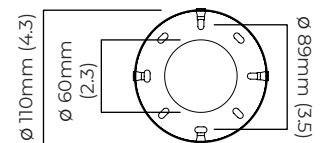
CERTIFICATION



VIEW ON WEBSITE



mounting plate dimensions



*Diagrams are not to scale.

TREVI PENDANT MULTI 10 - DALI-A

FINISH

antique bronze with matt opal glass
 bronze with matt opal glass
 satin brass with matt opal glass

DIMENSIONS (body of fixture)

640 x 1690 x 640 mm (w x d x h)

WEIGHT

9.5kg (20.5 lbs)

please ensure ceiling structure is strong enough to support the weight of the light

OVERALL DROP

minimum 745 mm

supplied with 2 X 1000mm drop rod (12.7mm dia) as standard (adjustable on site)

ILLUMINATION

220-240v - 10 x E14 - 25w max (or 4.5w LED 2700k)

DALI converter to be installed in the cavity

DIMMING

dimnable bulb required

DALI compatible

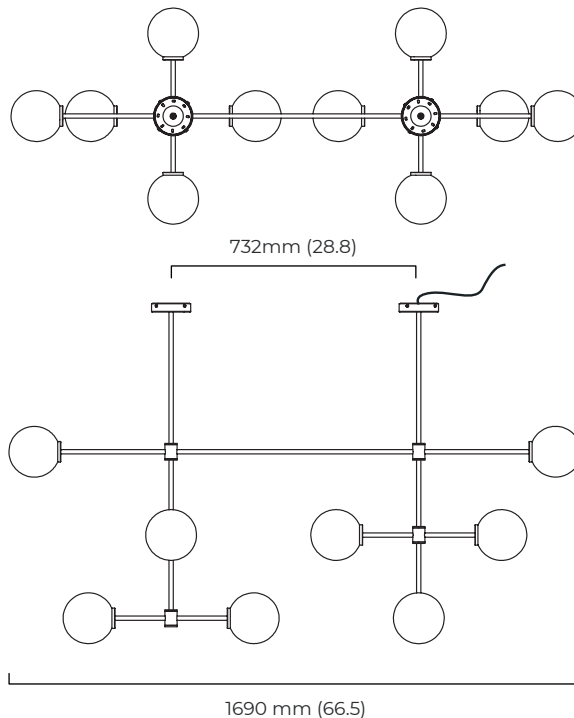
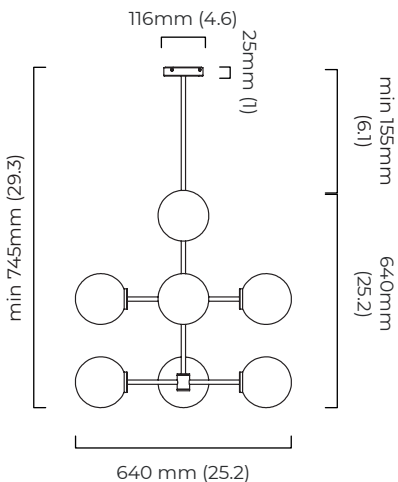
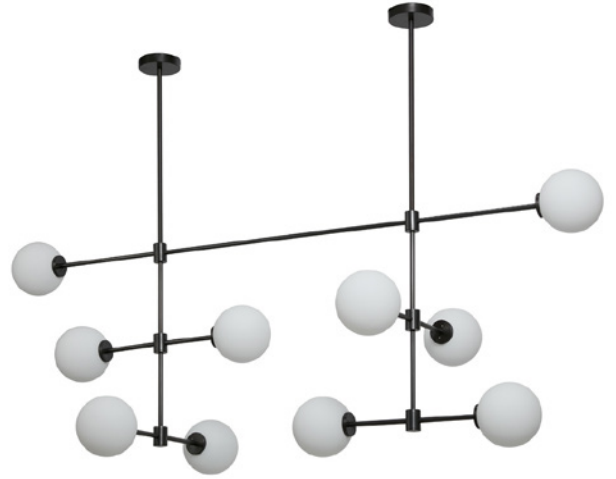
CEILING ROSE / PLATE

round ceiling rose - \varnothing 116 x 25 mm (dia x h)

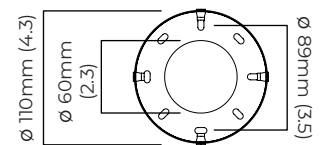
CERTIFICATION



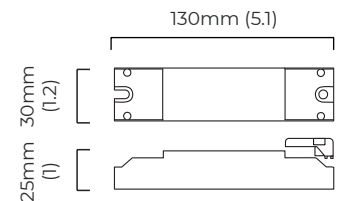
VIEW ON WEBSITE



mounting plate dimensions



DALI converter dimensions



*Diagrams are not to scale.

TREVI PENDANT MULTI 10 - DALI-B

FINISH

antique bronze with matt opal glass
 bronze with matt opal glass
 satin brass with matt opal glass

DIMENSIONS (body of fixture)

640 x 1690 x 640 mm (w x d x h)

WEIGHT

9.5kg (20.5 lbs)

please ensure ceiling structure is strong enough to support the weight of the light

OVERALL DROP

minimum 755 mm

supplied with 2 X 1000mm drop rod (12.7mm dia) as standard (adjustable on site)

ILLUMINATION

220-240v - 10 x E14 - 25w max (or 4.5w LED 2700k)

DALI converter to be installed in the ceiling rose

DIMMING

dimmable bulb required

DALI compatible

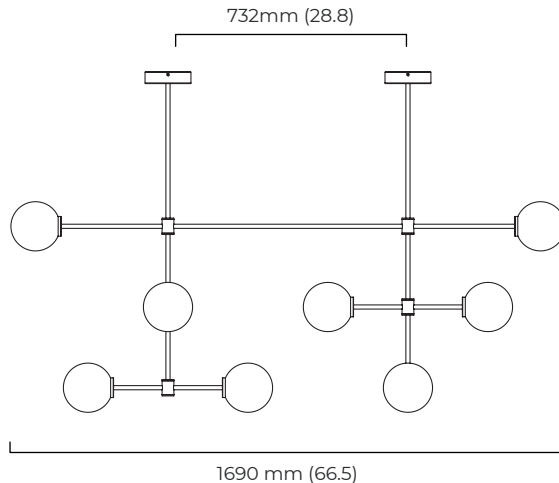
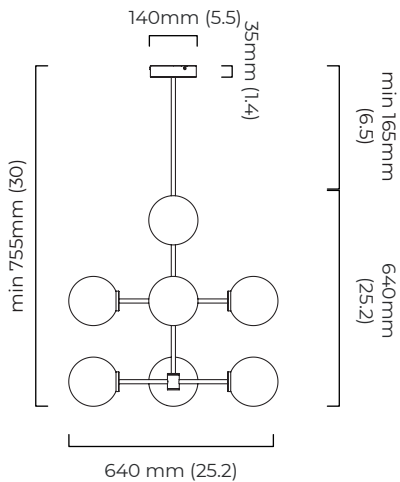
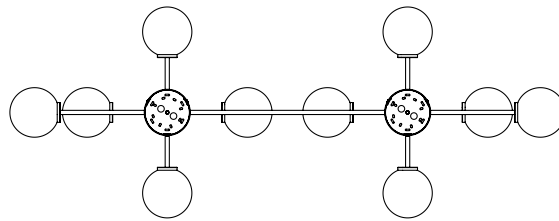
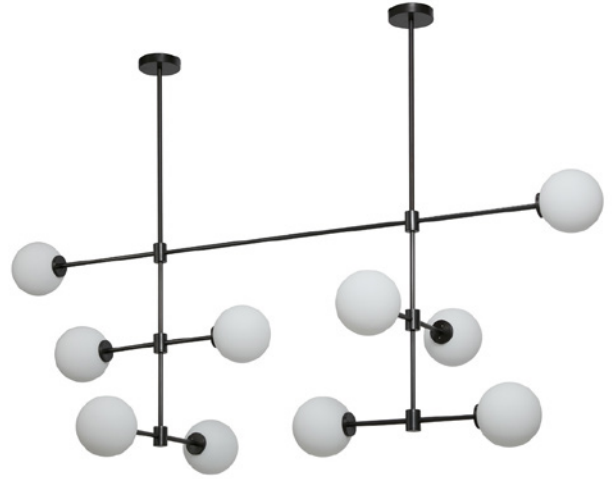
CEILING ROSE / PLATE

round ceiling rose - \varnothing 140 x 35 mm (dia x h)

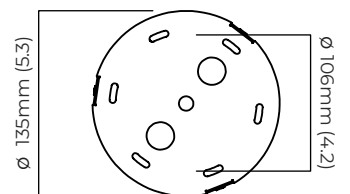
CERTIFICATION



VIEW ON WEBSITE



mounting plate dimensions



*Diagrams are not to scale.

TREVI PENDANT MULTI 10

TREVI PENDANT MULTI 10

SKU NUMBER	FINISH DESCRIPTION	VOLTAGE
TREPE1ABMO-240	antique bronze with matt opal glass	220 - 240V
TREPE1BZMO-240	bronze with matt opal glass	220 - 240V
TREPE1SBMO-240	satın brass with matt opal glass	220 - 240V
TREPE1ABMO-110	antique bronze with matt opal glass	110 - 130V
TREPE1BZMO-110	bronze with matt opal glass	110 - 130V
TREPE1SBMO-110	satın brass with matt opal glass	110 - 130V

TREVI PENDANT MULTI 10 - DALI-A

SKU NUMBER	FINISH DESCRIPTION	TYPE OF DALI	VOLTAGE
TREPE1ABMO-DALIA-240	antique bronze with matt opal glass	DALI A included - For lights that do not require aesthetic alterations. Dali can be fitted inside the ceiling/wall rose	220 - 240V
TREPE1BZMO-DALIA-240	bronze with matt opal glass	DALI A included - For lights that do not require aesthetic alterations. Dali can be fitted inside the ceiling/wall rose	220 - 240V
TREPE1SBMO-DALIA-240	satın brass with matt opal glass	DALI A included - For lights that do not require aesthetic alterations. Dali can be fitted inside the ceiling/wall rose	220 - 240V

TREVI PENDANT MULTI 10 - DALI-B

SKU NUMBER	FINISH DESCRIPTION	TYPE OF DALI	VOLTAGE
TREPE1ABMO-DALIB-240	antique bronze with matt opal glass	DALI B included - The light will feature a deeper ceiling/wall rose. For use when there is no space in the existing ceiling/wall cavity	220 - 240V
TREPE1BZMO-DALIB-240	bronze with matt opal glass	DALI B included - The light will feature a deeper ceiling/wall rose. For use when there is no space in the existing ceiling/wall cavity	220 - 240V
TREPE1SBMO-DALIB-240	satın brass with matt opal glass	DALI B included - The light will feature a deeper ceiling/wall rose. For use when there is no space in the existing ceiling/wall cavity	220 - 240V