

BERT | FRANK



STASIS

# STASIS WALL LIGHT

Angular lines meet elegant curves. Polished copper or matt bronze meets satin-finish brass. Solid brass back plate with bronze or copper insert. Adjustable brass arm and bronze or copper shade. Adjustable brass arm and bronze or copper shade.



**PRODUCT CODE**

STS0020 – Stasis Wall Light - Bronze  
 STS0022 – Stasis Wall Light - Polished

**MATERIALS**

Brass, Copper

**FINISHES**

Brushed brass lacquered as standard  
 Bronzed or polished copper  
 Custom finishes available

**DIMMING**

Mains dimmable / TRIAC

**LIGHT SOURCE**

1x 4W LED E12/G9 lamp (supplied)  
 120/240V, 2700k  
 LED lamp only MAX 12W

**WEIGHT**

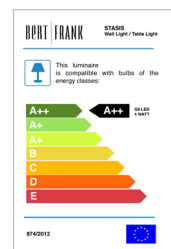
4kg net, 5kg gross

**WALL PLATE**

Brushed Brass Wall plate - 160 H x 63 W  
 4in J-box plate available

**DESIGN NOTES**

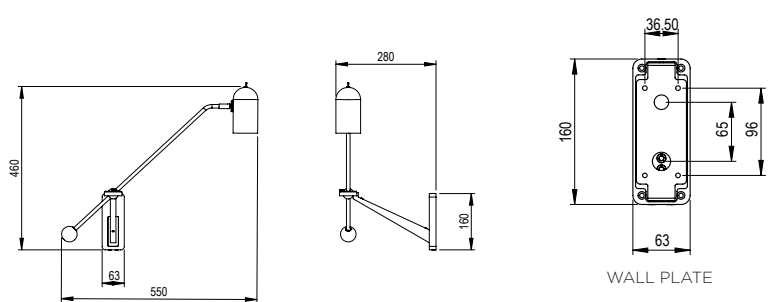
The precision of the engineering – a quality recognisable in all Bert Frank pieces – is very much on show in the Stasis collection. The ball joint that lies at the heart of each lamp is also the point of equilibrium.



BRONZED



POLISHED



WALL PLATE