

MARC WOOD



A hand spun shade suspended between two white glass orbs creating an echoed glow of light via the illusion of mirrored reflections.

Echo - 6 Piece Cluster (Wide)

Lamp

Dimensions cm

H 77cm x W 126cm x D 126cm

Dimensions inch

H 30.3in x W 49.6in x D 49.6in

Material

Glass + Brass

Weight

3 kg/ 6.6 lb

Specialists Finishes Available - metal

Brushed Nickel, Bronze, Antique Brass,
White Powder-coated

Suspension

3m/ 79in. Cable - Black
(Longer cable provided on request)

Canopy

White/ Brass finish plate with Cable
Placers as required,
Dia 38cm/ 19.6in x 3cm/ 1.3in
Bespoke colours available.
Can be inset or surface mounted.

Driver

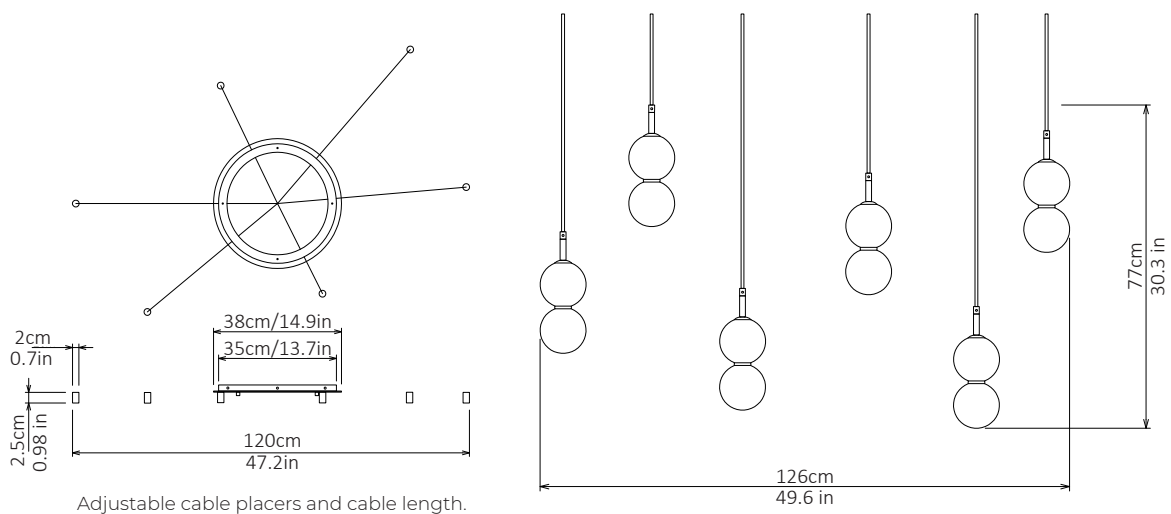
Dimmable driver included.

240V Illumination

Integrated LED
Lumens: 740lm x 6
Colour Temperature: 2700K
Dimmable: LED dimmer required

120V illumination

Integrated LED
Lumens: 740lm x 6
Colour Temperature: 2700K
Dimmable: LED dimmer required



Adjustable cable placers and cable length.