

FLOS

F1371009 White

Smithfield Suspension

Designed by Jasper Morrison, 2009



Halogen - 4 x 70W

Suspension lamp with direct light. Aluminium body. Available in gloss black, matt black, red, green, white or MUD. Injection-moulded opalescent methacrylate diffuser. Steel ceiling attachment with steel suspension cable, 5 pole electric cable in PTFE double insulation, working length 2700 mm.

Are you a professional and your project needs consulting and support?

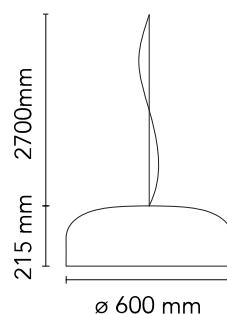
[BOOK AN APPOINTMENT](#)

Main specifications

EAN	8059607031261
Mounting	Suspension
Environments	Indoor dry location
Light Source Type	Bulb
Lamp category	Halogen
Lamp type	A70
Lamp holders	E27
Ilcos	HSGSA
Bulb finish	Frosted
Number of heads	4
Power (W)	70
System power (W)	280


Physical

Colour	White
Length (mm)	600
Cord length (mm)	2700
Net weight (kg)	4.5
Package volume (m3)	0.16
IP internal	20



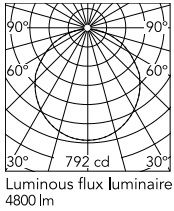
Download

[Mounting instructions](#)  PDF

[Spare Parts](#)  PDF



Schematic light drawing



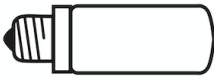
Photometric

Lighting type	Direct
Light distribution	Roto symmetric

Electrical

Insulation class	I
Frequency (Hz)	50/60
Main voltage (Vac)	220-250
LED voltage Vf (Vdc)	null
Dimmable	Yes
Dimming interface	Remote Dimmable (Dimmer Not Included)
Batteries inside	No

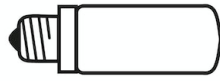
Bulbs



NOT INCLUDED

RF26259

LED Lamp 18W E27 2700K
Dimmable



NOT INCLUDED

RF26258

LED Lamp 18W E27 3000K T38
Dimmable



NOT INCLUDED

RF32288

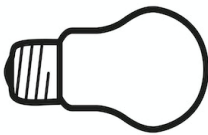
LED Lamp E27 15W 2700K T38



NOT INCLUDED

RF32289

LED Lamp E27 15W 3000K T38



NOT INCLUDED

RF32563

LED Lamp 11.5W E27 220-240V
2700K A70

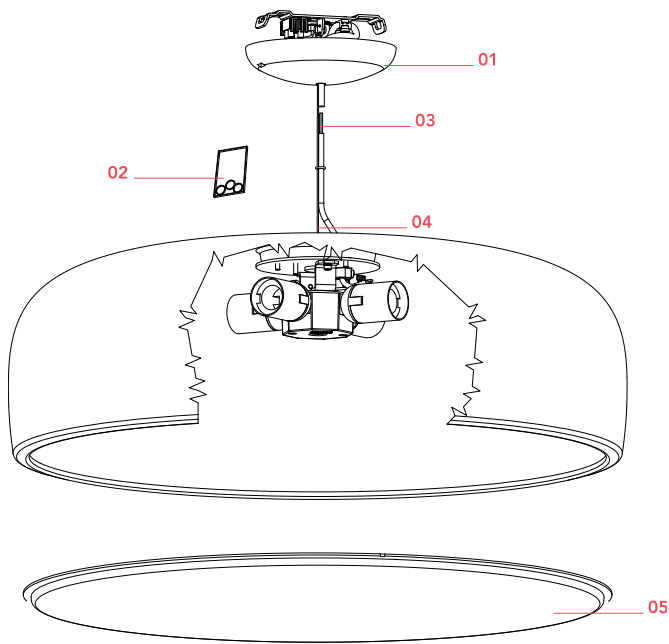


NOT INCLUDED

RF32564

LED Lamp 11.5W E27 220-240V
3000K A70

Spare Parts



- | | | |
|-----|--|-----------|
| 01. | White rose assembly | RA3690209 |
| 02. | Kit of 5 or rings | RF05382 |
| 04. | 3 mt steel cable \varnothing 1,2 with 19
winded wires | RF29665 |
| 05. | Methacrylate diffuser | RF19022 |

DOWNLOAD



RA3690209

White rose assembly



RF05382

Kit of 5 or rings



RF29665

3 mt steel cable \varnothing 1,2 with 19
winded wires



RF19022

Methacrylate diffuser

FLOS

F1369009 White

Smithfield Suspension Pro dimmable DALI

Designed by Jasper Morrison, 2009



45W - 2791lm - 2700K

Suspension lamp with direct light. Aluminium body. Available in gloss black, white, matt black, green, red or MUD. Injection-moulded opalescent methacrylate diffuser. Steel ceiling attachment with steel suspension cable, 5 pole electric cable in PTFE double insulation, working length 2700 mm. Control DALI dimmable.

Are you a professional and your project needs consulting and support?

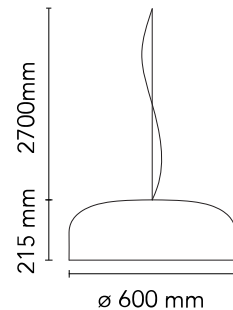
[BOOK AN APPOINTMENT](#)

Main specifications

EAN	8059607015117
Mounting	Suspension
Environments	Indoor dry location
Light Source Type	LED
LED type	LED Module
Power (W)	45
System flux (lm)	2791

Physical

Colour	White
Cord length (mm)	2700
Net weight (kg)	5.8
Package volume (m3)	0.16
IP internal	20



Download

[Mounting instructions](#) PDF

[Spare Parts](#) PDF

Photometric Files

[LDT / IES](#) LDT

Technical Drawings

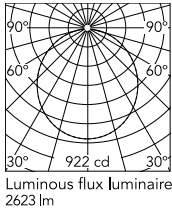
[2D](#) ZIP

[3D](#) ZIP

[Bim](#) ZIP



Schematic light drawing



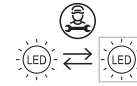
Photometric

Lighting type	Direct
Light distribution	Roto symmetric
CCT (K)	2700

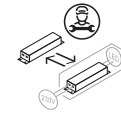
Electrical

Insulation class	I
Frequency (Hz)	50/60
Main voltage (Vac)	200-240
LED voltage Vf (Vdc)	null
Driver	Integrated
Dimmable	Yes
Dimming type	Dimmable DALI 1
Dimming interface	Remote Dimmable (Dimmer Not Included)
Batteries inside	No
Charging min time	No

Ecodesign and Energy Labelling

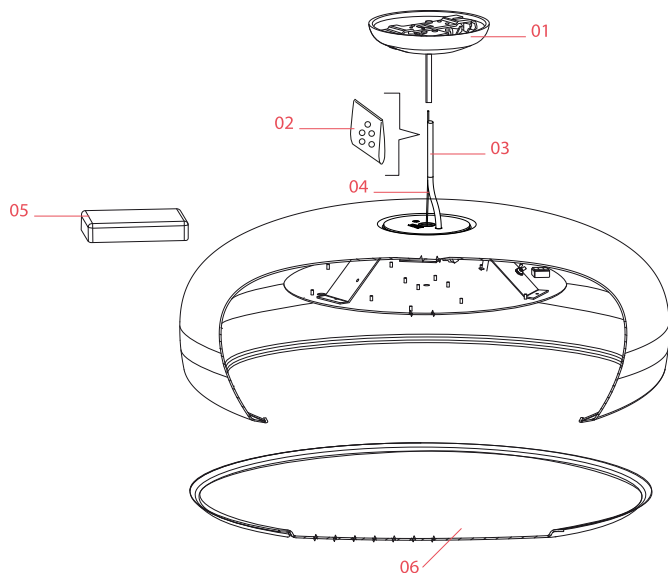


Replaceable (LED only)
light source by a
professional



Replaceable control
gear by a professional

Spare Parts



DOWNLOAD

FLOS

F1367009 White

Smithfield Suspension Pro

Designed by Jasper Morrison, 2009



45W - 2791lm - 2700K - CRI> 95

Suspension lamp with direct light. Aluminium body. Available in gloss black, matt black, red, green, white or MUD. Injection-moulded opalescent methacrylate diffuser. Steel ceiling attachment with steel suspension cable, 5 pole electric cable in PTFE double insulation, working length 2700mm.

Are you a professional and your project needs consulting and support?

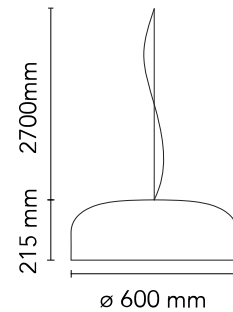
[BOOK AN APPOINTMENT](#)

Main specifications

EAN	8059607014950
Mounting	Suspension
Environments	Indoor dry location
Light Source Type	LED
LED type	LED Module
Power (W)	45
System flux (lm)	2791

Physical

Colour	White
Cord length (mm)	2700
Net weight (kg)	5.8
Package height (mm)	310
Package width (mm)	710
Package length (mm)	710
Package volume (m3)	0.16
IP internal	20



Download

[Mounting instructions](#) PDF

[Spare Parts](#) PDF

Photometric Files

[LDT / IES](#) LDT

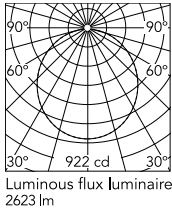
Technical Drawings

[3D](#) ZIP

[Bim](#) ZIP



Schematic light drawing



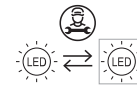
Photometric

Lighting type	Direct
Light distribution	Roto symmetric
CCT (K)	2700
CRI>	95

Electrical

Insulation class	I
Frequency (Hz)	50/60
Main voltage (Vac)	200-240
LED voltage Vf (Vdc)	null
Driver	Integrated
Dimming type	Dimmable Push
Batteries inside	No
Charging min time	No

Ecodesign and Energy Labelling

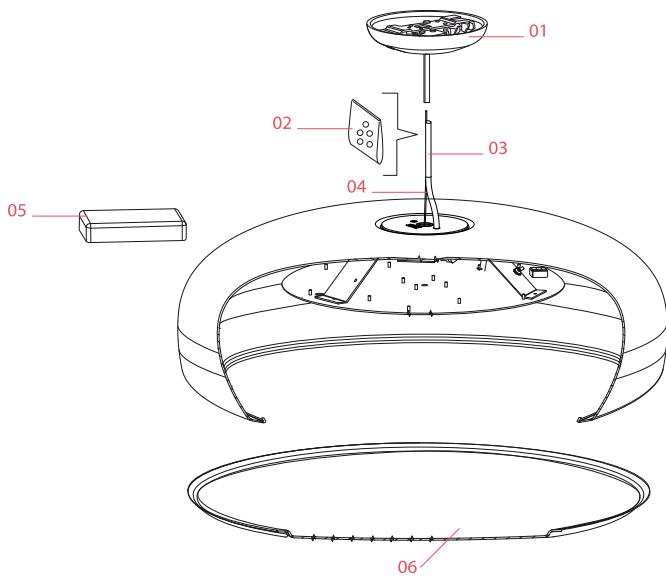


Replaceable (LED only)
light source by a
professional



Replaceable control
gear by a professional

Spare Parts



- | | | |
|-----|--|-----------|
| 01. | White rose assembly | RA3690209 |
| 02. | Kit of 5 or rings | RF05382 |
| 03. | 2,7mt fep/pvc 5x0,75 transparent cable | RF29934 |
| 04. | 3 mt steel cable ø1,2 with 19 winded wires | RF29665 |
| 06. | Methacrylate diffuser | RF19022 |

DOWNLOAD



RA3690209

White rose assembly



RF05382

Kit of 5 or rings



RF29934

2,7mt fep/pvc 5x0,75 transparent cable

FLOS

RF29665

3 mt steel cable ø1,2 with 19 wined wires



RF19022

Methacrylate diffuser