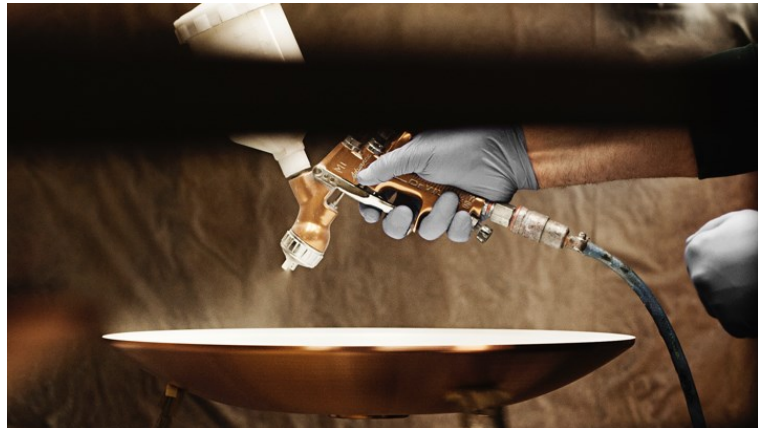


# SKOT WALL

The fixture is available with two types of distribution: symmetric or half shaded. The half shaded is only recommended for wall mounting. The opal diffuser creates a soft light distribution. For higher efficiency the clear version can be selected.



## Product info

### Environmental Product Specification

This product is compliant with the requirements contained in the European Directives, RoHS Directive 2011/65 and 2015/863. This product is designed so that 100% of the product can be disassembled and reused.

### Information

The innovation of the LED technology is constant. The specifications mentioned are based on present technology.

### Mounting

Terminal strip: 1x5x6mm<sup>2</sup>. Cable access: 6 rear and 3 push-out blanks on each side, Ø19mm. Looping: Approved, max. 4x2.5mm<sup>2</sup>.

### Finish

Aluminium coloured or graphite with textured surface, powder coated.

### Materials

Diffuser: Injection moulded clear polycarbonate or injection moulded opal polycarbonate. Base/cross guard: Die cast aluminium.

### Sizes and weights

Width x Height x Length (mm) | 239 x 155 x 239 Max 3.0 kg

### Class

Ingress protection IP66. Electric shock protection II w/o ground. IK10.

### Light source

LED 3000K 6.5W  
Lumen: 522

### Information

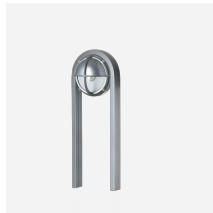
The innovation of the LED technology is constant. The specifications mentioned are based on present technology.



## Related products



Skot Ceiling



Skot Bollard



Skot LED Upgrade Kit

## Product variants

Colour	Light source	Lumen	Shield
● Aluminium colour	LED 3000K 6.5W	381	CLEAR
● Graphite grey texture	LED 4000K 6.5W	388	HALF SHADED CLEAR
		505	HALF SHADED OPAL
		514	OPAL
		522	
		530	
		660	
		671	

# Product description

The design is based on a half sphere with a reinforcing crossguard.  
A half shield, a clear diffuser or an opal diffuser covers the lamp.  
The maritime design underlines the robustness of the fixture.  
The fixture can be installed under a ceiling as well.  
Different colour variants.  
EU: Part of a family.

---

## Mounting

EU:  
TC-DEL: Terminal block: 1x4x2.5mm<sup>2</sup>. Cable entries: 2x rear entries. 1x top entry, 1x side entry in each side and 3x bottom entries. Looping: Approved, max. 4x1,5mm<sup>2</sup>.  
LED: Terminal strip: 1x5x6mm<sup>2</sup>. Cable access: 6 rear and 3 push-out blanks on each side, Ø19mm. Looping: Approved, max. 4x2,5mm<sup>2</sup>.  
US:  
Integral electronic constant current, class II driver for 120-277V operation.  
Back plate dimension: 11.7" diameter. Mounts over outlet box. Requires 4 x 0.2" bolts and anchors or similar hardware suitable for wall material (not provided). Caulking required between wall and back plate for wet locations (not provided).

---

## Light description

The fixture emits asymmetrical light directed downwards or symmetrical light outwards.  
The asymmetric is only recommended for wall mounting.  
The opal diffuser creates a soft light distribution.  
The half shield and opal version creates a comfortable non-glaring light distribution.  
The version with clear diffuser gives a significant light.  
LED technology with more options of standard CCTs.  
Electronic driver

---

## Design

LK as

---

## Material

Housing, half shield and crossguard: Die cast aluminium. EU: Painted in aluminium colour or graphite grey, powder coated finish. 2mm thick. US: Painted in aluminium colour or silver grey, powder coated finish. 0.08" thick.  
Reflector: Highly reflective white finish symmetrical reflector for general lighting or asymmetric reflector for downlighting. 1.0mm (0.04") thick.  
Enclosure: Injection moulded UV stabilized clear or opal polycarbonate. 2.5mm (0.1") thick.  
Diffuser: sandblasted glass. 2mm (0.08") thick.  
Heat sink: Aluminium.

---

## Weight

Min: 2.725 kg Max: 2.995 kg

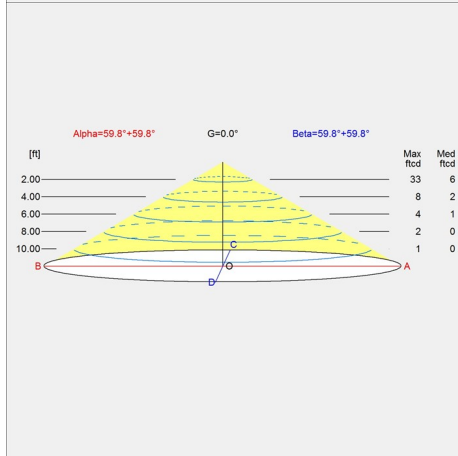
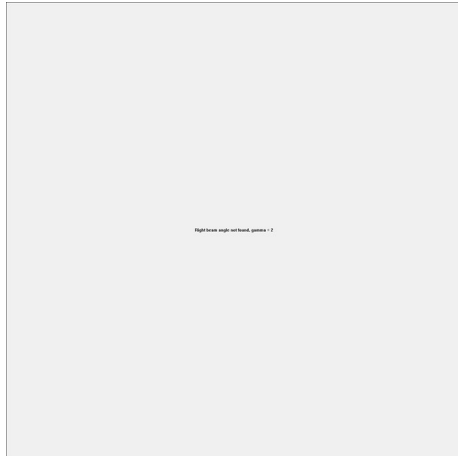
---

# Finish

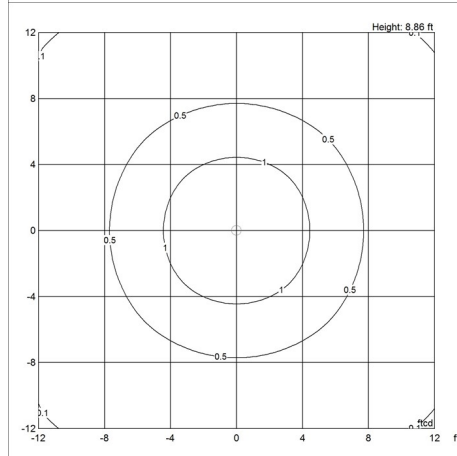
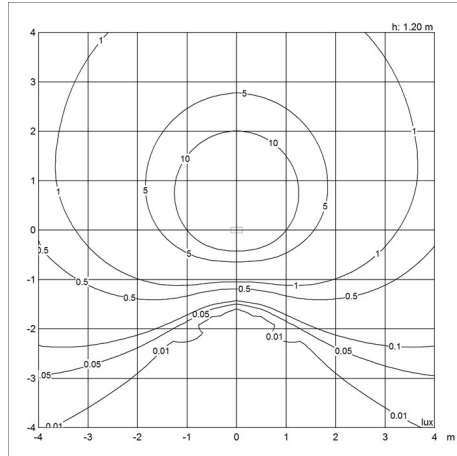
Aluminium colour, Graphite grey texture

# Light distribution diagrams

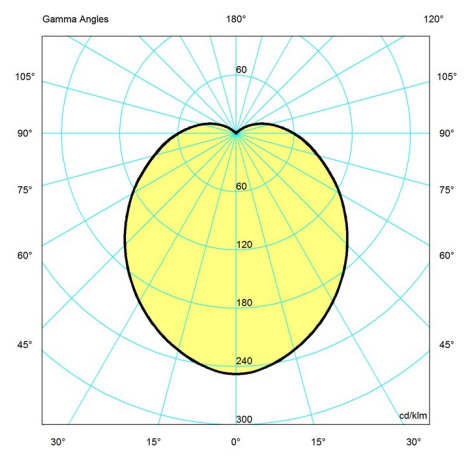
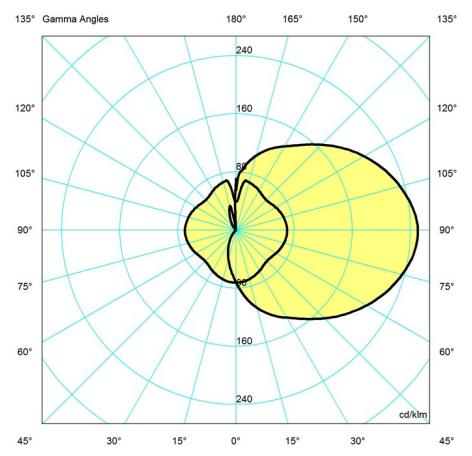
## Cartesian



## Isolux



## Polar



## Spare parts & accessories

Product	Variant number
Skot diffuser, clear	5743146187
Skot diffuser, opal	5743146190
Skot gasket for diffuser	5743146271
Skot half net, alu	5743146284
Skot half net, graphite	5743146297
Skot net, alu	5743146556
Skot net, graphite	5743146569
Skot, 4 unbrako screws m6x30	5743146572
Skot diffuser, semi-shielded alu	5743163115