



### COMPONENTS OF PACKAGING:

1 Sfera light, 1 ceiling canopy, 1 power cable, 1 light body cover, 3 terminal connectors, 1 hex key size 1.5, 1 hex key size 2, 1 hex key size 2.5, 2 set screws M5x16, 1 pair cotton gloves, installation manual (THE LIGHT SOURCE IS NOT INCLUDED IN THE PACKAGE)

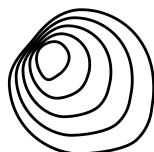
### WARNING:

**Installation must be carried out by a qualified electrician only.**

**Switch off power at main circuit panel prior to installation!**

**The manufacturer assumes no liability for damage occurring during transport or resulting from incorrect installation.**

**Installation time: 30min. / 1 person**



BROKIS®

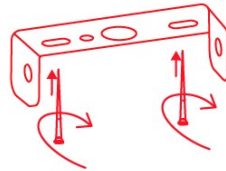
BROKIS S.R.O.  
ŠPANIĚLOVA 1315/25  
163 00 PRAHA 6 - ŘEPY  
CZECH REPUBLIC

ORG. ID 64940799  
VAT ID CZ64940799  
C 42174 MĚSTSKÝ SOUD  
V PRAZE

TEL +420 567 211 517  
TECHNICAL@BROKIS.CZ  
INFO@BROKIS.CZ  
WWW.BROKIS.CZ

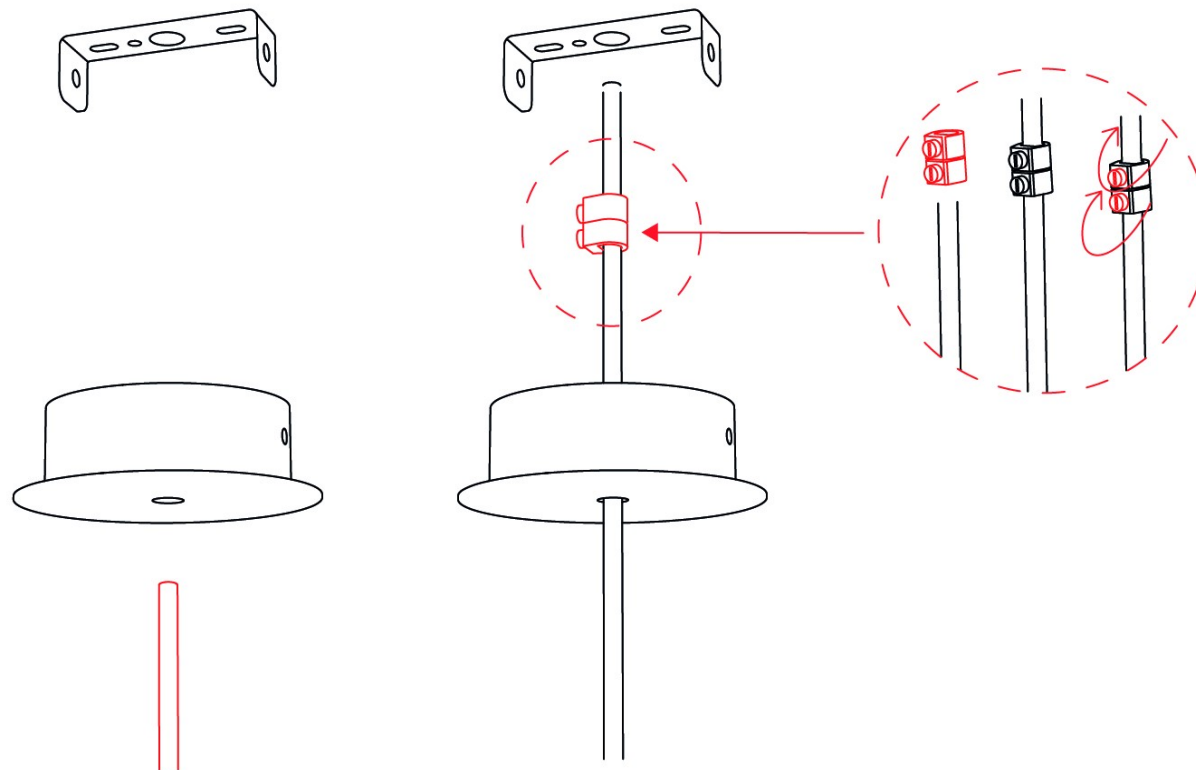
## 1. INSTALLING THE CEILING CANOPY BRACKET

Use anchors of sufficient strength (not included) and secure the canopy bracket to the ceiling. With regard to various types of ceilings, we recommend consulting installation with an expert. The manufacturer assumes no liability for incorrect installation, the use of improper anchors, or defects in the material to which the bracket is secured.



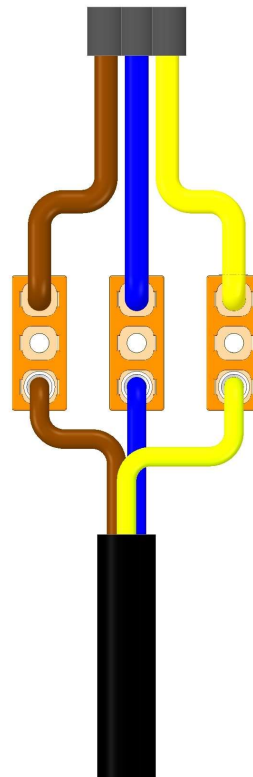
## 2. INSTALLING THE POWER CABLE

Pass the power cable through the grommet in the ceiling canopy, adjust the length as needed, and secure with two plastic cable stops.



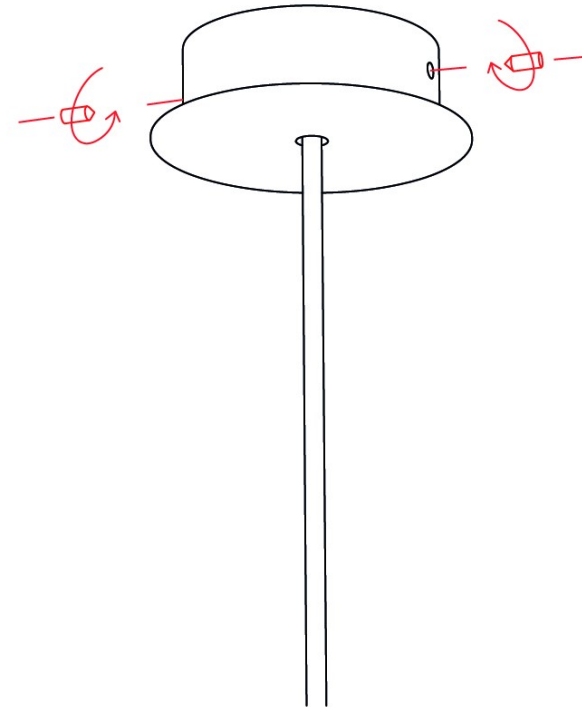
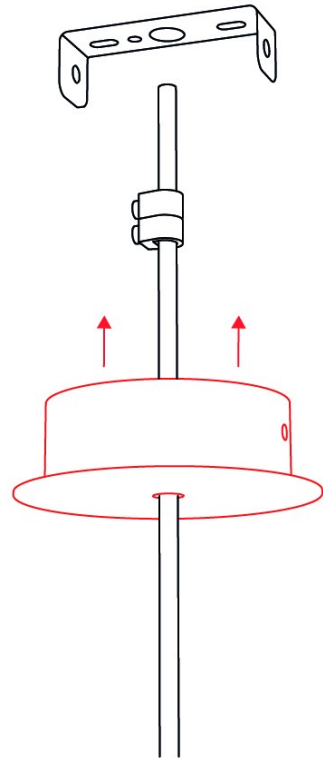
### 3. CONNECTING THE LIGHT TO THE BUILDING WIRING

Connect the light to the building wiring according to the connection diagram.



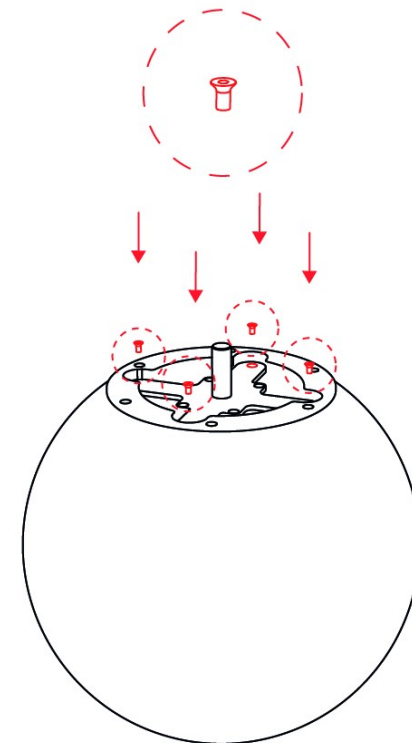
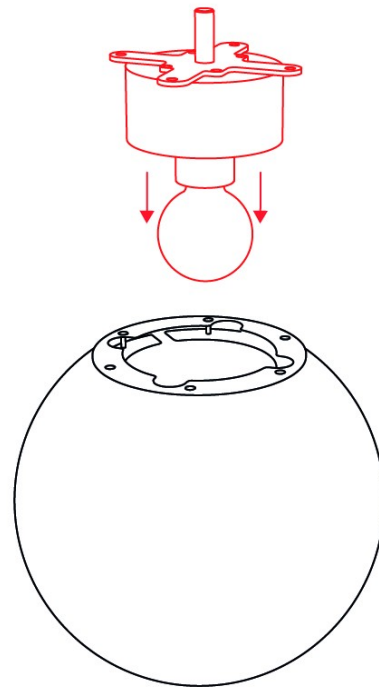
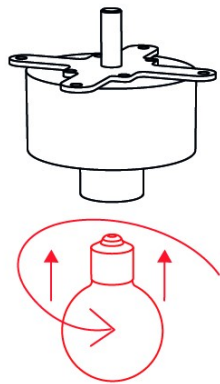
#### 4. INSTALLING THE CEILING CANOPY

Use the two set screws and the hex key to attach the ceiling canopy to the bracket.



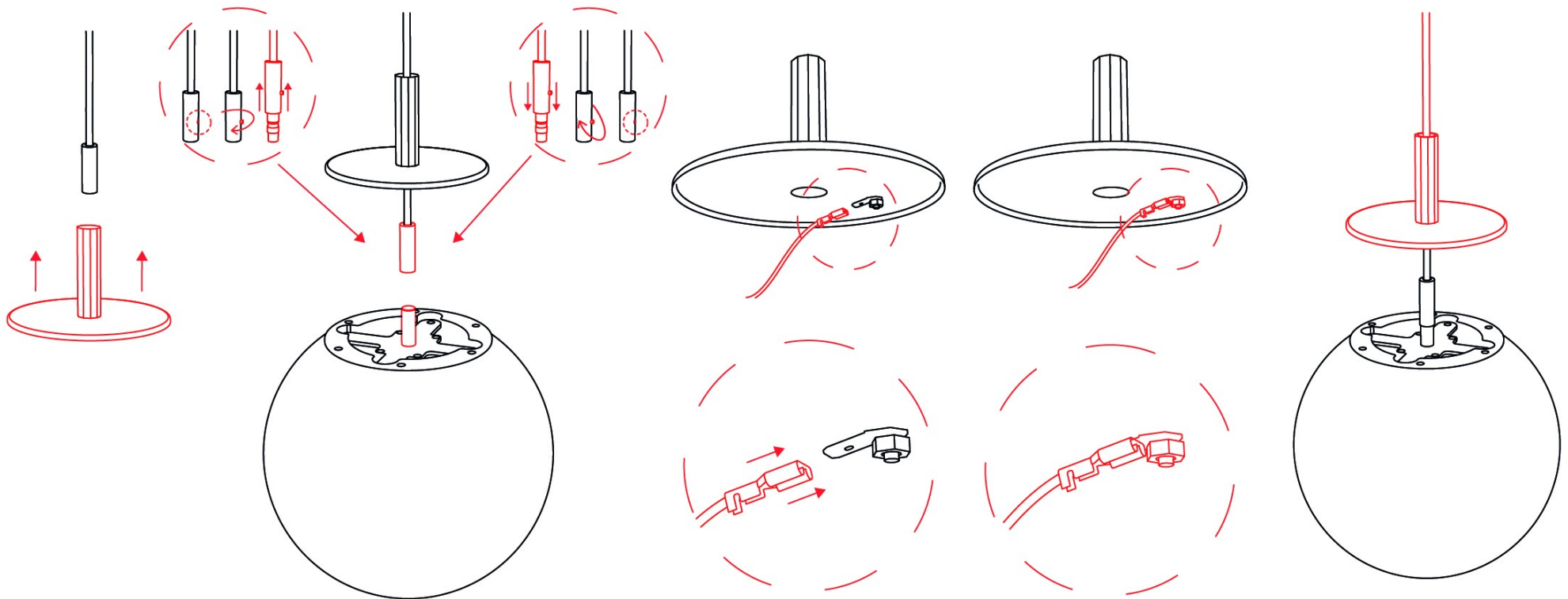
## 5. INSTALLING THE LIGHT SOURCE

Install the light source. Insert the fixture with the source into the glass shade and fasten four screws (M6x3). Use a size 2 Allen key.



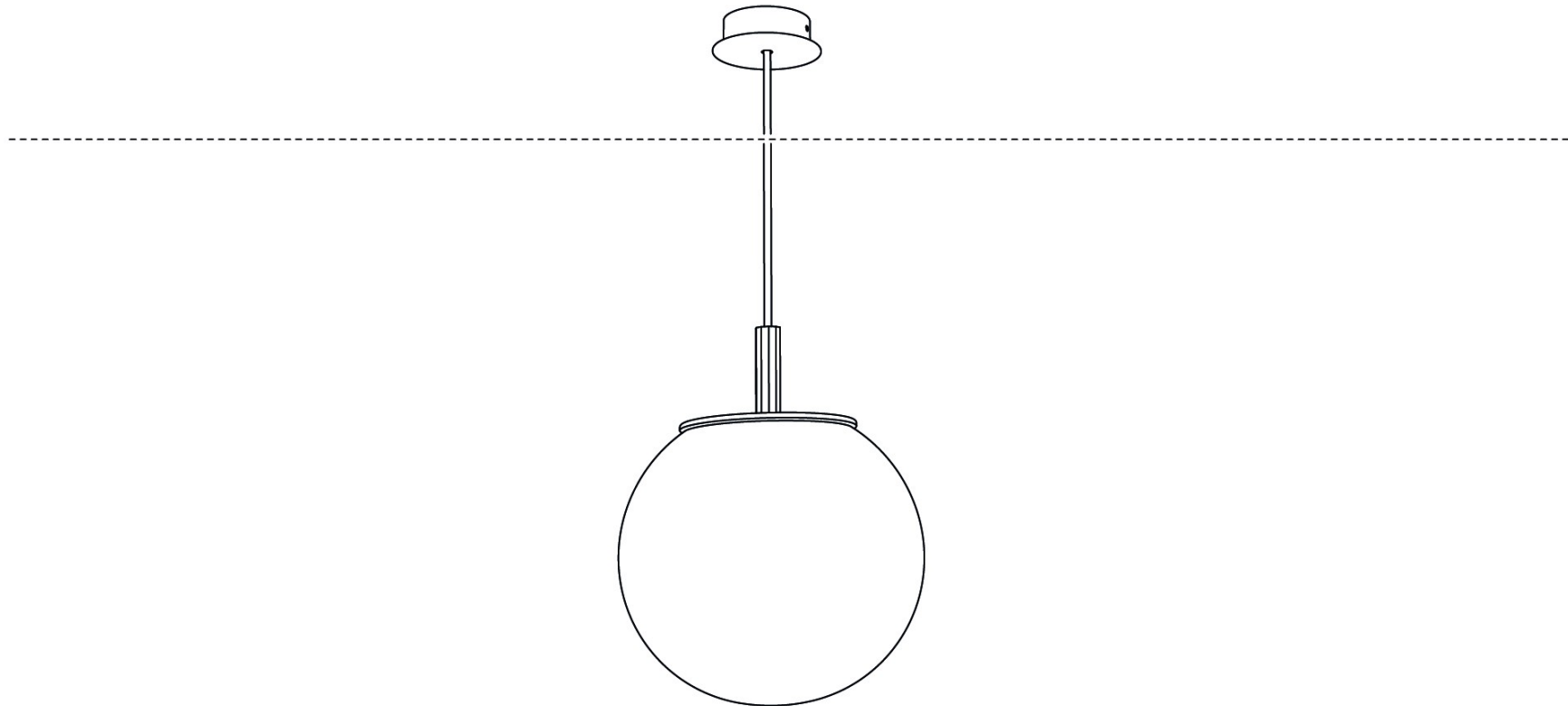
## 6. INSTALLING THE LIGHT

- Pass the power cable through the socket cover.
- Loosen the set screw on the power cable connector. Insert the power cable connector into the connector on the light and secure the sleeve by retightening the set screw.
- Connect the ground wire on the socket cover using the connector.



## 7. SWITCHING ON THE LIGHT

Restore power at the main circuit panel and verify that the light works properly.





# INSTALLATION MANUAL

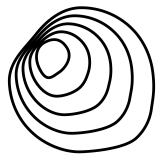
## SFERA PC1168

Pendent light



**The luminaire can be treated with common cleaning agents.  
Do not use solvents or abrasive cleaners (powders).**

**PRIOR TO SHIPPING, THE FUNCTIONALITY OF EACH LIGHT AND ITS COMPONENTS IS THOROUGHLY TESTED. THE MANUFACTURER ASSUMES NO LIABILITY FOR THE MISHANDLING OF PRODUCTS.**



**BROKIS®**

BROKIS S.R.O.  
ŠPANILOVA 1315/25  
163 00 PRAHA 6 - ŘEPY  
CZECH REPUBLIC

ORG. ID 64940799  
VAT ID CZ64940799  
C 42174 MĚSTSKÝ SOUD  
V PRAZE

TEL +420 567 211 517  
TECHNICAL@BROKIS.CZ  
INFO@BROKIS.CZ  
WWW.BROKIS.CZ

# INSTALLATION MANUAL

## SFERA PC1246

Pendent light



### COMPONENTS OF PACKAGING:

1 Sfera light, 1 ceiling canopy, 1 power cable, 1 light body cover, 3 terminal connectors, 1 hex key size 1.5, 1 hex key size 2, 1 hex key size 2.5, 2 set screws M5x16, 1 pair cotton gloves, installation manual (THE LIGHT SOURCE IS NOT INCLUDED IN THE PACKAGE)

### WARNING:

**Installation must be carried out by a qualified electrician only.**

**Switch off power at main circuit panel prior to installation!**

**The manufacturer assumes no liability for damage occurring during transport or resulting from incorrect installation.**

**Installation time: 30min. / 1 person**



BROKIS®

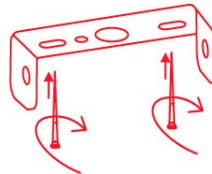
BROKIS S.R.O.  
ŠPANIĚLOVA 1315/25  
163 00 PRAHA 6 - ŘEPY  
CZECH REPUBLIC

ORG. ID 64940799  
VAT ID CZ64940799  
C 42174 MĚSTSKÝ SOUD  
V PRAZE

TEL +420 567 211 517  
TECHNICAL@BROKIS.CZ  
INFO@BROKIS.CZ  
WWW.BROKIS.CZ

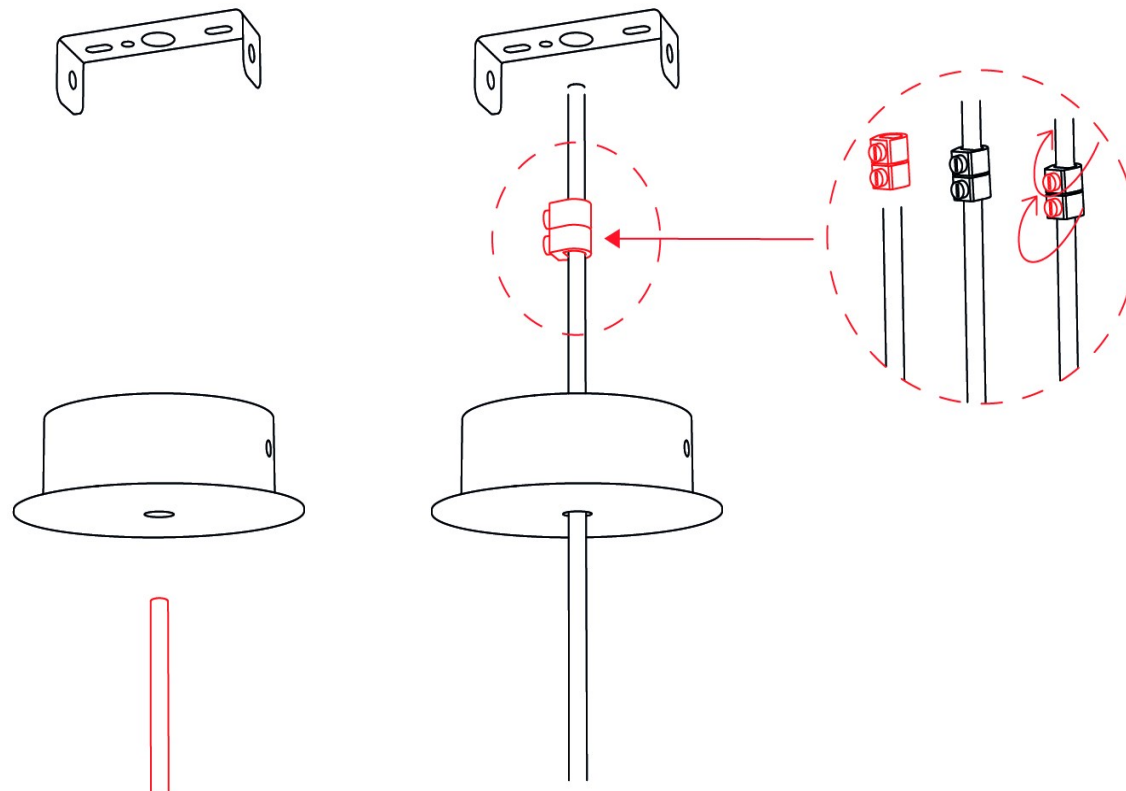
## 1. INSTALLING THE CEILING CANOPY BRACKET

Use anchors of sufficient strength (not included) and secure the canopy bracket to the ceiling. With regard to various types of ceilings, we recommend consulting installation with an expert. The manufacturer assumes no liability for incorrect installation, the use of improper anchors, or defects in the material to which the bracket is secured.



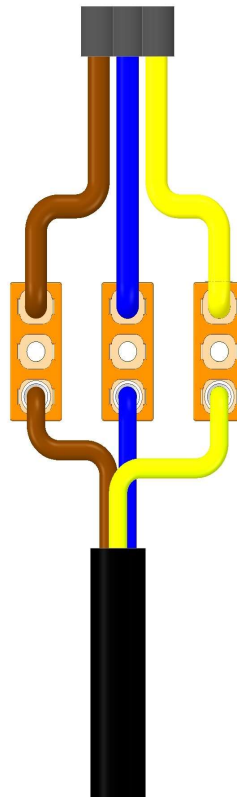
## 2. INSTALLING THE POWER CABLE

Pass the power cable through the grommet in the ceiling canopy, adjust the length as needed, and secure with two plastic cable stops.



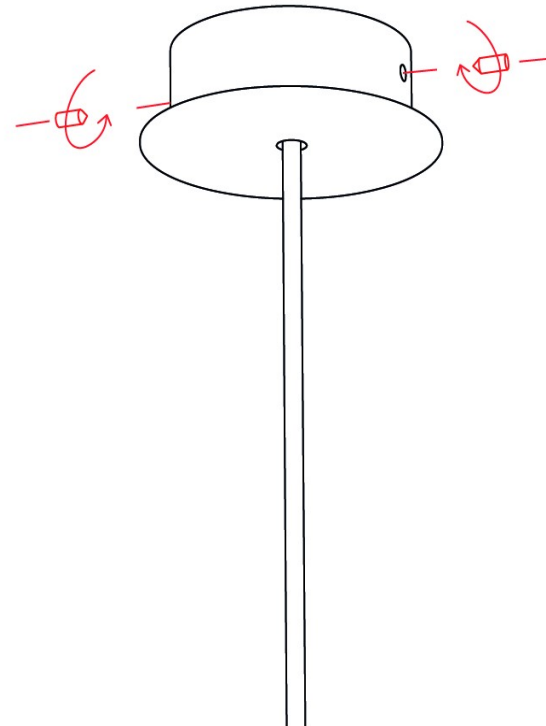
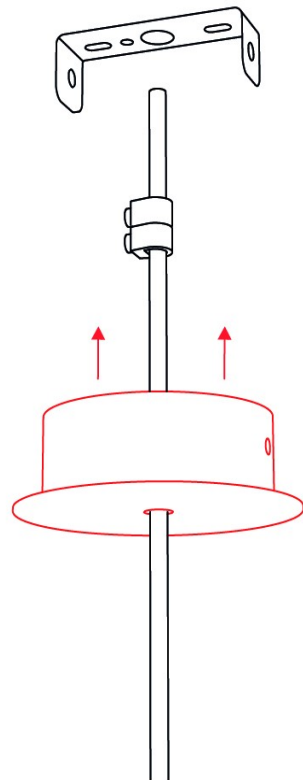
### 3. CONNECTING THE LIGHT TO THE BUILDING WIRING

Connect the light to the building wiring according to the connection diagram.



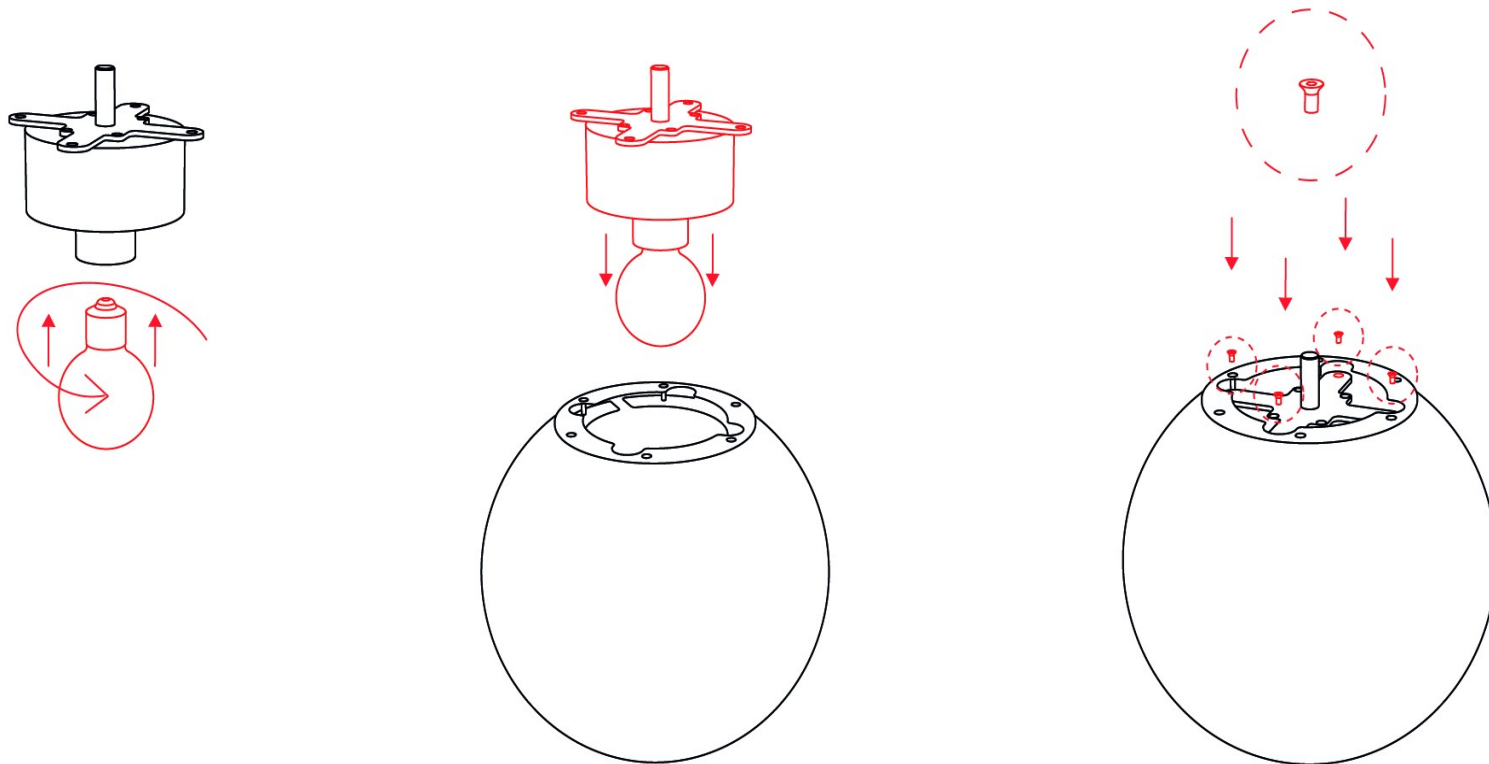
#### 4. INSTALLING THE CEILING CANOPY

Use the two set screws and the hex key to attach the ceiling canopy to the bracket.



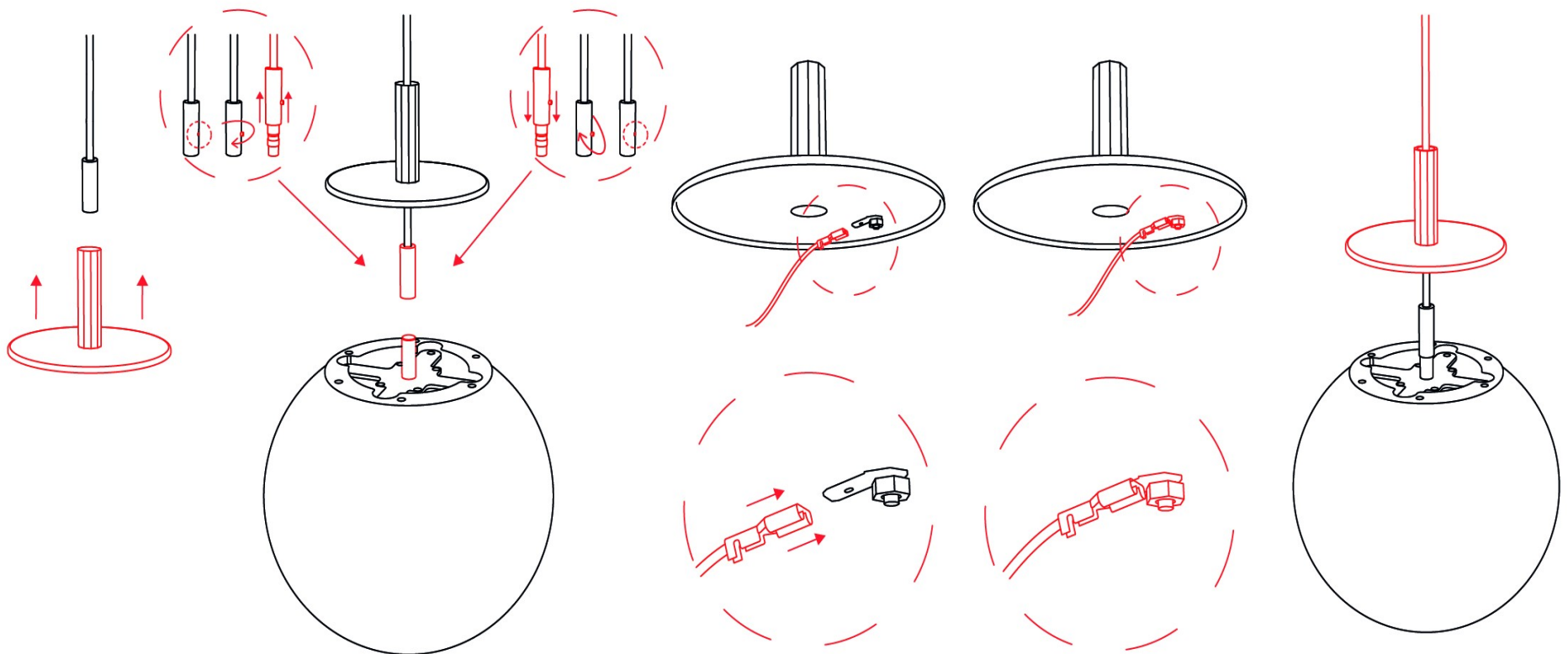
## 5. INSTALLING THE LIGHT SOURCE

Install the light source. Insert the fixture with the source into the glass shade and fasten four screws (M6x3). Use a size 2 Allen key.



## 6. INSTALLING THE LIGHT

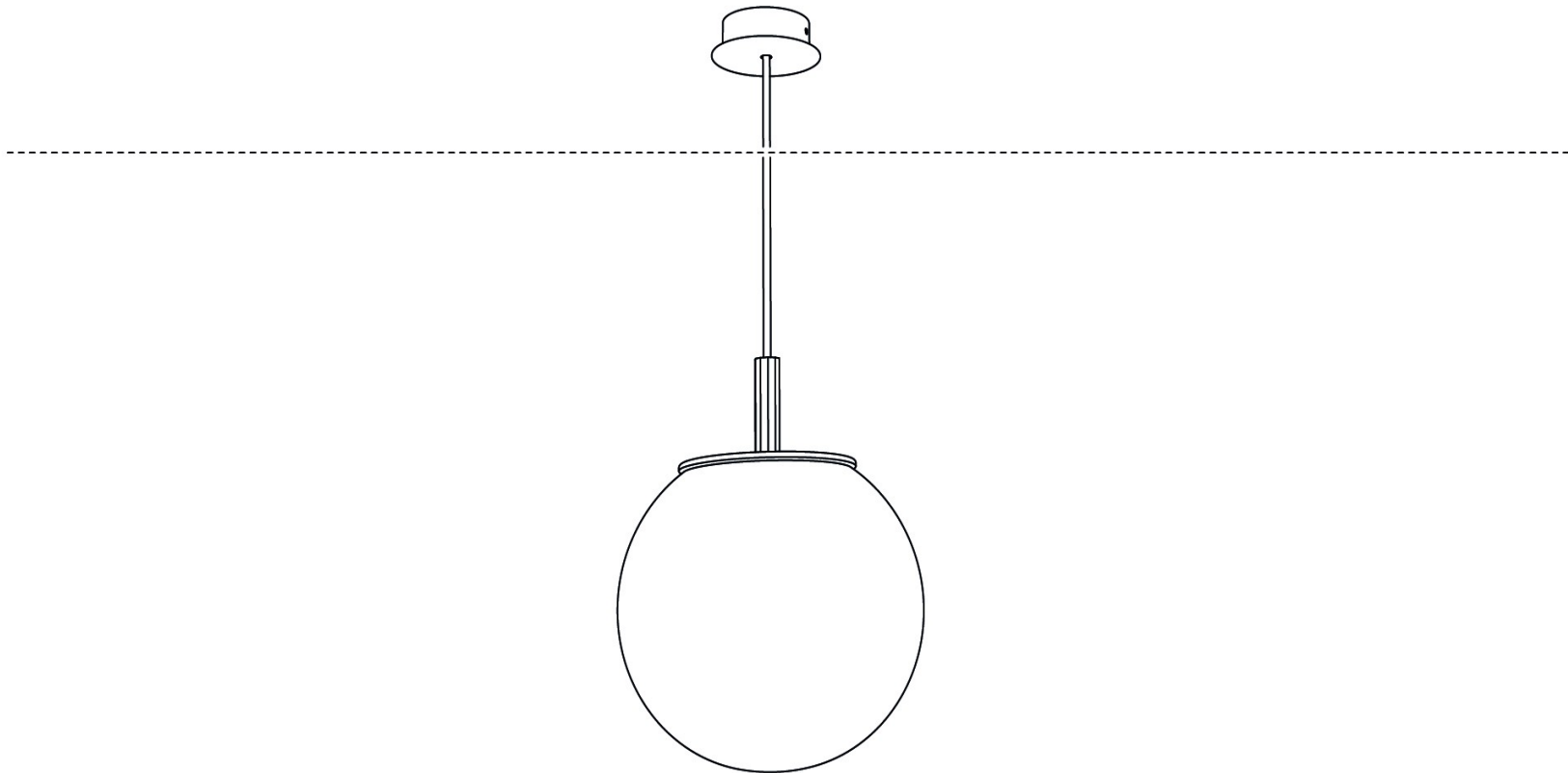
- Pass the power cable through the socket cover.
- Loosen the set screw on the power cable connector. Insert the power cable connector into the connector on the light and secure the sleeve by retightening the set screw.
- Connect the ground wire on the socket cover using the connector.





## 7. SWITCHING ON THE LIGHT

Restore power at the main circuit panel and verify that the light works properly.



# INSTALLATION MANUAL

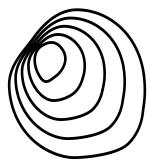
## SFERA PC1246

Pendent light



**The luminaire can be treated with common cleaning agents.  
Do not use solvents or abrasive cleaners (powders).**

**PRIOR TO SHIPPING, THE FUNCTIONALITY OF EACH LIGHT AND ITS COMPONENTS IS THOROUGHLY TESTED. THE MANUFACTURER ASSUMES NO LIABILITY FOR THE MISHANDLING OF PRODUCTS.**



**BROKIS®**

BROKIS S.R.O.  
ŠPANIELOVA 1315/25  
163 00 PRAHA 6 - ŘEPY  
CZECH REPUBLIC

ORG. ID 64940799  
VAT ID CZ64940799  
C 42174 MĚSTSKÝ SOUD  
V PRAZE

TEL +420 567 211 517  
TECHNICAL@BROKIS.CZ  
INFO@BROKIS.CZ  
WWW.BROKIS.CZ



### COMPONENTS OF PACKAGING:

1 Sfera light, 1 ceiling canopy, 1 power cable, 1 light body cover, 3 terminal connectors, 1 hex key size 1.5, 1 hex key size 2, 1 hex key size 2.5, 2 set screws M5x16, 1 pair cotton gloves, installation manual (THE LIGHT SOURCE IS NOT INCLUDED IN THE PACKAGE)

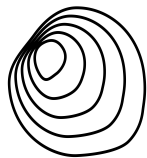
### WARNING:

**Installation must be carried out by a qualified electrician only.**

**Switch off power at main circuit panel prior to installation!**

**The manufacturer assumes no liability for damage occurring during transport or resulting from incorrect installation.**

**Instalation time: 30min. / 1 person**



BROKIS®

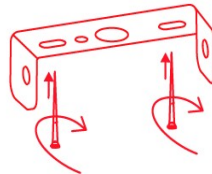
BROKIS S.R.O.  
ŠPANIĚLOVA 1315/25  
163 00 PRAHA 6 - ŘEPY  
CZECH REPUBLIC

ORG. ID 64940799  
VAT ID CZ64940799  
C 42174 MĚSTSKÝ SOUD  
V PRAZE

TEL +420 567 211 517  
TECHNICAL@BROKIS.CZ  
INFO@BROKIS.CZ  
WWW.BROKIS.CZ

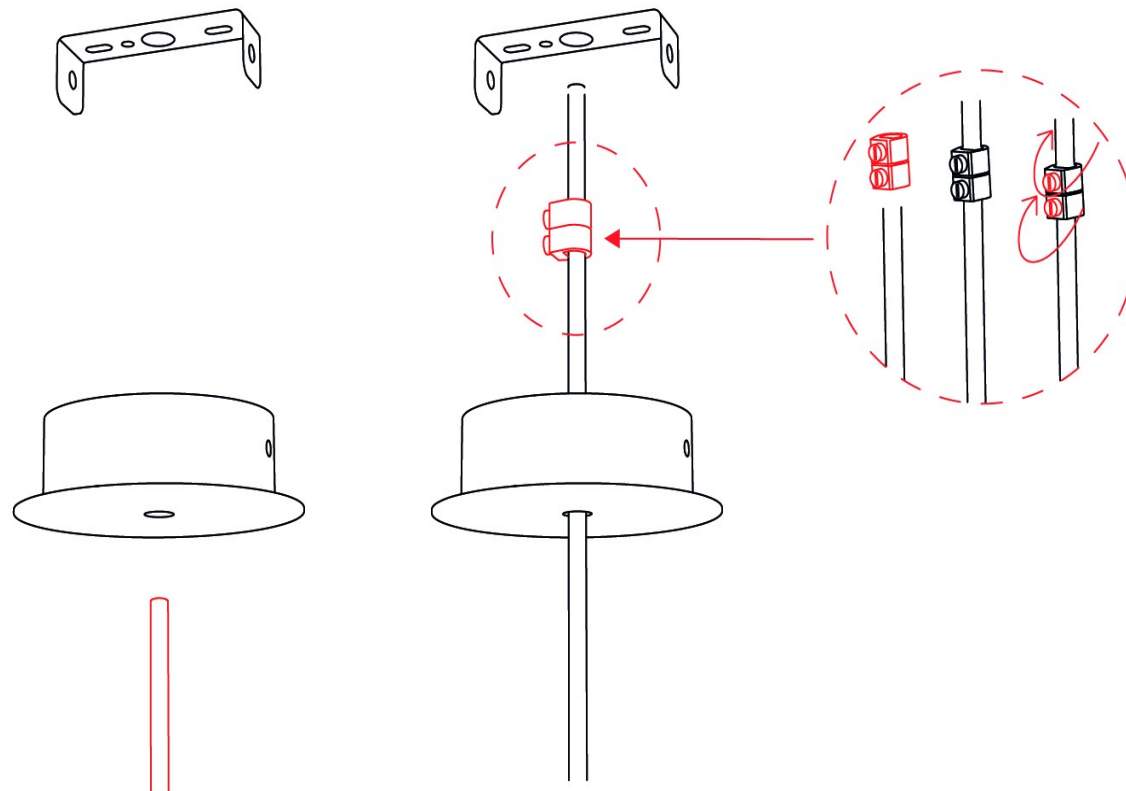
## 1. INSTALLING THE CEILING CANOPY BRACKET

Use anchors of sufficient strength (not included) and secure the canopy bracket to the ceiling. With regard to various types of ceilings, we recommend consulting installation with an expert. The manufacturer assumes no liability for incorrect installation, the use of improper anchors, or defects in the material to which the bracket is secured.



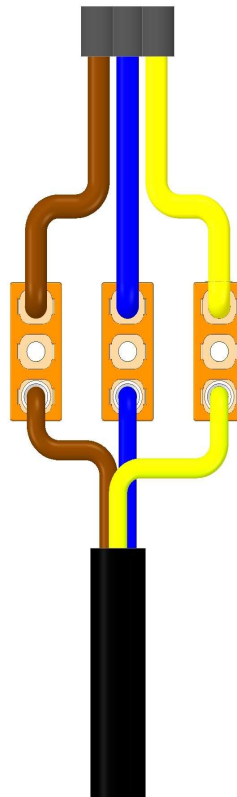
## 2. INSTALLING THE POWER CABLE

Pass the power cable through the grommet in the ceiling canopy, adjust the length as needed, and secure with two plastic cable stops.



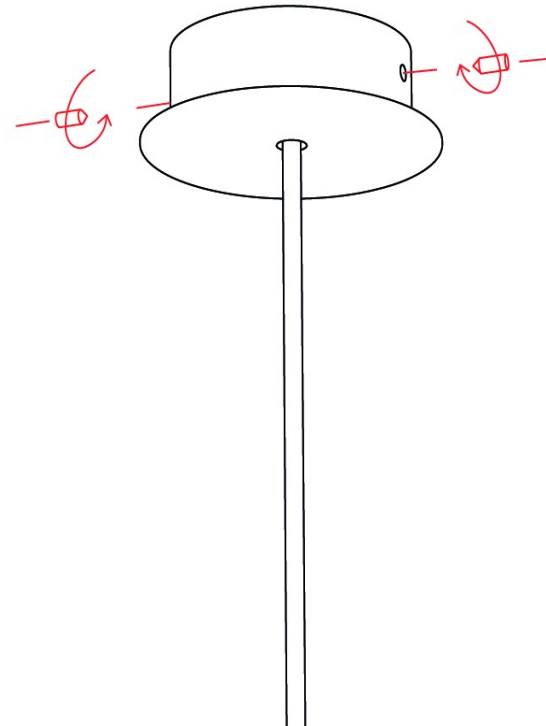
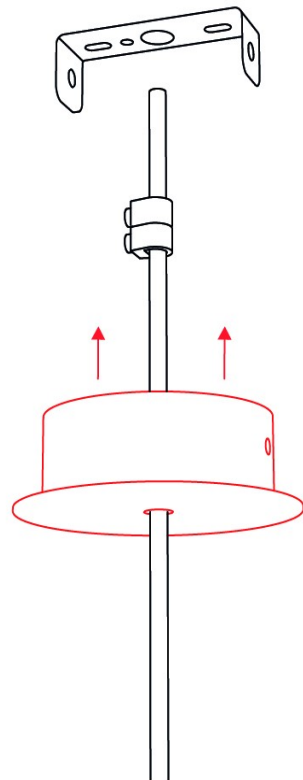
### 3. CONNECTING THE LIGHT TO THE BUILDING WIRING

Connect the light to the building wiring according to the connection diagram.



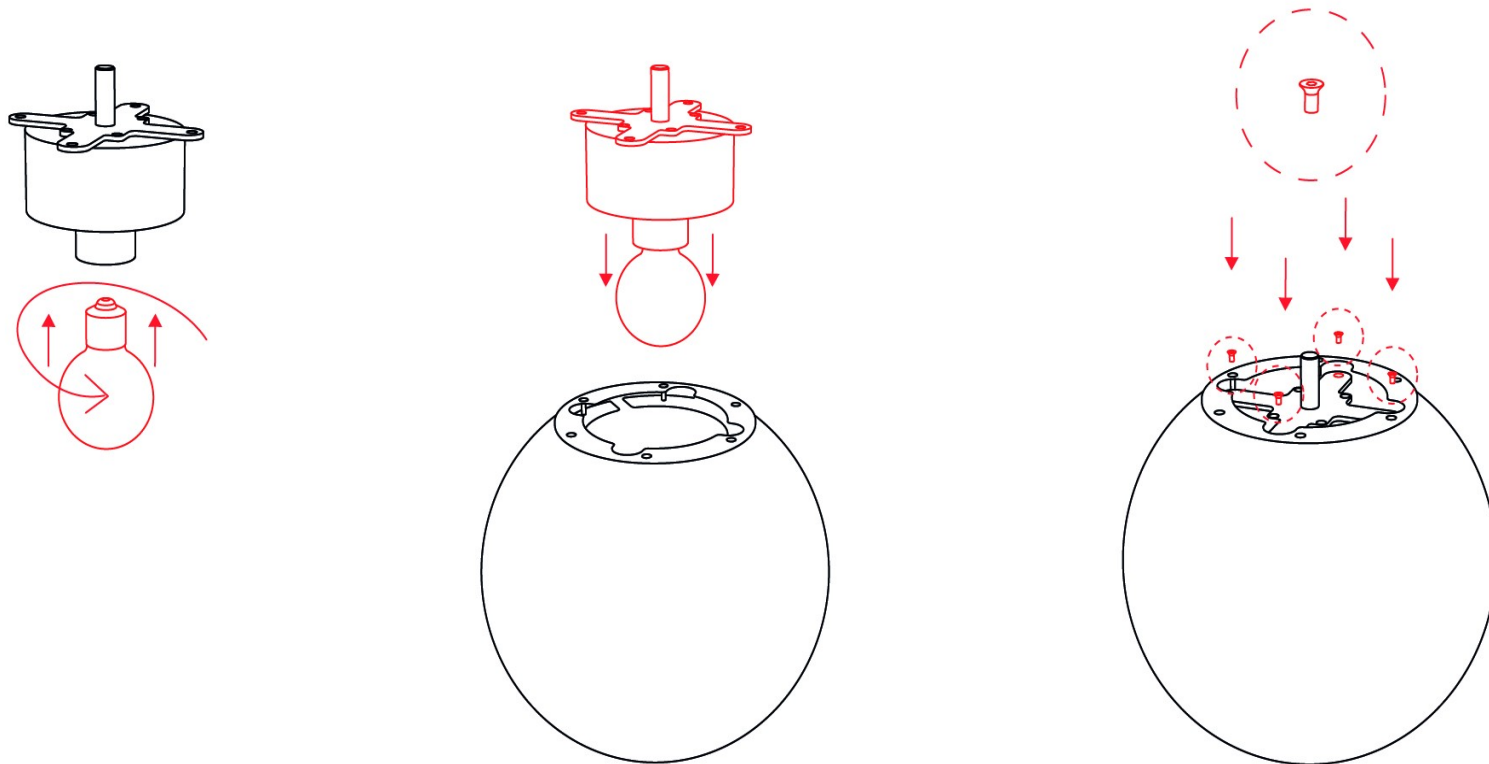
#### 4. INSTALLING THE CEILING CANOPY

Use the two set screws and the hex key to attach the ceiling canopy to the bracket.



## 5. INSTALLING THE LIGHT SOURCE

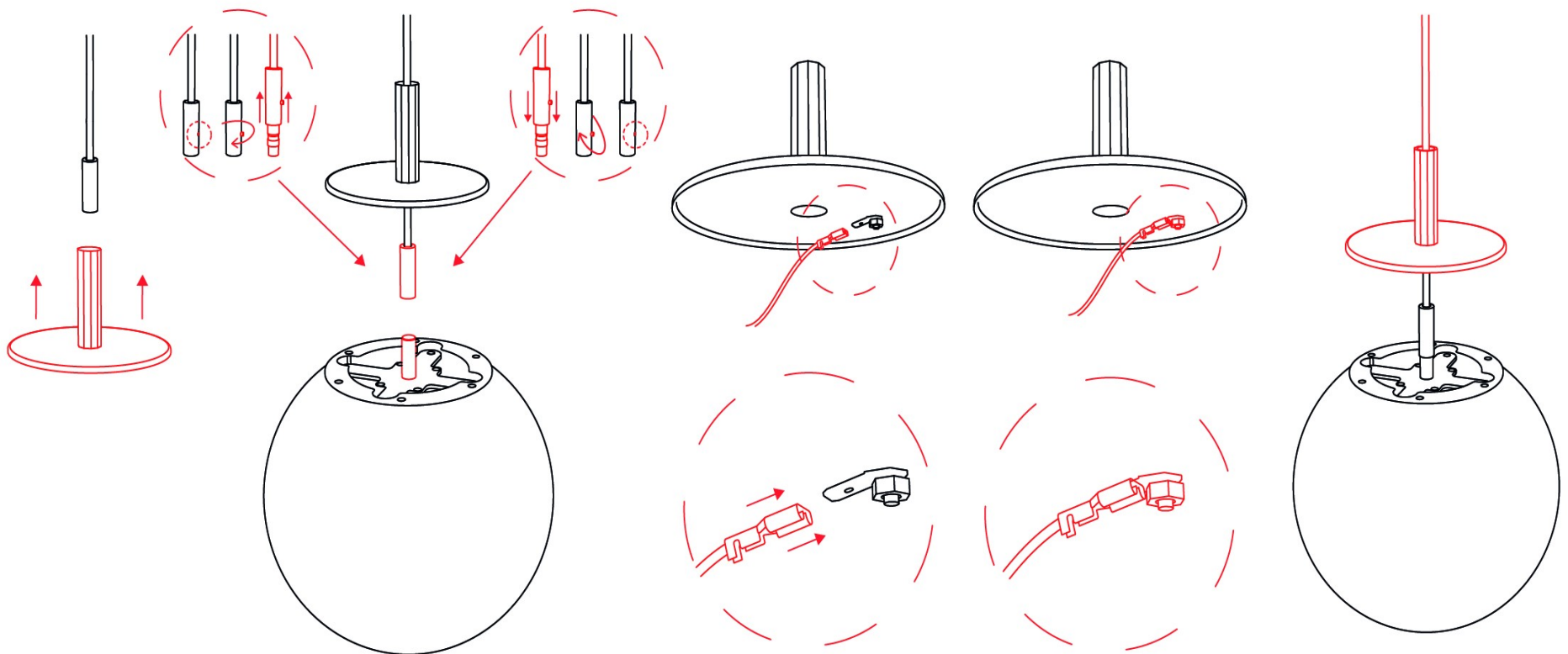
Install the light source. Insert the fixture with the source into the glass shade and fasten four screws (M6x3). Use a size 2 Allen key.





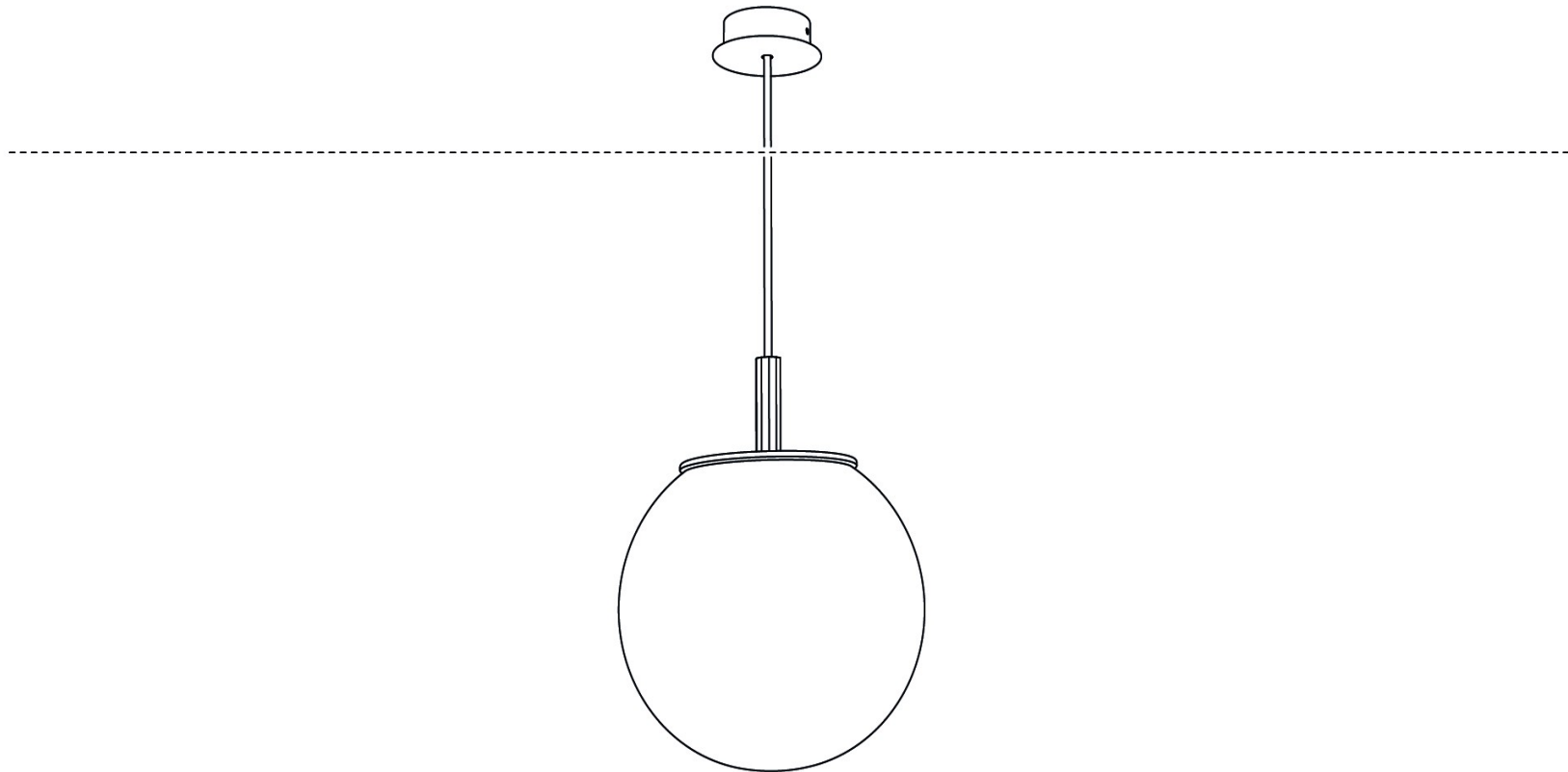
## 6. INSTALLING THE LIGHT

- Pass the power cable through the socket cover.
- Loosen the set screw on the power cable connector. Insert the power cable connector into the connector on the light and secure the sleeve by retightening the set screw.
- Connect the ground wire on the socket cover using the connector.



## 7. SWITCHING ON THE LIGHT

Restore power at the main circuit panel and verify that the light works properly.



# INSTALLATION MANUAL

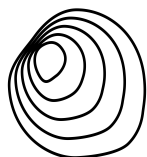
## SFERA PC1247

Pendent light



**The luminaire can be treated with common cleaning agents.  
Do not use solvents or abrasive cleaners (powders).**

**PRIOR TO SHIPPING, THE FUNCTIONALITY OF EACH LIGHT AND ITS COMPONENTS IS THOROUGHLY TESTED. THE MANUFACTURER ASSUMES NO LIABILITY FOR THE MISHANDLING OF PRODUCTS.**



**BROKIS®**

BROKIS S.R.O.  
ŠPANIĚLOVA 1315/25  
163 00 PRAHA 6 - ŘEPY  
CZECH REPUBLIC

ORG. ID 64940799  
VAT ID CZ64940799  
C 42174 MĚSTSKÝ SOUD  
V PRAZE

TEL +420 567 211 517  
TECHNICAL@BROKIS.CZ  
INFO@BROKIS.CZ  
WWW.BROKIS.CZ

# INSTALLATION MANUAL

## SFERA PC1169

Pendent light



### COMPONENTS OF PACKAGING:

1 Sfera light, 1 ceiling canopy, 1 power cable, 1 light body cover, 3 terminal connectors, 1 hex key size 1.5, 1 hex key size 2, 1 hex key size 2.5, 2 set screws M5x16, 1 pair cotton gloves, installation manual (THE LIGHT SOURCE IS NOT INCLUDED IN THE PACKAGE)

### WARNING:

**Installation must be carried out by a qualified electrician only.**

**Switch off power at main circuit panel prior to installation!**

**The manufacturer assumes no liability for damage occurring during transport or resulting from incorrect installation.**

**Installation time: 30min. / 1 person**



BROKIS®

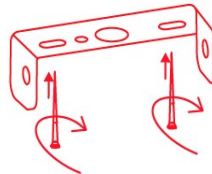
BROKIS S.R.O.  
ŠPANIĚLOVA 1315/25  
163 00 PRAHA 6 - ŘEPY  
CZECH REPUBLIC

ORG. ID 64940799  
VAT ID CZ64940799  
C 42174 MĚSTSKÝ SOUD  
V PRAZE

TEL +420 567 211 517  
TECHNICAL@BROKIS.CZ  
INFO@BROKIS.CZ  
WWW.BROKIS.CZ

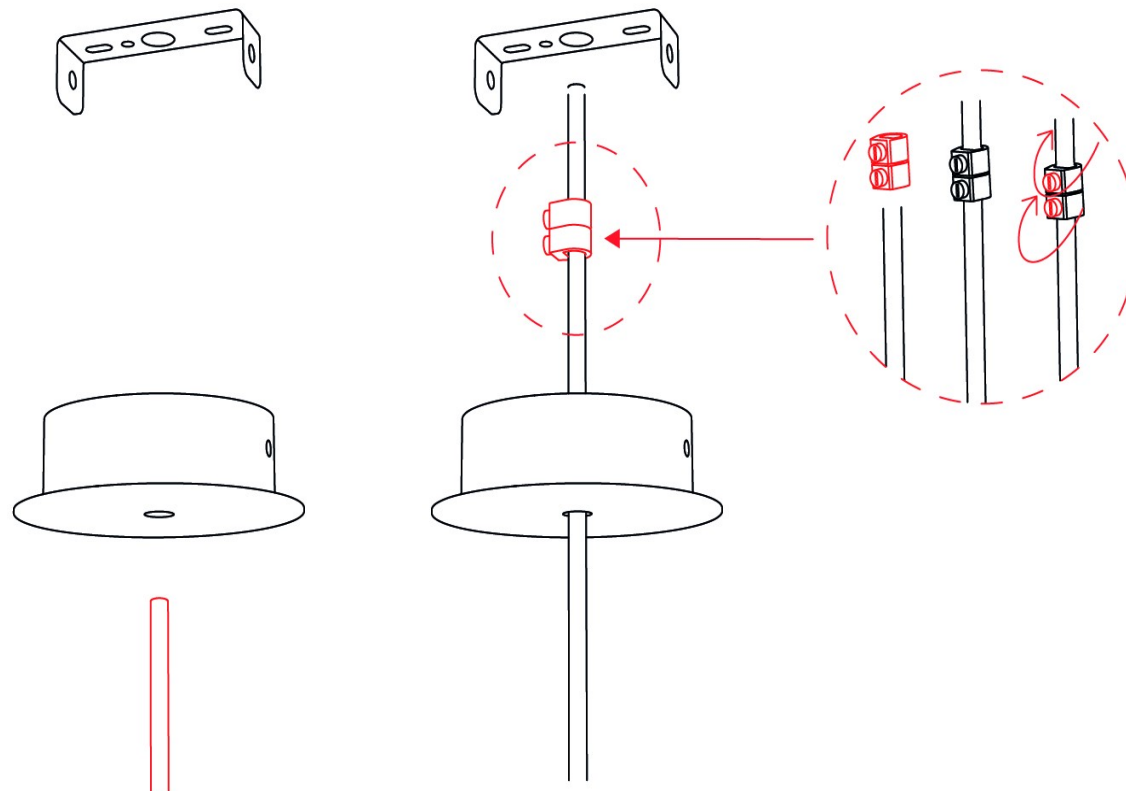
## 1. INSTALLING THE CEILING CANOPY BRACKET

Use anchors of sufficient strength (not included) and secure the canopy bracket to the ceiling. With regard to various types of ceilings, we recommend consulting installation with an expert. The manufacturer assumes no liability for incorrect installation, the use of improper anchors, or defects in the material to which the bracket is secured.



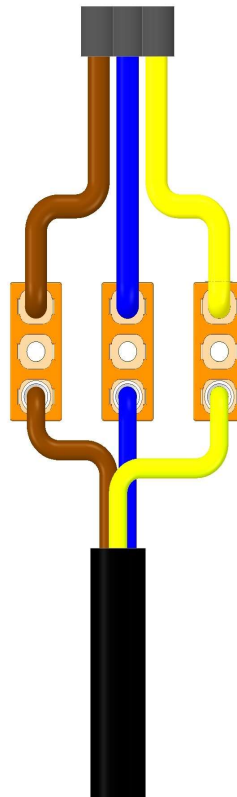
## 2. INSTALLING THE POWER CABLE

Pass the power cable through the grommet in the ceiling canopy, adjust the length as needed, and secure with two plastic cable stops.



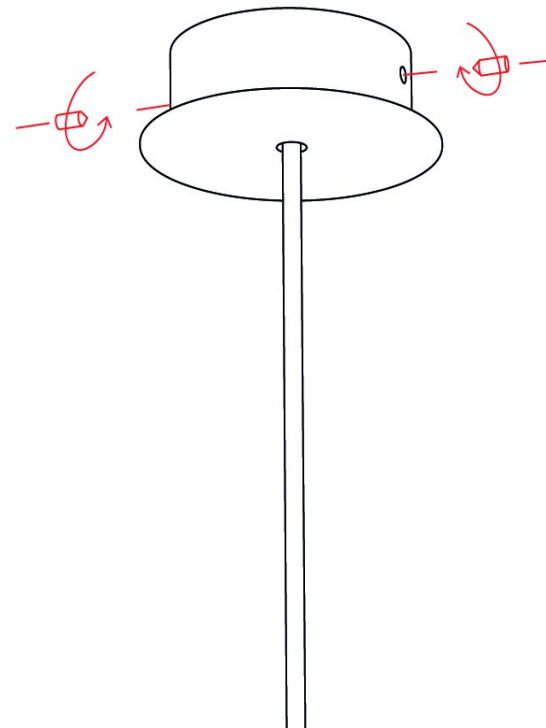
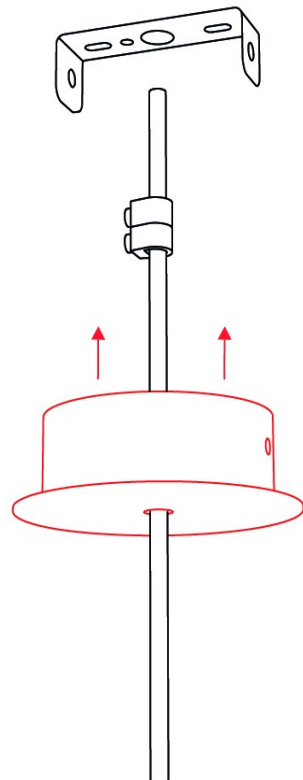
### 3. CONNECTING THE LIGHT TO THE BUILDING WIRING

Connect the light to the building wiring according to the connection diagram.



#### 4. INSTALLING THE CEILING CANOPY

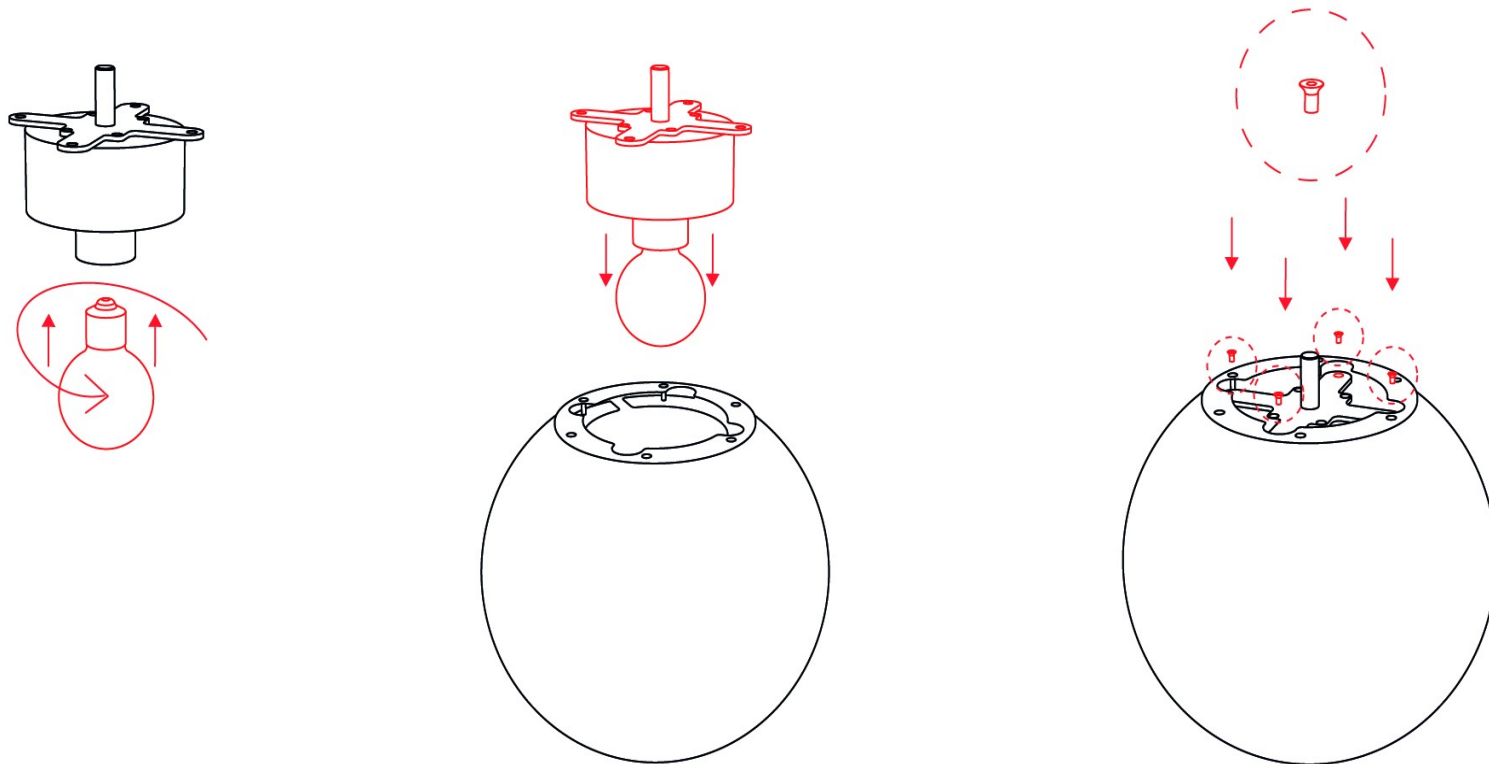
Use the two set screws and the hex key to attach the ceiling canopy to the bracket.





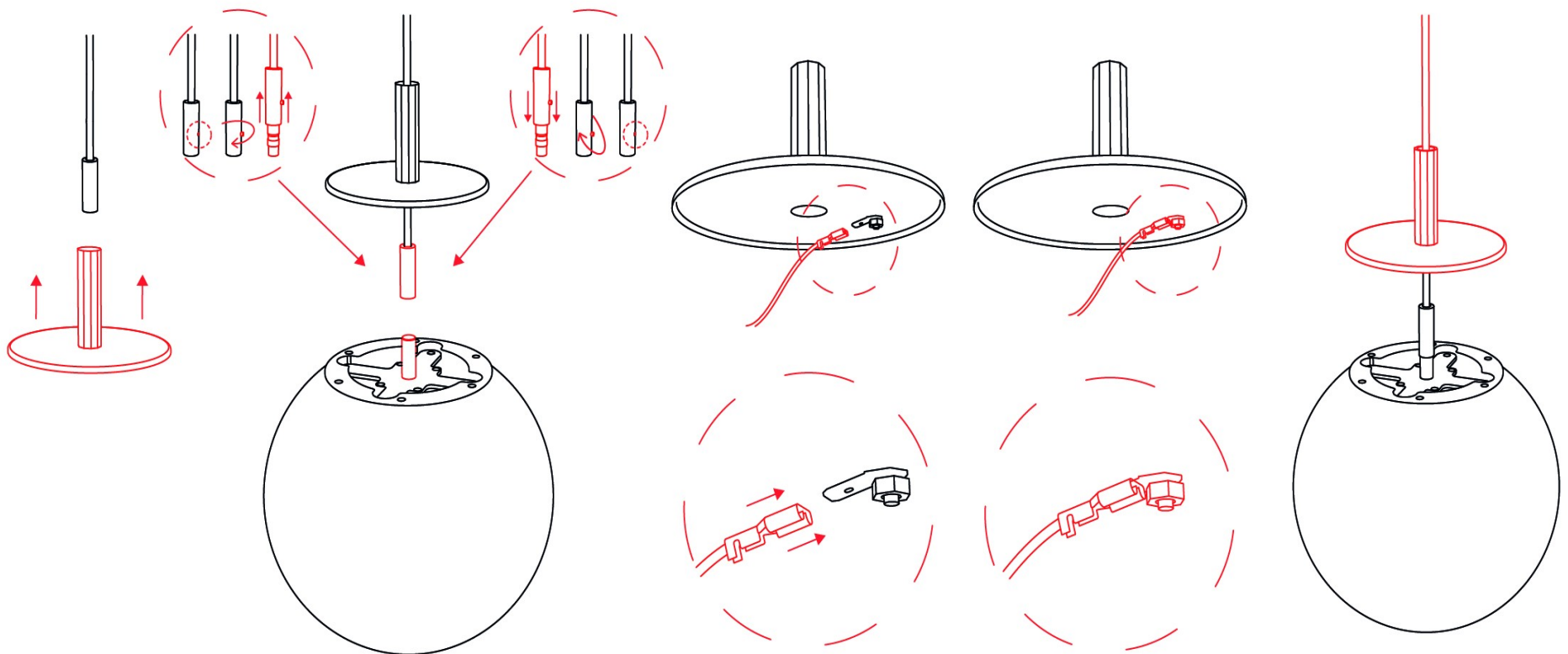
## 5. INSTALLING THE LIGHT SOURCE

Install the light source. Insert the fixture with the source into the glass shade and fasten four screws (M6x3). Use a size 2 Allen key.



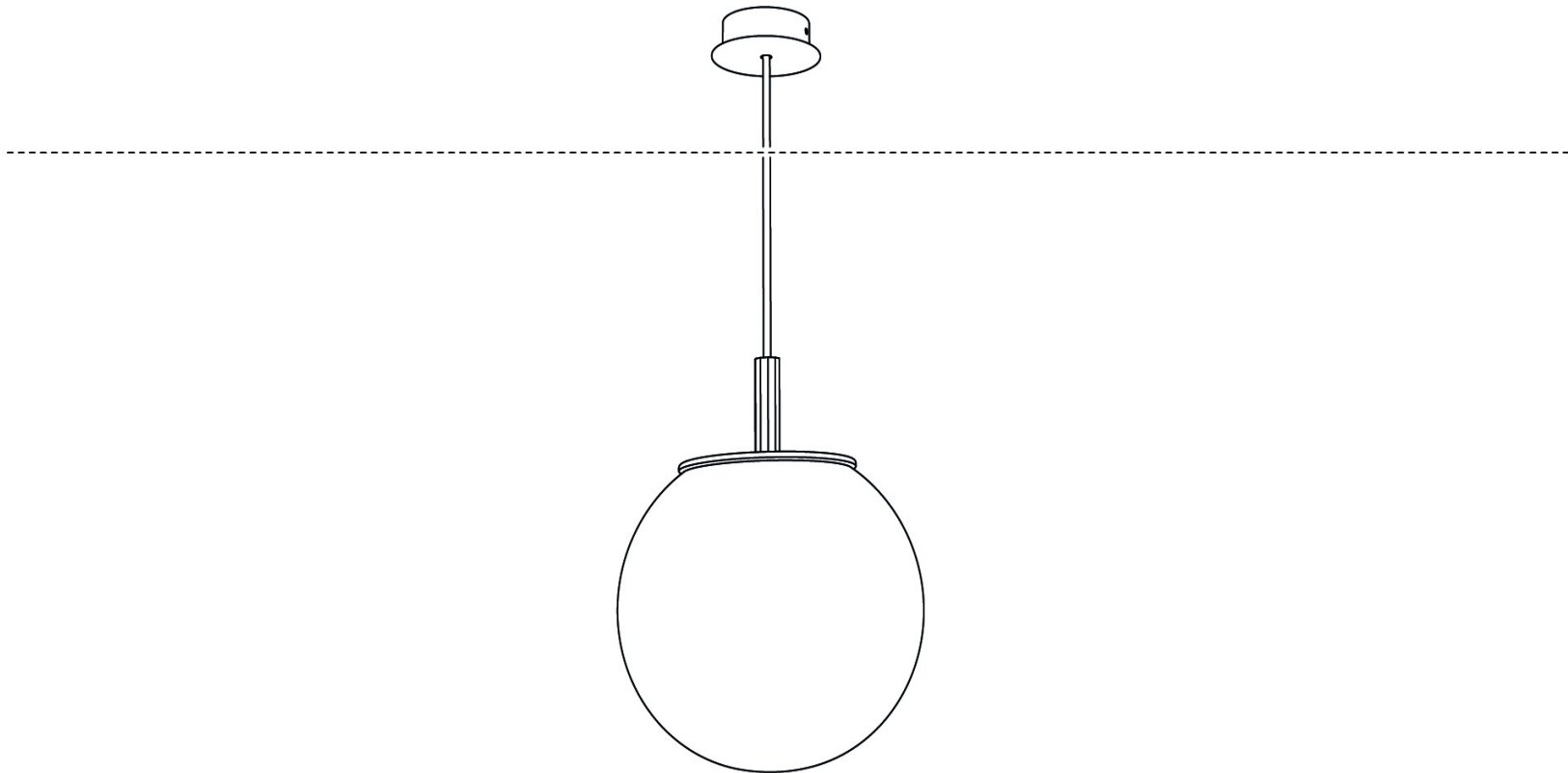
## 6. INSTALLING THE LIGHT

- Pass the power cable through the socket cover.
- Loosen the set screw on the power cable connector. Insert the power cable connector into the connector on the light and secure the sleeve by retightening the set screw.
- Connect the ground wire on the socket cover using the connector.



## 7. SWITCHING ON THE LIGHT

Restore power at the main circuit panel and verify that the light works properly.



# INSTALLATION MANUAL

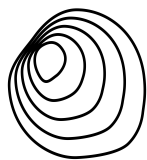
## SFERA PC1169

Pendent light



**The luminaire can be treated with common cleaning agents.  
Do not use solvents or abrasive cleaners (powders).**

**PRIOR TO SHIPPING, THE FUNCTIONALITY OF EACH LIGHT AND ITS COMPONENTS IS THOROUGHLY TESTED. THE MANUFACTURER ASSUMES NO LIABILITY FOR THE MISHANDLING OF PRODUCTS.**



**BROKIS®**

BROKIS S.R.O.  
ŠPANIĚLOVA 1315/25  
163 00 PRAHA 6 - ŘEPY  
CZECH REPUBLIC

ORG. ID 64940799  
VAT ID CZ64940799  
C 42174 MĚSTSKÝ SOUD  
V PRAZE

TEL +420 567 211 517  
TECHNICAL@BROKIS.CZ  
INFO@BROKIS.CZ  
WWW.BROKIS.CZ

# INSTALLATION MANUAL

## SFERA PC1170

Pendent light



### COMPONENTS OF PACKAGING:

1 Sfera light, 1 ceiling canopy, 1 power cable, 1 light body cover, 3 terminal connectors, 1 hex key size 1.5, 1 hex key size 2, 1 hex key size 2.5, 2 set screws M5x16, 1 pair cotton gloves, installation manual (THE LIGHT SOURCE IS NOT INCLUDED IN THE PACKAGE)

### WARNING:

**Installation must be carried out by a qualified electrician only.**

**Switch off power at main circuit panel prior to installation!**

**The manufacturer assumes no liability for damage occurring during transport or resulting from incorrect installation.**

**Installation time: 30min. / 1 person**



BROKIS®

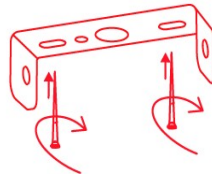
BROKIS S.R.O.  
ŠPANIĚLOVA 1315/25  
163 00 PRAHA 6 - ŘEPY  
CZECH REPUBLIC

ORG. ID 64940799  
VAT ID CZ64940799  
C 42174 MĚSTSKÝ SOUD  
V PRAZE

TEL +420 567 211 517  
TECHNICAL@BROKIS.CZ  
INFO@BROKIS.CZ  
WWW.BROKIS.CZ

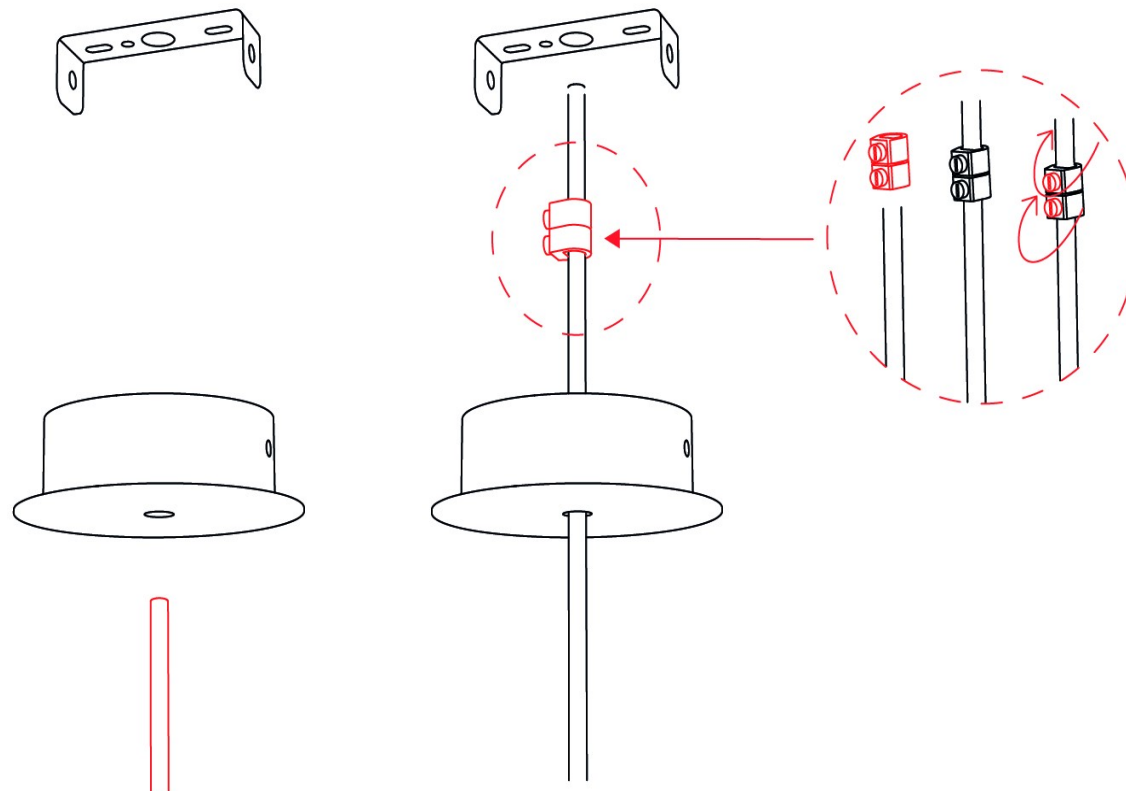
## 1. INSTALLING THE CEILING CANOPY BRACKET

Use anchors of sufficient strength (not included) and secure the canopy bracket to the ceiling. With regard to various types of ceilings, we recommend consulting installation with an expert. The manufacturer assumes no liability for incorrect installation, the use of improper anchors, or defects in the material to which the bracket is secured.



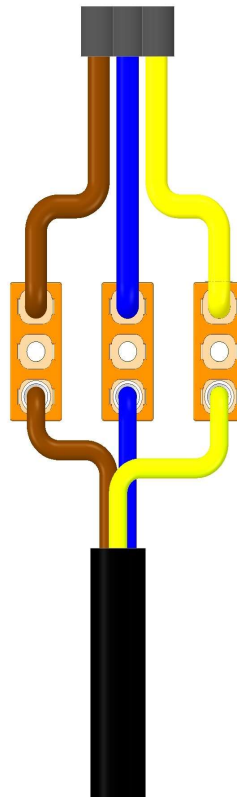
## 2. INSTALLING THE POWER CABLE

Pass the power cable through the grommet in the ceiling canopy, adjust the length as needed, and secure with two plastic cable stops.



### 3. CONNECTING THE LIGHT TO THE BUILDING WIRING

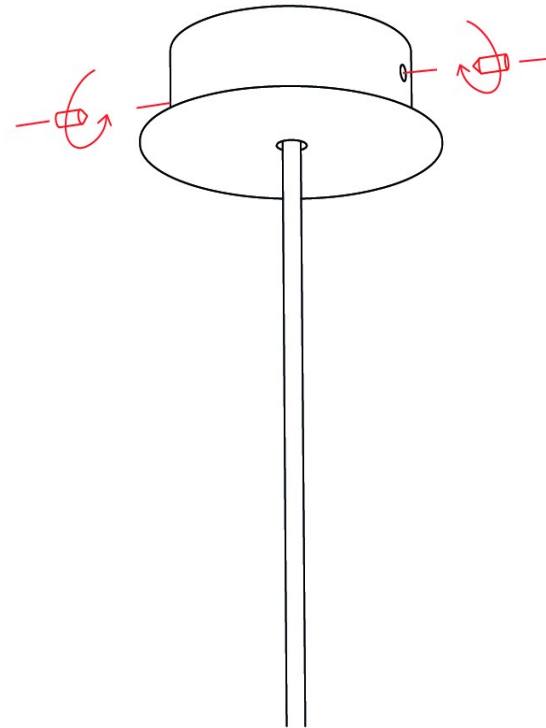
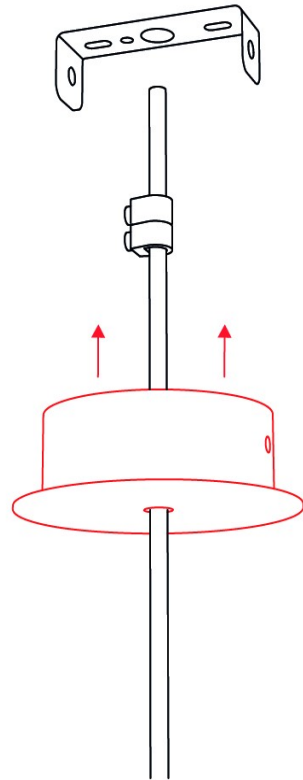
Connect the light to the building wiring according to the connection diagram.





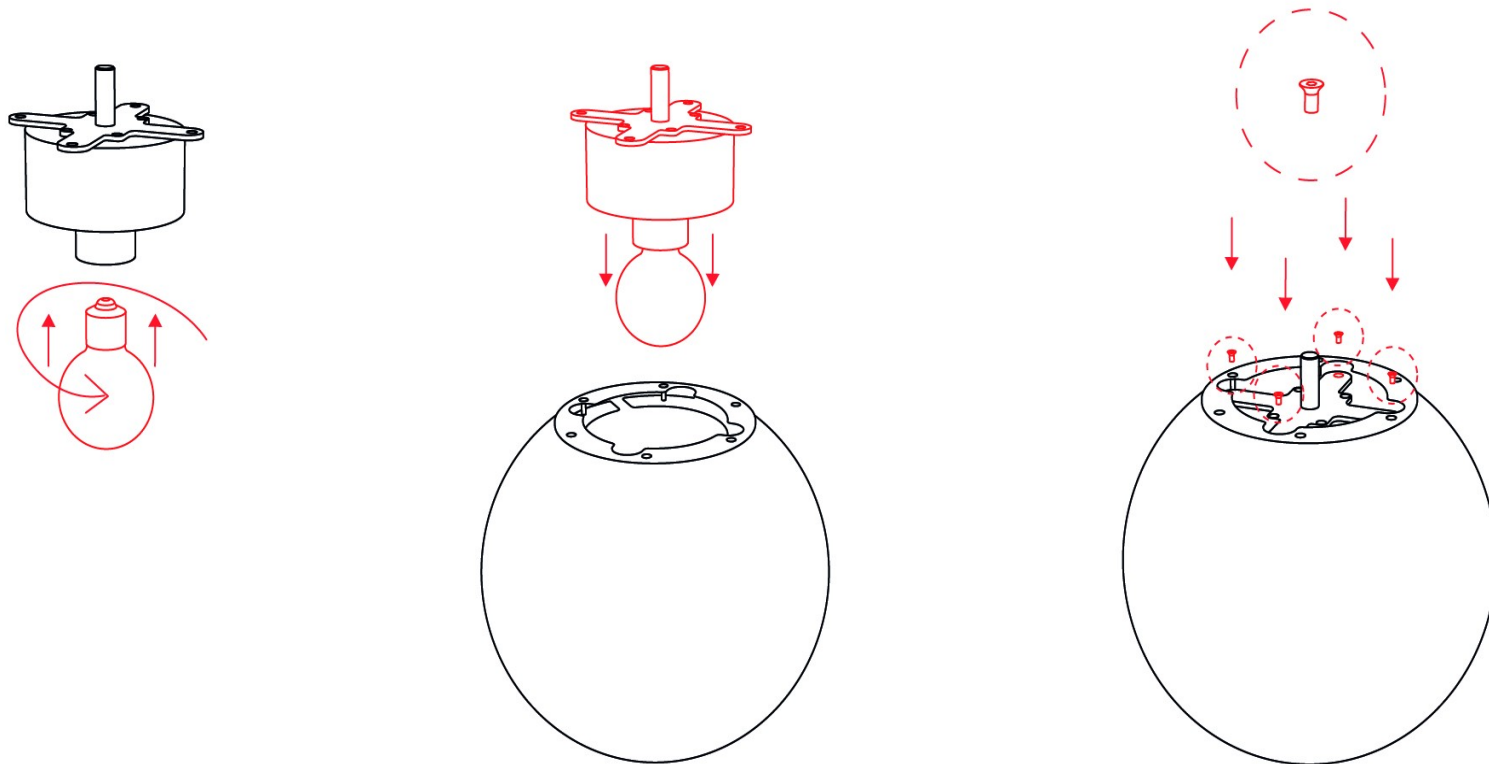
#### 4. INSTALLING THE CEILING CANOPY

Use the two set screws and the hex key to attach the ceiling canopy to the bracket.



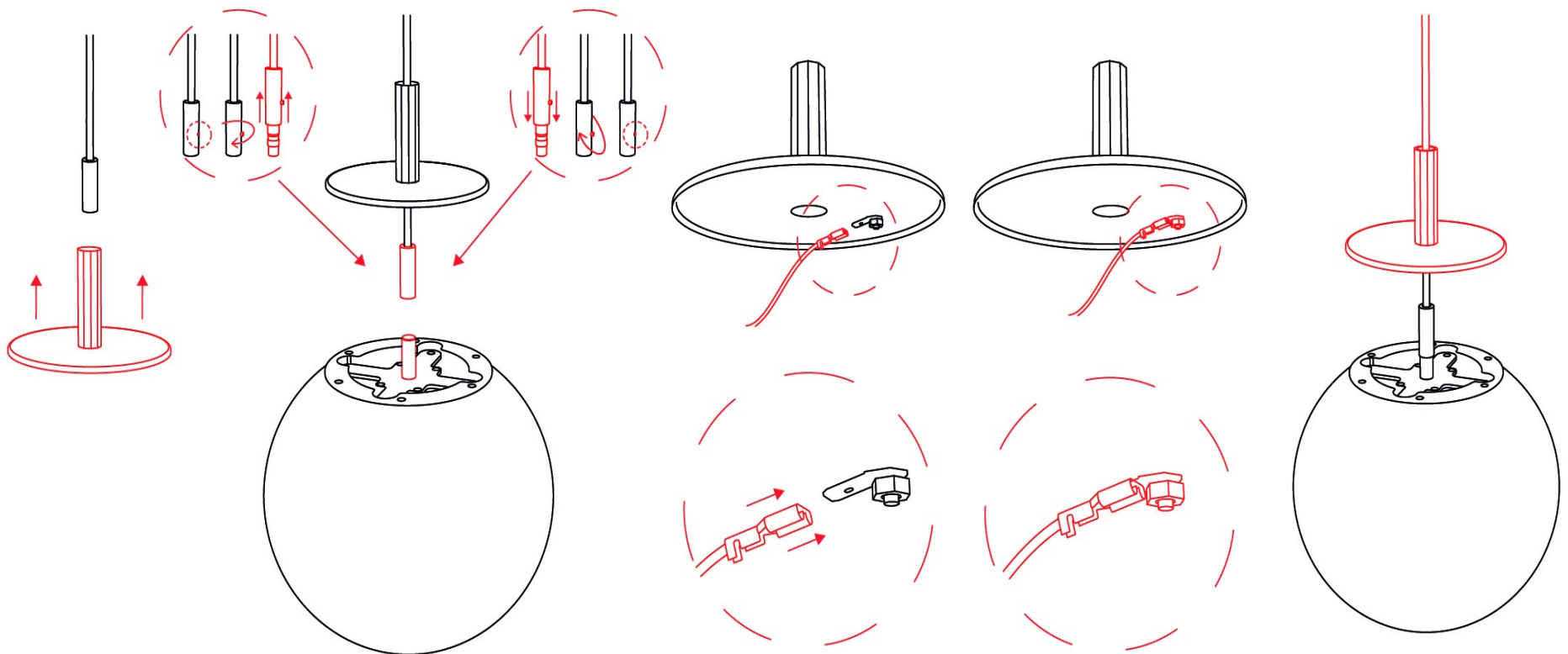
## 5. INSTALLING THE LIGHT SOURCE

Install the light source. Insert the fixture with the source into the glass shade and fasten four screws (M6x3). Use a size 2 Allen key.



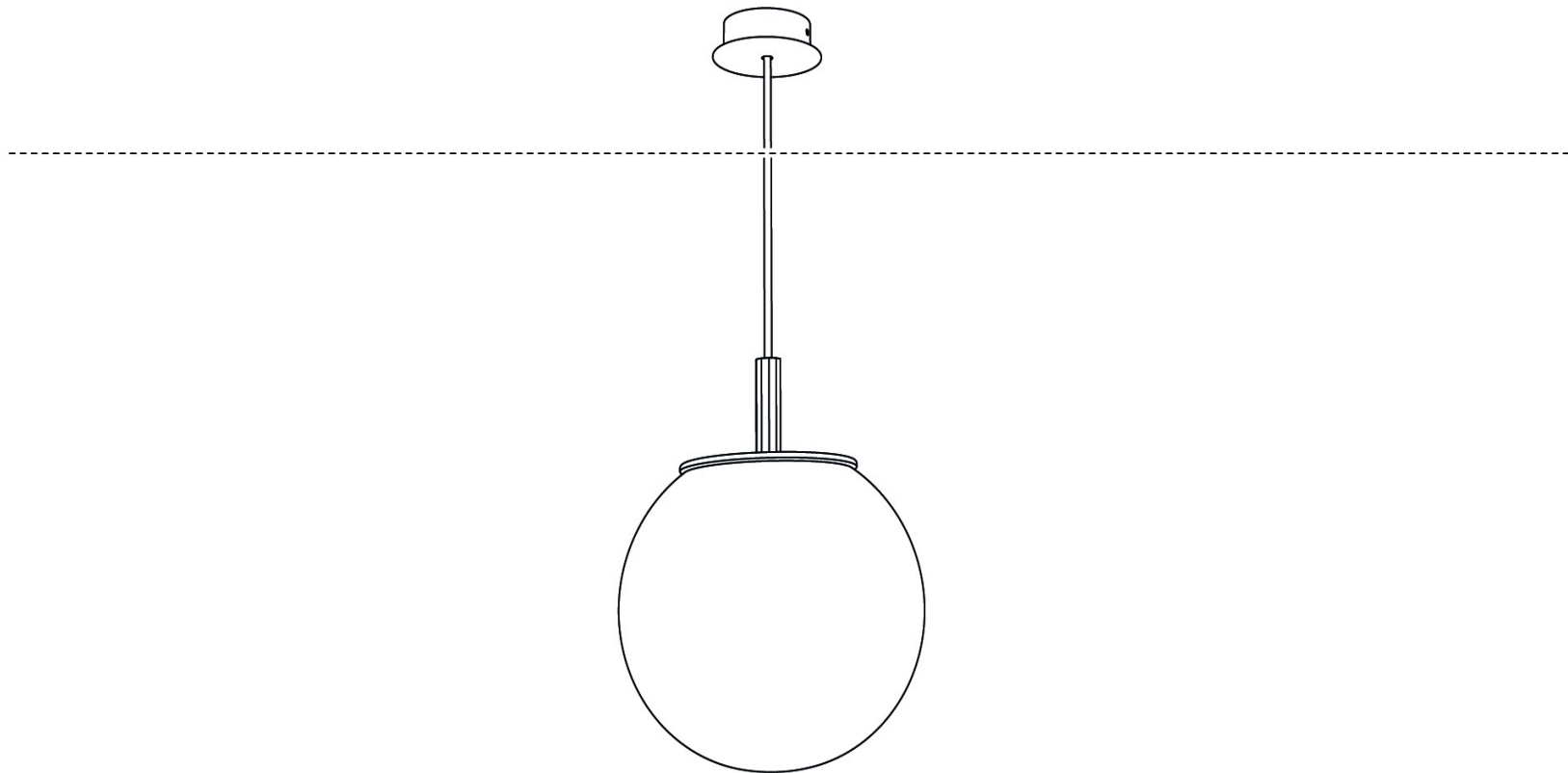
## 6. INSTALLING THE LIGHT

- Pass the power cable through the socket cover.
- Loosen the set screw on the power cable connector. Insert the power cable connector into the connector on the light and secure the sleeve by retightening the set screw.
- Connect the ground wire on the socket cover using the connector.



## 7. SWITCHING ON THE LIGHT

Restore power at the main circuit panel and verify that the light works properly.



# INSTALLATION MANUAL

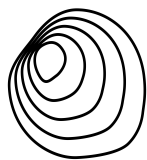
## SFERA PC1170

Pendent light



**The luminaire can be treated with common cleaning agents.  
Do not use solvents or abrasive cleaners (powders).**

**PRIOR TO SHIPPING, THE FUNCTIONALITY OF EACH LIGHT AND ITS COMPONENTS IS THOROUGHLY TESTED. THE MANUFACTURER ASSUMES NO LIABILITY FOR THE MISHANDLING OF PRODUCTS.**



**BROKIS®**

BROKIS S.R.O.  
ŠPANIELOVA 1315/25  
163 00 PRAHA 6 - ŘEPY  
CZECH REPUBLIC

ORG. ID 64940799  
VAT ID CZ64940799  
C 42174 MĚSTSKÝ SOUD  
V PRAZE

TEL +420 567 211 517  
TECHNICAL@BROKIS.CZ  
INFO@BROKIS.CZ  
WWW.BROKIS.CZ



### COMPONENTS OF PACKAGING:

1 Sfera light, 1 ceiling canopy, 1 power cable, 1 light body cover, 3 terminal connectors, 1 hex key size 1.5, 1 hex key size 2, 1 hex key size 2.5, 2 set screws M5x16, 1 pair cotton gloves, installation manual (THE LIGHT SOURCE IS NOT INCLUDED IN THE PACKAGE)

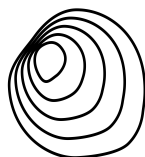
### WARNING:

**Installation must be carried out by a qualified electrician only.**

**Switch off power at main circuit panel prior to installation!**

**The manufacturer assumes no liability for damage occurring during transport or resulting from incorrect installation.**

**Installation time: 30min. / 1 person**



BROKIS®

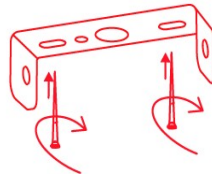
BROKIS S.R.O.  
ŠPANIĚLOVA 1315/25  
163 00 PRAHA 6 - ŘEPY  
CZECH REPUBLIC

ORG. ID 64940799  
VAT ID CZ64940799  
C 42174 MĚSTSKÝ SOUD  
V PRAZE

TEL +420 567 211 517  
TECHNICAL@BROKIS.CZ  
INFO@BROKIS.CZ  
WWW.BROKIS.CZ

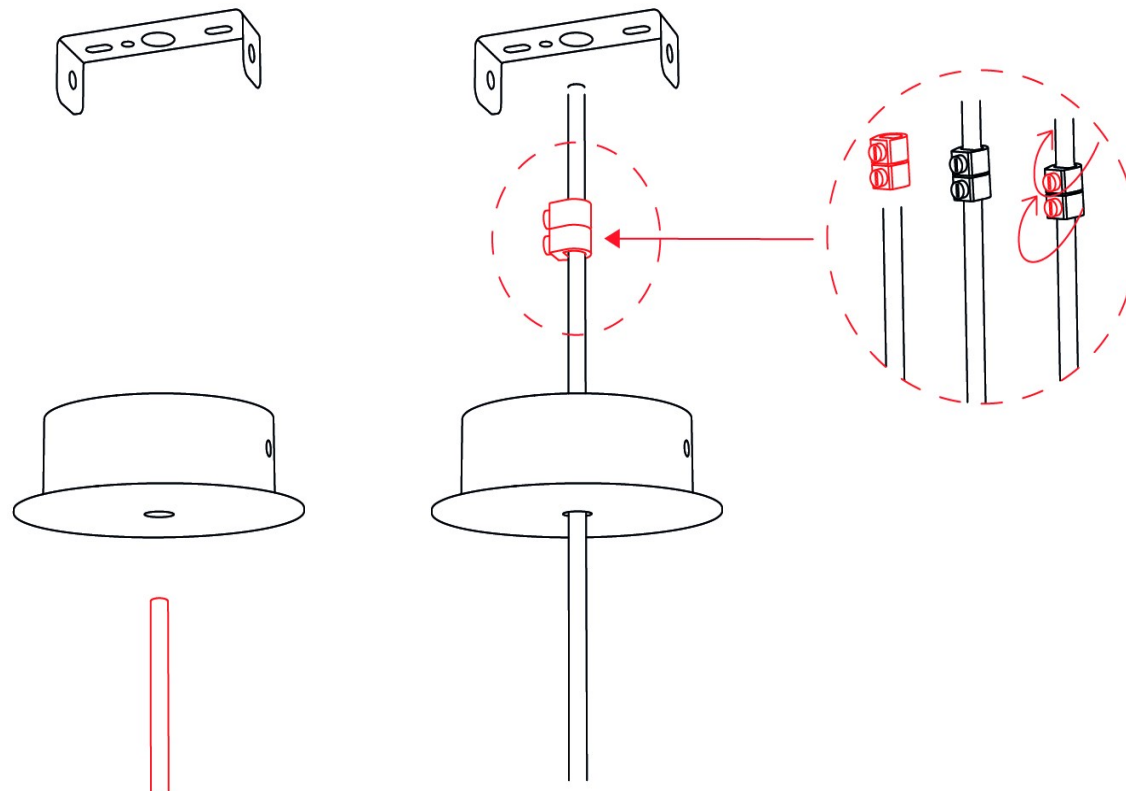
## 1. INSTALLING THE CEILING CANOPY BRACKET

Use anchors of sufficient strength (not included) and secure the canopy bracket to the ceiling. With regard to various types of ceilings, we recommend consulting installation with an expert. The manufacturer assumes no liability for incorrect installation, the use of improper anchors, or defects in the material to which the bracket is secured.



## 2. INSTALLING THE POWER CABLE

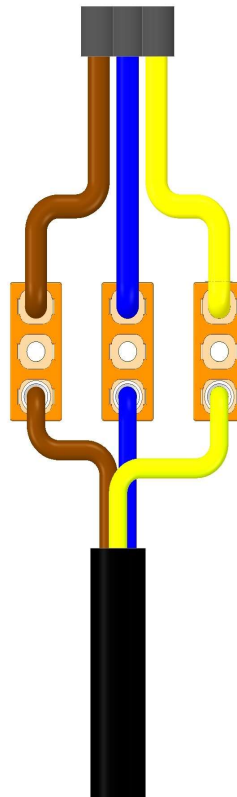
Pass the power cable through the grommet in the ceiling canopy, adjust the length as needed, and secure with two plastic cable stops.





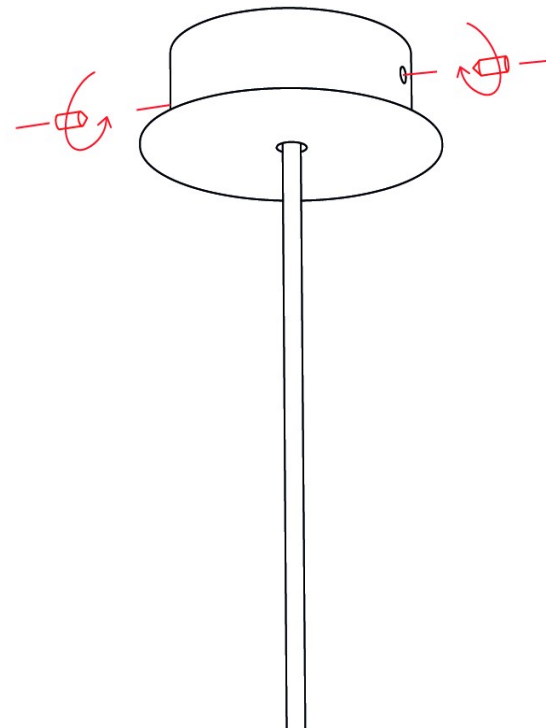
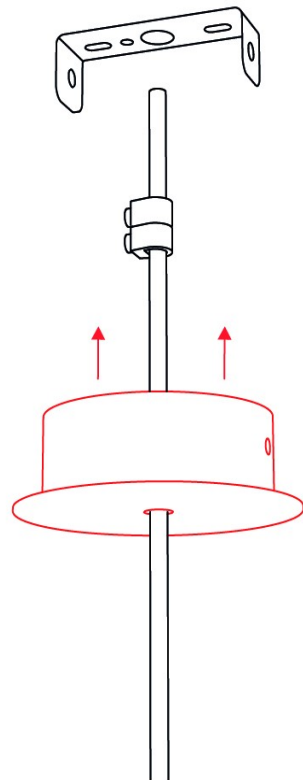
### 3. CONNECTING THE LIGHT TO THE BUILDING WIRING

Connect the light to the building wiring according to the connection diagram.



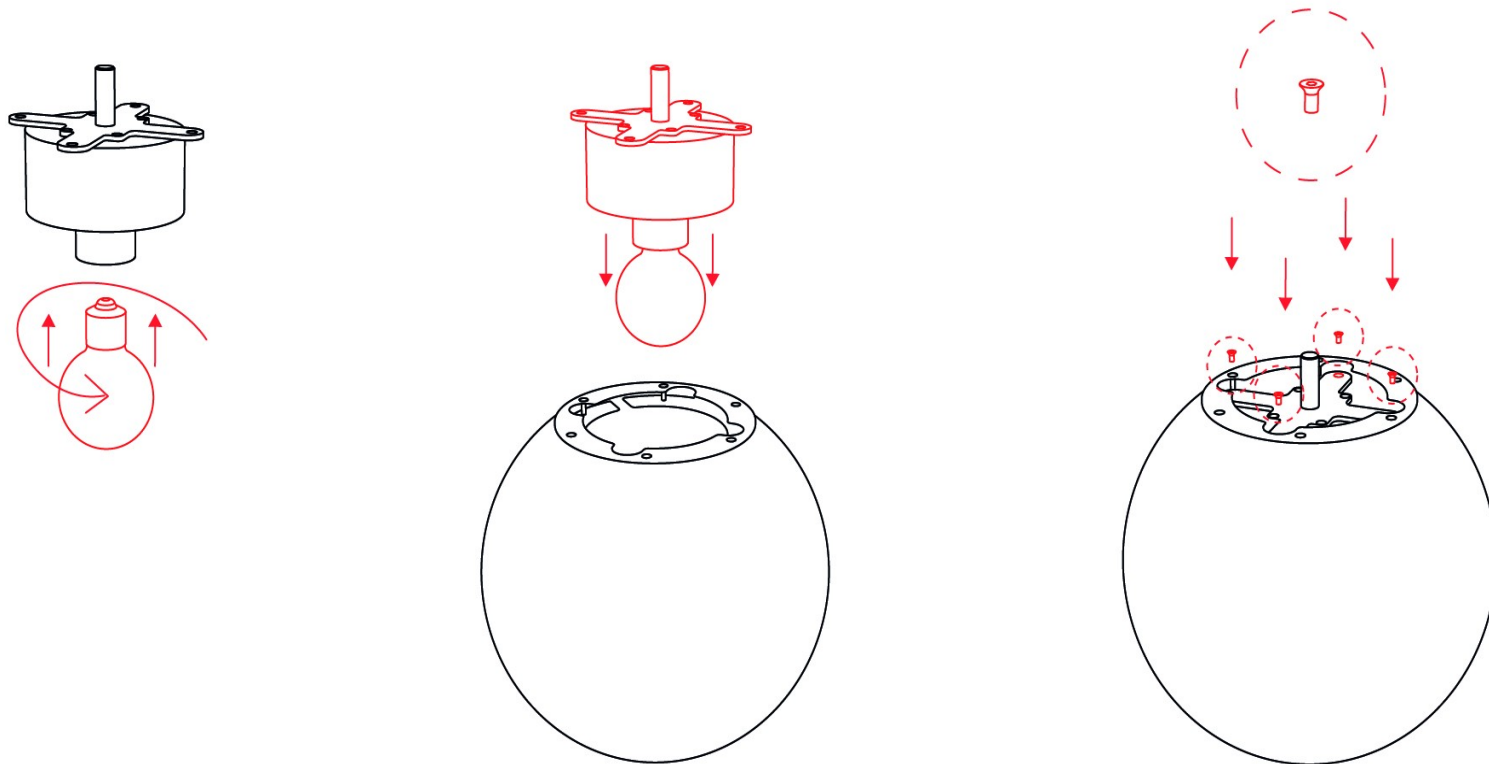
#### 4. INSTALLING THE CEILING CANOPY

Use the two set screws and the hex key to attach the ceiling canopy to the bracket.



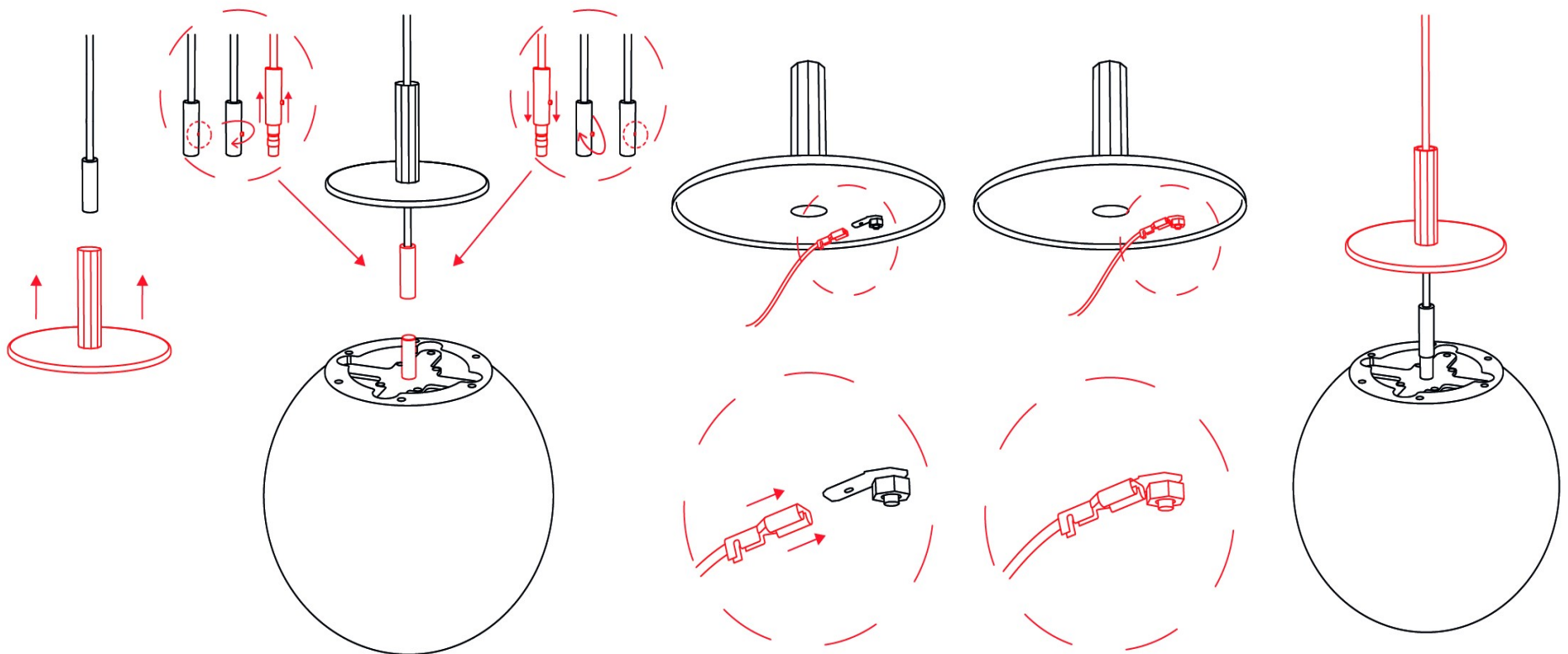
## 5. INSTALLING THE LIGHT SOURCE

Install the light source. Insert the fixture with the source into the glass shade and fasten four screws (M6x3). Use a size 2 Allen key.



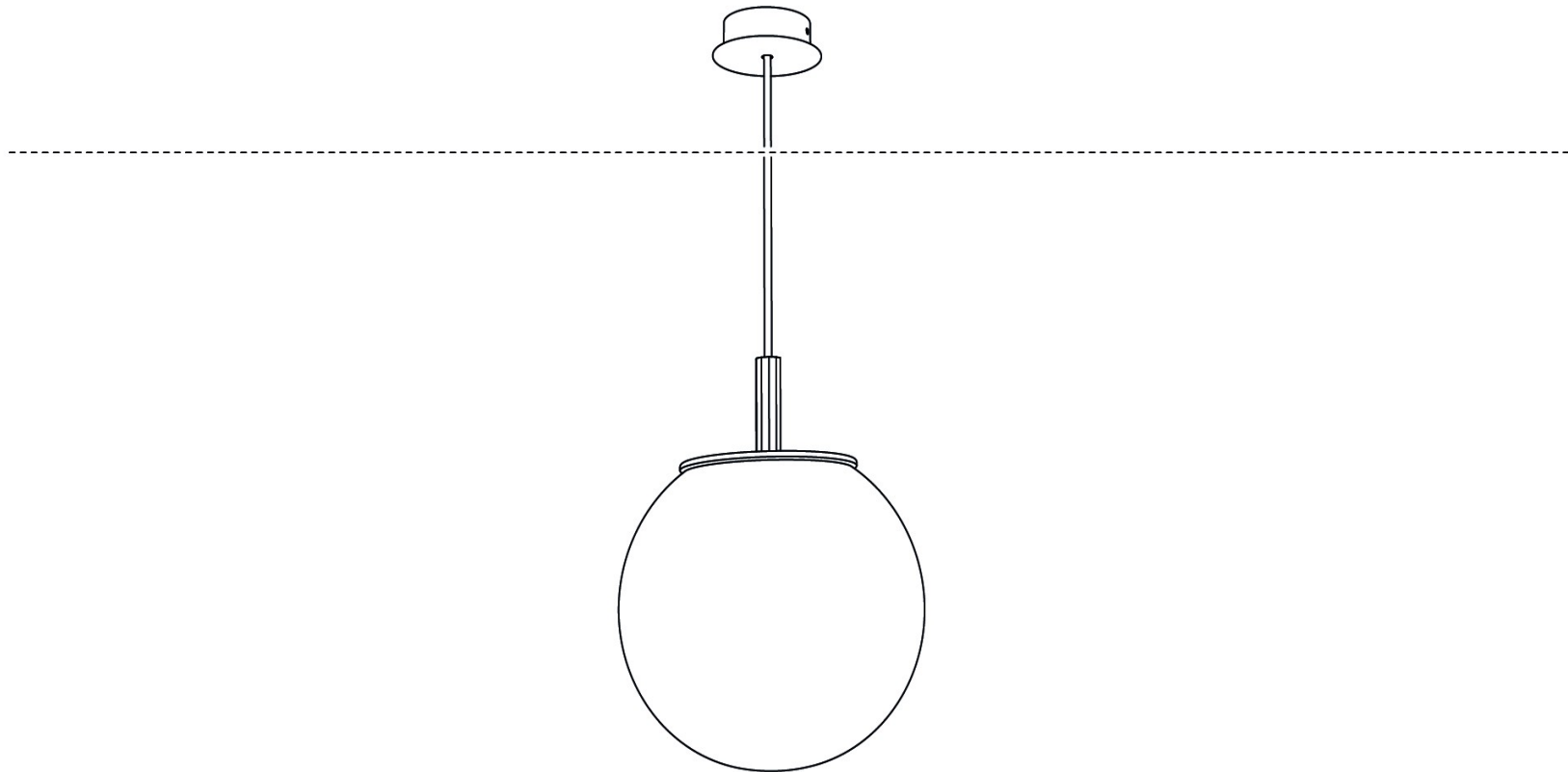
## 6. INSTALLING THE LIGHT

- Pass the power cable through the socket cover.
- Loosen the set screw on the power cable connector. Insert the power cable connector into the connector on the light and secure the sleeve by retightening the set screw.
- Connect the ground wire on the socket cover using the connector.



## 7. SWITCHING ON THE LIGHT

Restore power at the main circuit panel and verify that the light works properly.



# INSTALLATION MANUAL

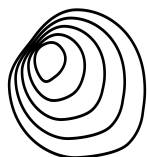
## SFERA PC1171

Pendent light



**The luminaire can be treated with common cleaning agents.  
Do not use solvents or abrasive cleaners (powders).**

**PRIOR TO SHIPPING, THE FUNCTIONALITY OF EACH LIGHT AND ITS COMPONENTS IS THOROUGHLY TESTED. THE MANUFACTURER ASSUMES NO LIABILITY FOR THE MISHANDLING OF PRODUCTS.**



**BROKIS®**

BROKIS S.R.O.  
ŠPANIĚLOVA 1315/25  
163 00 PRAHA 6 - ŘEPY  
CZECH REPUBLIC

ORG. ID 64940799  
VAT ID CZ64940799  
C 42174 MĚSTSKÝ SOUD  
V PRAZE

TEL +420 567 211 517  
TECHNICAL@BROKIS.CZ  
INFO@BROKIS.CZ  
WWW.BROKIS.CZ