

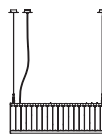
## Línea Estadio

Miguel Milá. 2014  
Pendant lamps

  
SANTA & COLE

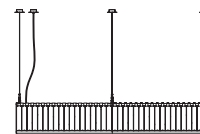


Línea Estadio 1 module



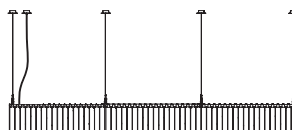
A

Línea Estadio 2 modules



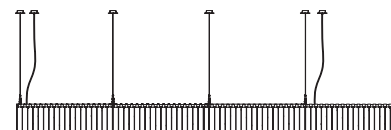
B

Línea Estadio 3 modules



C

Línea Estadio 4 modules



D



Miguel Milá designed the powerful ring of light for the 1992 Barcelona Olympic Games. The Estadio family is reminiscent of medieval chandeliers found in palaces and cathedrals.

The linear version, Línea Estadio, has modules can be connected together. Formed by an elegant crown of sparkling glass, Estadio has a strong presence. The glass blocks, which are held within a tubular metal structure, disperse the light by means of vertical rays and shadows.

The Estadio family features various suspension diameters and is completed with the Estadio lamp, the circular version and the convex Estadio wall lamp.

### General description:

Black metal structure with stainless steel structure hanging system and satin nickel canopy.

Glass block lampshade.

Junction Box adaptor included Ø 11,7 cm / 4.6".

This fixture must be mounted or supported independently of a Junction Box (UL market).

Electric cable length: 4 m / 157.5

### Approximate weight (unpacked):

(A) 1 module: 52 Kg / 115 lb

(B) 2 modules: 104 Kg / 229 lb

(C) 3 modules: 156 Kg / 344 lb

(D) 4 modules: 208 Kg / 459 lb

Before installing, consider the weight of the luminaire.

### Technical information:

Recommended light source (not included):

LED bulb (5 x module): 12 W / 1.521 lm / 2700K / A++ (subject to updates in LED technology)

E27 - E26 / Max. hgt.155 mm / 6.1" / Max. power 75 W

Compatible with bulbs of the Energy efficiency class (E.E.C): A++... E.

Suitable only for indoor use.

Always use the light source recommended or equivalent.

Input voltage: 100, 120, 230 Vac.

(50 Hz / 60 Hz). According to destination.

## Línea Estadio

Miguel Milá. 2014

Pendant lamps



SANTA & COLE

### Regulations:

CE

UNE-EN 60598

UNE-EN 55015

UNE-EN 60529

UL

Dry location only

UL-1598

E-353545

### Maintenance:

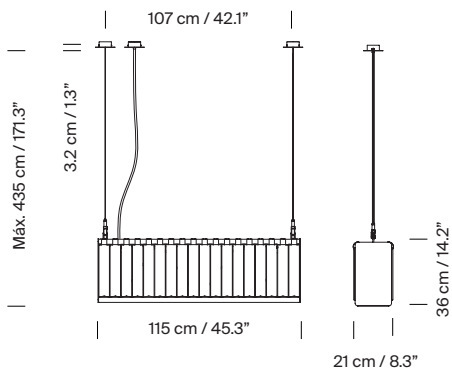
Clean with a smooth cloth. Do not use ammonia, solvents or abrasive cleaning products.

### Others:

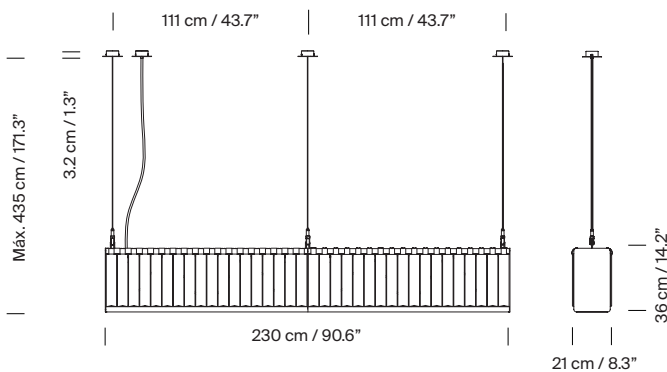
The lamp is delivered in different packets.

The assembly instructions are delivered with the product.

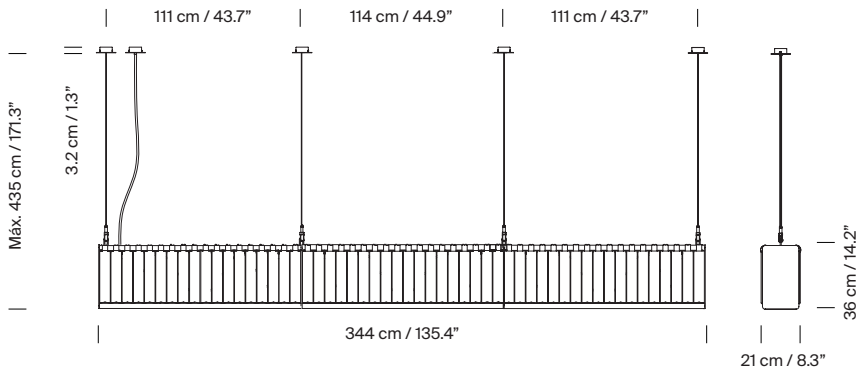
### Model A: Línea Estadio 1 module



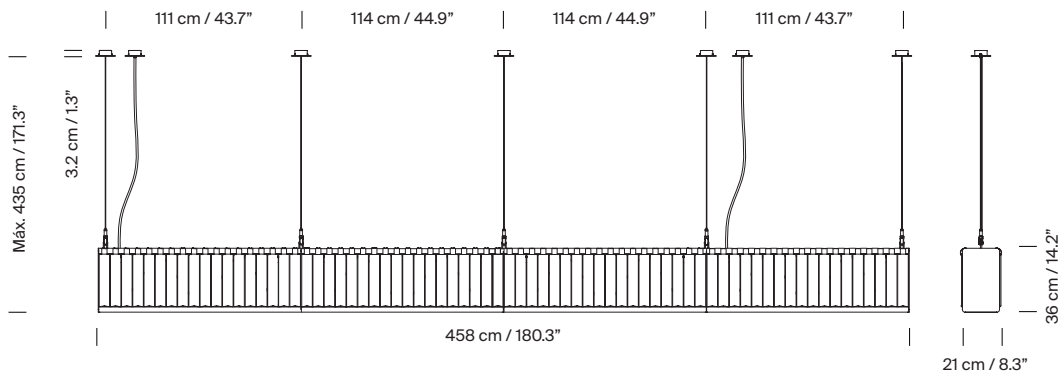
### Model B: Línea Estadio 2 modules



**Model C: Línea Estadio 3 modules**



**Model D: Línea Estadio 4 modules**



**Collection:**  
Wall lamps

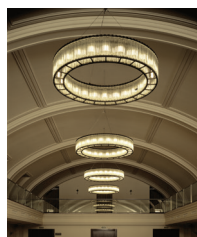


Estadio



Estadio Singular

Pendant lamps



Estadio



Línea Estadio