

## SASHA PENDANT

A showstopper which has the same 'quiet luxury' characterised by CTO designs. Developed exclusively by our artisans where crystal like crushed glass is combined with refined metalwork.

### FINISH

satin brass with handmade glass  
SASPEOSBFG

dark bronze with handmade glass  
SASPEOBZFG

### SUSPENSION

drop rod with ceiling box

please specify the required overall drop from the ceiling to the bottom of the fitting (see overleaf)

### BULBS

240v - 3 x E14, 60w max halogen (or 6.5w LED 2700k)

120v - 3 x E12, 60w max halogen (or 6.5w LED 2700k)  
(no bulbs supplied)

### WEIGHT

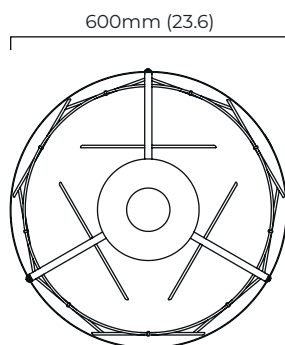
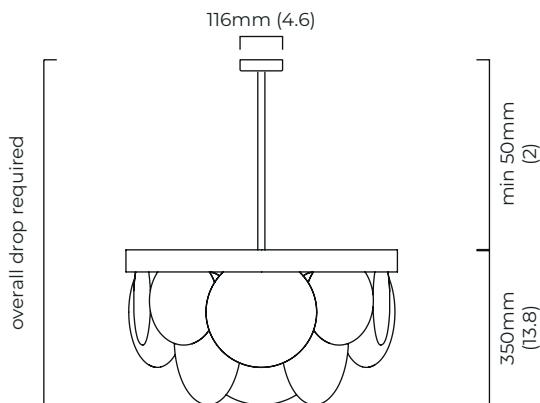
20kg (44.1lbs)

additional support around junction box required for installation

### CERTIFICATION

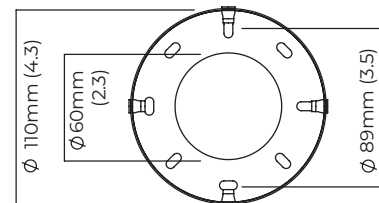


E492308



mounting plate dimensions

240V



120V

