

PANZERI

Dip

220-240V AC dimmable (Push DIM)

T08528.170.0527

 textured soft white



Data sheet

CODE	T08528.170.0527
SYSTEM POWER CONSUMPTION	18W
EFFICACY	107.28lm/W
LIGHT SOURCE	LED
COLOUR TEMPERATURE	2700K Ra>90
LIGHT DISTRIBUTION	diffused
POWER SUPPLY	220-240V AC
FREQUENCY	50/60Hz
ELECTRICAL CONFIGURATION	dimmable (Push DIM)
DRIVER	integrated included
NOMINAL LUMINOUS FLUX	3013lm
LUMEN OUTPUT	1931lm
EFFICIENCY	64.1%
WEIGHT	17,00 Kg
PROTECTION DEGREE	IP40
COLOUR TOLLERANCES	SDCM 3
PACKING DIMENSIONS	0,0 x 0,0 x 0,0 cm



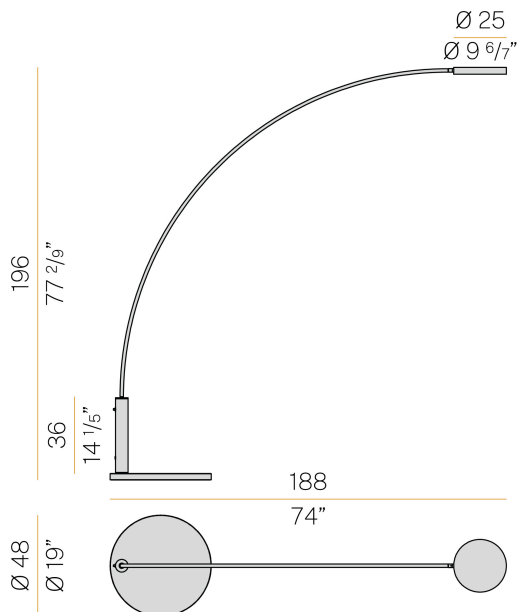
Floor lighting fixture for interiors, with direct or indirect light emission. Bearing base in travertine.

Calendered steel tube stem, with polyacrylic paint.

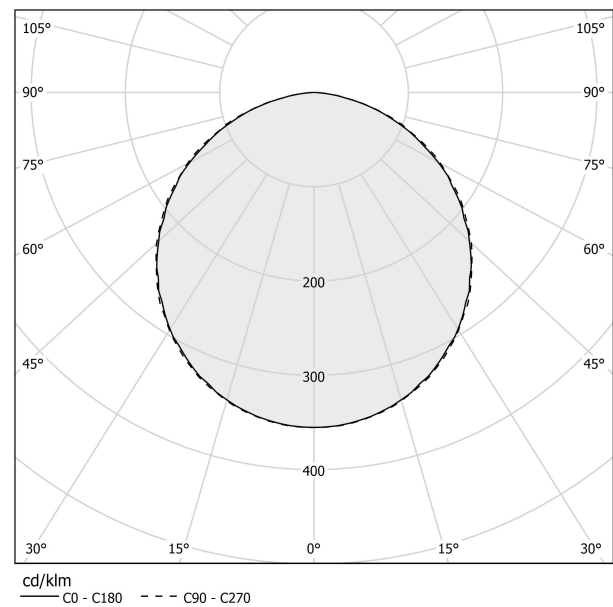
Die-cast aluminum emitting head with polyacrylic paint in champagne, mat black and bronze finishes.

UV technology screen-printed diffuser, made of opal polycarbonate, installed with magnetic coupling.

Technical drawing



Polar diagram

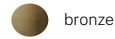


PANZERI

Dip

220-240V AC dimmable (Push DIM)

T08617.170.0527



bronze



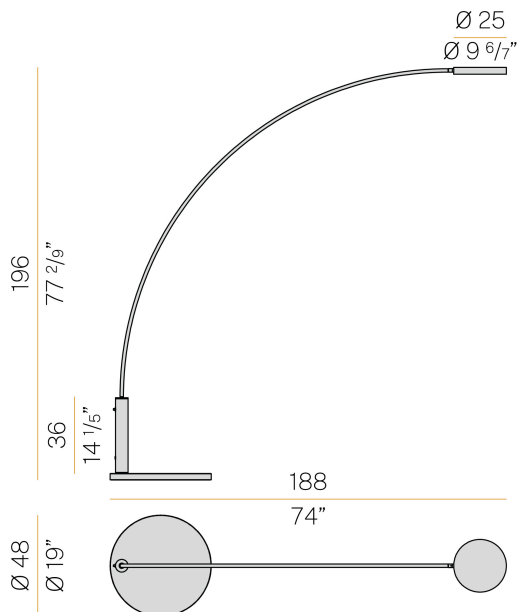
Data sheet

CODE	T08617.170.0527
SYSTEM POWER CONSUMPTION	18W
EFFICACY	107.28lm/W
LIGHT SOURCE	LED
COLOUR TEMPERATURE	2700K Ra>90
LIGHT DISTRIBUTION	diffused
POWER SUPPLY	220-240V AC
FREQUENCY	50/60Hz
ELECTRICAL CONFIGURATION	dimmable (Push DIM)
DRIVER	integrated included
NOMINAL LUMINOUS FLUX	3013lm
LUMEN OUTPUT	1931lm
EFFICIENCY	64.1%
WEIGHT	17,00 Kg
PROTECTION DEGREE	IP40
COLOUR TOLLERANCES	SDCM 3
PACKING DIMENSIONS	0,0 x 0,0 x 0,0 cm



Floor lighting fixture for interiors, with direct or indirect light emission. Bearing base in white marquina black marble. Calendered steel tube stem, with polyacrylic paint. Die-cast aluminum emitting head with polyacrylic paint in champagne, mat black and bronze finishes. UV technology screen-printed diffuser, made of opal polycarbonate, installed with magnetic coupling.

Technical drawing



Polar diagram

