

DATASHEET

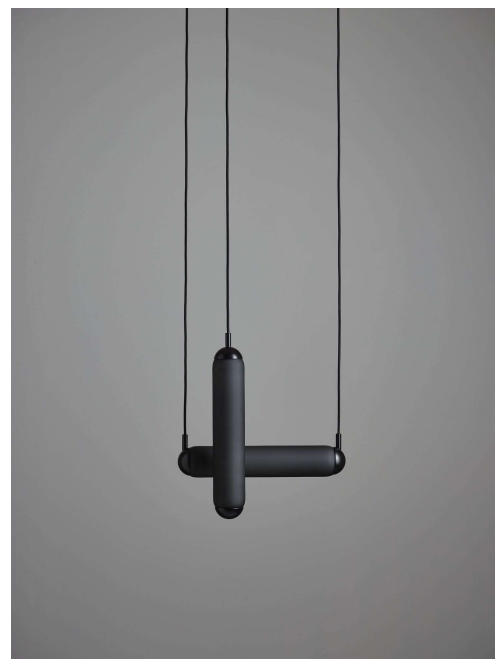
Type: **PURO SOLO**
Name: Pendant light
ID: PC1155
Designed by: Lucie Koldová



Download

Description

Puro is a boldly minimalistic variation on the atmospheric pendant light. Inspiration for the collection and its name comes from the Spanish word for cigar 'puro', which also alludes to the clean lines of the composition.



Tech. description

The light comprises a glass tube, LED source, and dural end caps for a compact visage. The assembly is attached to the ceiling canopy by means of the power cord fitted with a Brokis connector.

Colours options: https://brokis.sharepoint.com/:b:/s/brokis_sp/EQjw7pSJGYNAml_-2VF6FsoBPPYkJQGYgrrwig6mSI7kLg

CONSTRUCTION SPECIFICATION

Weight: 2.8 kg
Construction material: glass, metal
Cord length [mm]: 2,000 mm
Mounting: Ceiling
Environment: Indoor

DIMENSIONS [mm]



ELECTRICAL SPECIFICATION

Input voltage [V]: 100 - 240 V
Frequency [Hz]: 50-60 Hz
Max. power [W]: 7 W LED
Coverage IP: 20
Socket: -
Light source: non-user replaceable LED module
Energy class: E

CERTIFICATIONS



BROKIS S.R.O.
ŠPANILOVA 1315/25
163 00 PRAHA 6 - ŘEPY
CZECH REPUBLIC

ORG ID 64940799
VAT ID CZ64940799
C 42174 MĚSTSKÝ SOUD
V PRAZE

TEL +420 567 211 517
TECHNICAL@BROKIS.CZ
INFO@BROKIS.CZ
WWW.BROKIS.CZ

2022_03
PAGE 1



CP14440

Type	LED module
Lamp wattage [W]	7 W
Input voltage [V]	24 VDC
Energy class	E
Flux [lm]	595 lm
Light colour [K]	2700 K
CRI	90+
Lifespan [h]	20000h
Dimmable	yes (PWM)



CP14442

Type	LED module
Lamp wattage [W]	7 W
Input voltage [V]	24 VDC
Energy class	E
Flux [lm]	659 lm
Light colour [K]	4000 K
CRI	90+
Lifespan [h]	20000h
Dimmable	yes (PWM)



CP14444

Type	LED module
Lamp wattage [W]	7 W
Input voltage [V]	24 VDC
Energy class	E
Flux [lm]	705 lm
Light colour [K]	5000 K
CRI	90+
Lifespan [h]	20000h
Dimmable	yes (PWM)

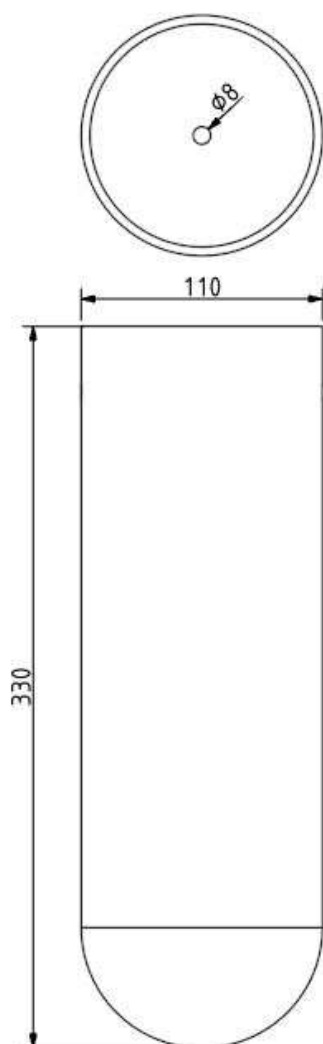


INNER FIXTURE

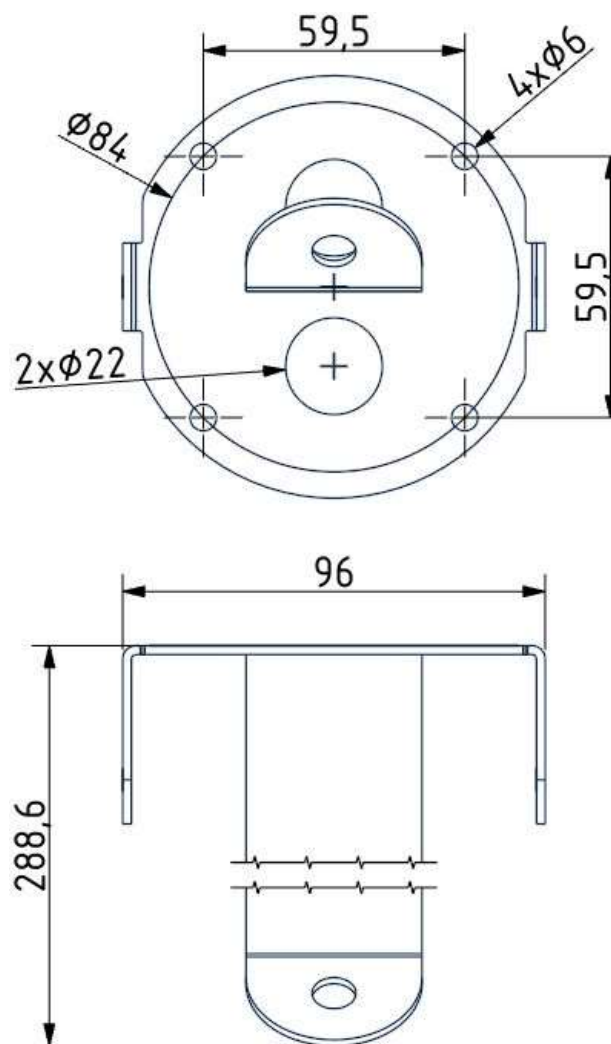
Dimensions O x w [mm] 110 x 330 mm
Weight [kg] 1.3 kg
Material glass



Drawing



Hole placement



DATASHEET

Type: **PURO SOLO**
Name: Pendent light
ID: PC1122
Designed by: Lucie Koldová



Download

Description

Puro is a boldly minimalistic variation on the atmospheric pendent light. Inspiration for the collection and its name comes from the Spanish word for cigar 'puro', which also alludes to the clean lines of the composition.



Tech. description

The light comprises a glass tube, LED source, and dural end caps for a compact visage. The assembly is attached to the ceiling canopy by means of the power cord fitted with a Brokis connector.

Colours options: https://brokis.sharepoint.com/:b/s/brokis_sp/EbMnRgbqMZpLnjeBfS2ILf4BfAfAD0p9mLQ6HobgAPuklw

CONSTRUCTION SPECIFICATION

Weight: 3.2 kg
Construction material: glass, metal
Cord length [mm]: 2,000 mm
Mounting: Ceiling
Environment: Indoor

DIMENSIONS [mm]



ELECTRICAL SPECIFICATION

Input voltage [V]: 100 - 240 V
Frequency [Hz]: 50-60 Hz
Max. power [W]: 10 W LED
Coverage IP: 20
Socket: -
Light source: non-user replaceable LED module
Energy class: A+

CERTIFICATIONS



BROKIS®

BROKIS S.R.O.
ŠPANILOVA 1315/25
163 00 PRAHA 6 - ŘEPY
CZECH REPUBLIC

ORG ID 64940799
VAT ID CZ64940799
C 42174 MĚSTSKÝ SOUD
V PRAZE

TEL +420 567 211 517
TECHNICAL@BROKIS.CZ
INFO@BROKIS.CZ
WWW.BROKIS.CZ

2021_02
PAGE 1



CP6879

Type	LED module
Lamp wattage [W]	10 W
Input voltage [V]	24 VDC
Energy class	A+
Flux [lm]	730 lm
Light colour [K]	2700 K
CRI	80+
Lifespan [h]	20000h
Dimmable	yes (PWM)



DATASHEET

RECOMENDED CANOPY



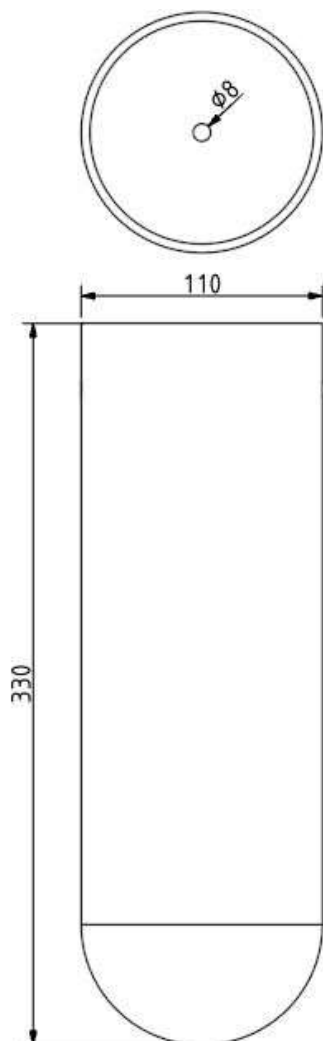
Download

CEILING CANOPY

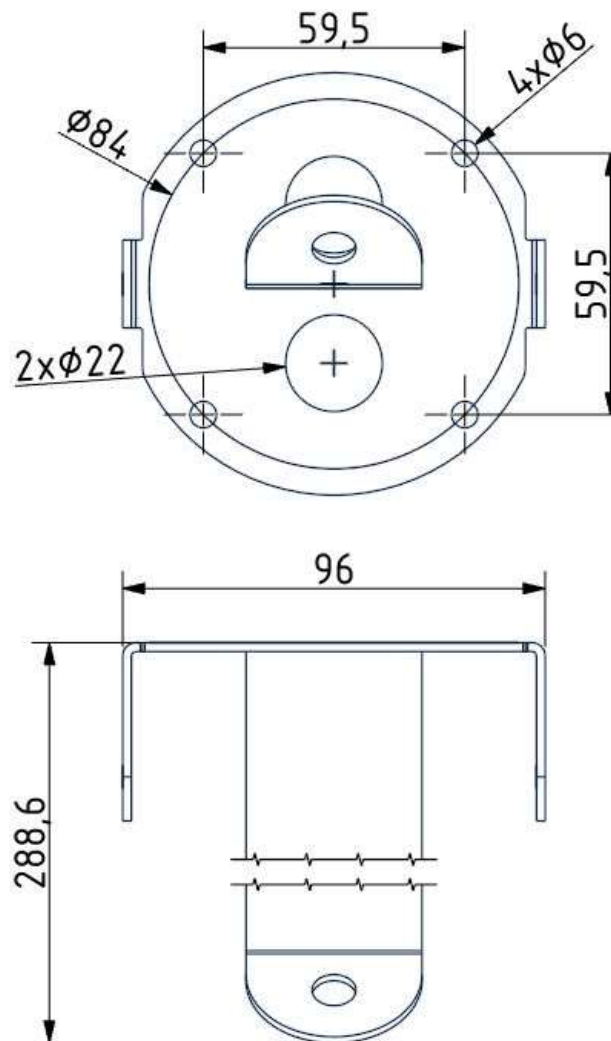
Dimensions O x w [mm] 110 x 330 mm
Weight [kg] 1.3 kg
Material glass



Drawing



Canopy bracket



DATASHEET

Type: **PURO SOLO**
Name: Pendent light
ID: PC1123
Designed by: Lucie Koldová



Download

Description

Puro is a boldly minimalistic variation on the atmospheric pendent light. Inspiration for the collection and its name comes from the Spanish word for cigar 'puro', which also alludes to the clean lines of the composition.



Tech. description

The light comprises a glass tube, LED source, and dural end caps for a compact visage. The assembly is attached to the ceiling canopy by means of the power cord fitted with a Brokis connector.

Colours options: https://brokis.sharepoint.com/:b/s/brokis_sp/EYK0VpYHGyZCh5pDmfdQjtQBEZUpG0N_XxKy6QYVtsQQ

CONSTRUCTION SPECIFICATION

Weight: 3.7 kg
Construction material: glass, metal
Cord length [mm]: 2,000 mm
Mounting: Ceiling
Environment: Indoor

DIMENSIONS [mm]



ELECTRICAL SPECIFICATION

Input voltage [V]: 100 - 240 V
Frequency [Hz]: 50-60 Hz
Max. power [W]: 15 W LED
Coverage IP: 20
Socket: -
Light source: non-user replaceable LED module
Energy class: A+

CERTIFICATIONS



BROKIS®

BROKIS S.R.O.
ŠPANILOVA 1315/25
163 00 PRAHA 6 - ŘEPY
CZECH REPUBLIC

ORG ID 64940799
VAT ID CZ64940799
C 42174 MĚSTSKÝ SOUD
V PRAZE

TEL +420 567 211 517
TECHNICAL@BROKIS.CZ
INFO@BROKIS.CZ
WWW.BROKIS.CZ

2021_02
PAGE 1



CP7054

Type	LED module
Lamp wattage [W]	15 W
Input voltage [V]	24 VDC
Energy class	A+
Flux [lm]	1100 lm
Light colour [K]	2700 K
CRI	80+
Lifespan [h]	20000h
Dimmable	yes (PWM)



DATASHEET

RECOMENDED CANOPY



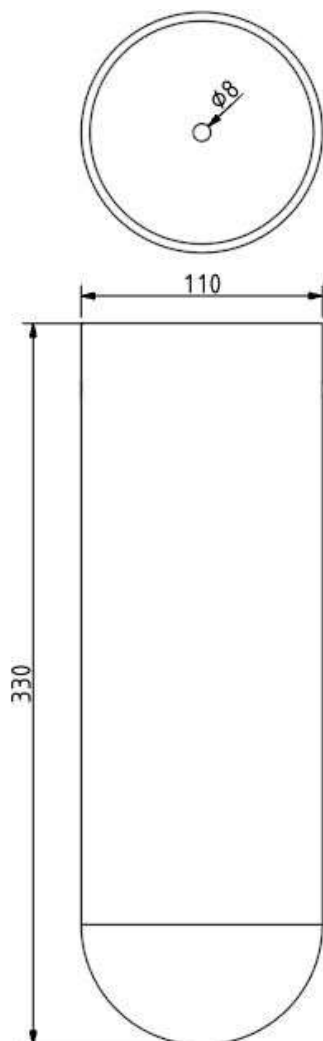
Download

CEILING CANOPY

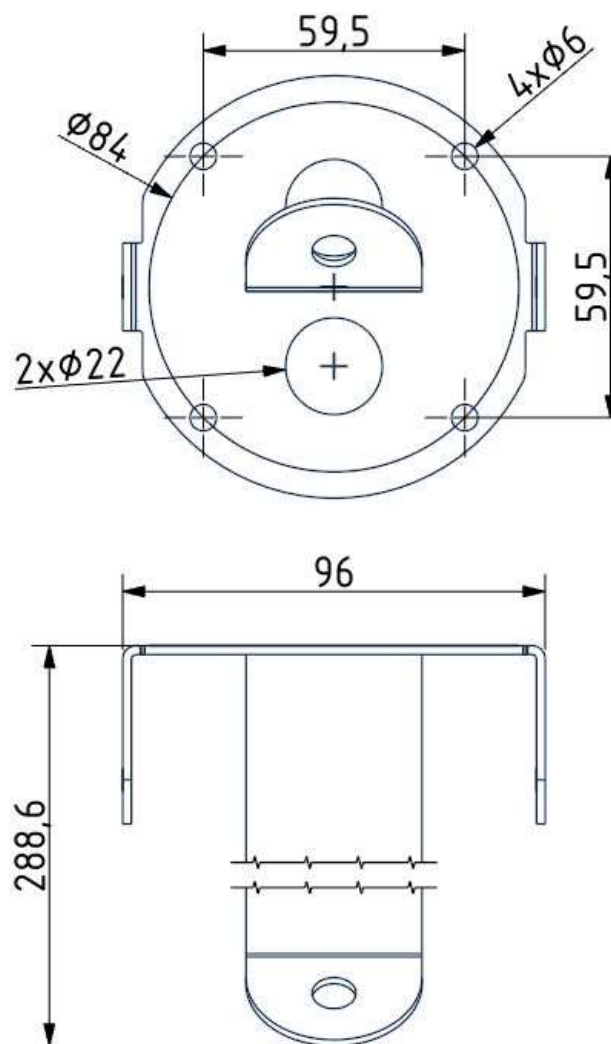
Dimensions O x w [mm] 110 x 330 mm
Weight [kg] 1.3 kg
Material glass



Drawing



Canopy bracket



DATASHEET

Type: **PURO SOLO**
Name: Pendent light
ID: PC1124
Designed by: Lucie Koldová



Download

Description

Puro is a boldly minimalistic variation on the atmospheric pendent light. Inspiration for the collection and its name comes from the Spanish word for cigar 'puro', which also alludes to the clean lines of the composition.

Tech. description

The light comprises a glass tube, LED source, and dural end caps for a compact visage. The assembly is attached to the ceiling canopy by means of the power cord fitted with a Brokis connector.



Colours options: https://brokis.sharepoint.com/:b/s/brokis_sp/ESkN2EY_nttFtUrompaigulB21MKMY6YNio2K1UAWzf-XQ

CONSTRUCTION SPECIFICATION

Weight: 4.9 kg
Construction material: glass, metal
Cord length [mm]: 2,000 mm
Mounting: Ceiling
Environment: Indoor

DIMENSIONS [mm]



ELECTRICAL SPECIFICATION

Input voltage [V]: 100 - 240 V
Frequency [Hz]: 50-60 Hz
Max. power [W]: 20 W LED
Coverage IP: 20
Socket: -
Light source: non-user replaceable LED module
Energy class: A+

CERTIFICATIONS



BROKIS®

BROKIS S.R.O.
ŠPANILOVA 1315/25
163 00 PRAHA 6 - ŘEPY
CZECH REPUBLIC

ORG ID 64940799
VAT ID CZ64940799
C 42174 MĚSTSKÝ SOUD
V PRAZE

TEL +420 567 211 517
TECHNICAL@BROKIS.CZ
INFO@BROKIS.CZ
WWW.BROKIS.CZ

2021_02
PAGE 1



CP7057

Type	LED module
Lamp wattage [W]	20 W
Input voltage [V]	24 VDC
Energy class	A+
Flux [lm]	1460 lm
Light colour [K]	2700 K
CRI	80+
Lifespan [h]	20000h
Dimmable	yes (PWM)



DATASHEET

RECOMENDED CANOPY



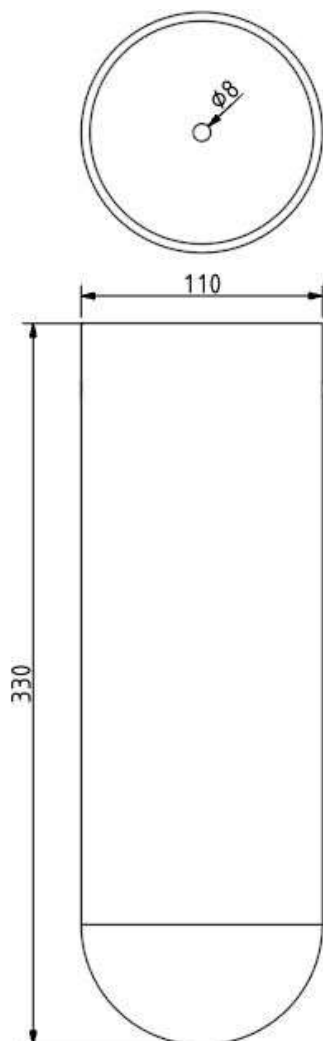
Download

CEILING CANOPY

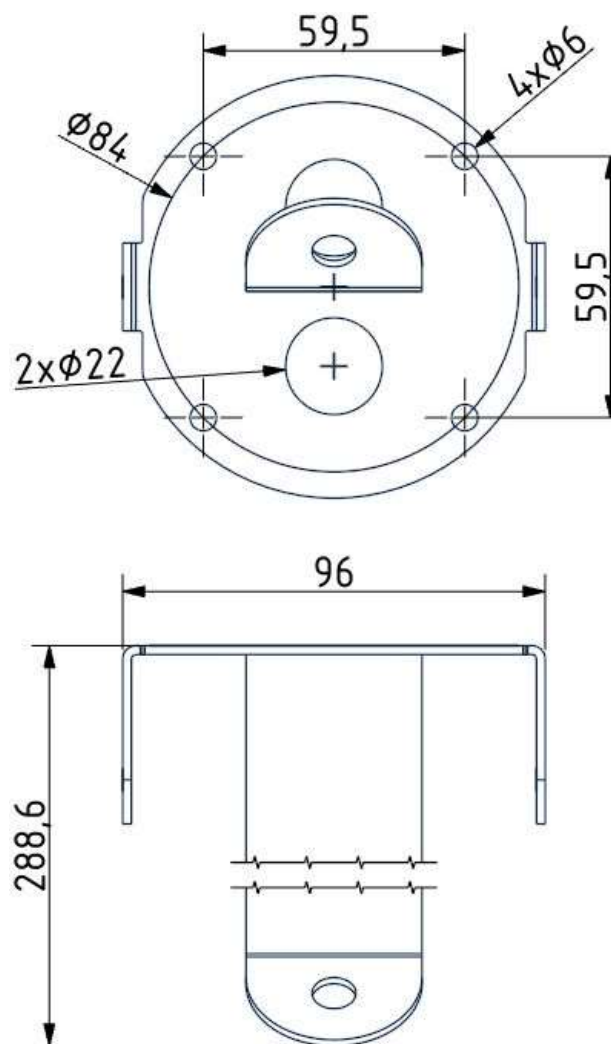
Dimensions O x w [mm] 110 x 330 mm
Weight [kg] 1.3 kg
Material glass



Drawing



Canopy bracket



BROKIS S.R.O.
ŠPANILOVA 1315/25
163 00 PRAHA 6 - ŘEPY
CZECH REPUBLIC

ORG ID 64940799
VAT ID CZ64940799
C 42174 MĚSTSKÝ SOUD
V PRAZE

TEL +420 567 211 517
TECHNICAL@BROKIS.CZ
INFO@BROKIS.CZ
WWW.BROKIS.CZ

2021_02
PAGE 3