

BROKIS®

PLANETS

CM12322

PLANETS 1 - PC1234



Download

COMPONENTS INCLUDED WITH UNIT:

ceiling canopy with electronics, brass safety ball with set screw, Wago terminal connectors, pulley bracket, pulley, counterweight, LED light source with power cable, 1x metal shade cover, 1x glass shade, hex key size 3, hex key size 5, two pairs cotton gloves, installation manual

WARNING:

Installation must be carried out by a qualified electrician only.

Switch off power at main circuit panel prior to installation!

The manufacturer assumes no liability for damage occurring in transport or resulting from incorrect installation.

!!! INSTALLATION MUST BE CARRIED OUT BY TWO PERSONS !!!

Installation time: 45 minutes/2 persons



BROKIS®

BROKIS S.R.O.
ŠPANILOVA 1315/25
163 00 PRAHA 6 - ŘEPY
CZECH REPUBLIC

ORG. ID 64940799
VAT ID CZ64940799
C 42174 MĚSTSKÝ SOUD
V PRAZE

TEL +420 567 211 517
TECHNICAL@BROKIS.CZ
INFO@BROKIS.CZ
WWW.BROKIS.CZ



CLEANING THE GLASS

The light can be cleaned using common cleaning agents. Never use solvents or abrasives (scouring powder).

PRIOR TO SHIPPING, THE FUNCTIONALITY OF EACH LIGHT AND ITS COMPONENTS IS THOROUGHLY TESTED. THE MANUFACTURER ASSUMES NO LIABILITY FOR THE MISHANDLING OF PRODUCTS.



BROKIS®

BROKIS S.R.O.
ŠPANILOVA 1315/25
163 00 PRAHA 6 - ŘEPY
CZECH REPUBLIC

ORG. ID 64940799
VAT ID CZ64940799
C 42174 MĚSTSKÝ SOUD
V PRAZE

TEL +420 567 211 517
TECHNICAL@BROKIS.CZ
INFO@BROKIS.CZ
WWW.BROKIS.CZ

1. INSTALLING THE CEILING CANOPY BRACKET AND PULLEY BRACKET

With regard to various types of ceilings, we recommend consulting installation with an expert. The manufacturer assumes no liability for incorrect installation or defects in the material to which the brackets are secured.

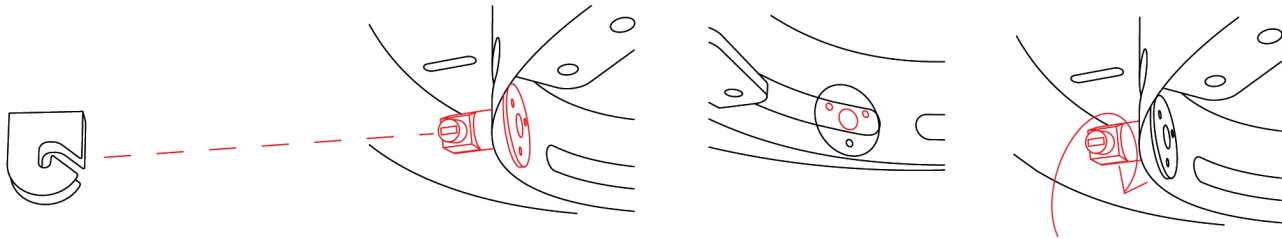
THE LIGHT MUST BE HUNG FROM A FLAT AND LEVEL CEILING ONLY!

Choose anchors of sufficient strength (not included) and secure the ceiling canopy bracket to the ceiling. Next, secure the pulley bracket to the ceiling so that the distance between the edge of the ceiling canopy and the pulley bracket is not shorter than 700 mm. The open side of the pulley bracket must face the ceiling canopy.



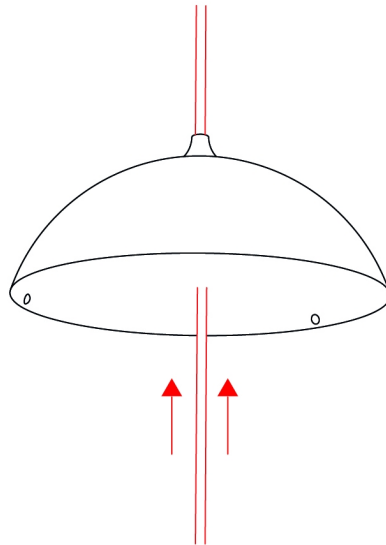
2. INSTALLING THE CABLE STOP

Align the cable stop in the ceiling canopy with the pulley bracket. Turn the brass washer under the cable stop so that the opening in it points into the ceiling canopy bracket. Tighten the cable stop.



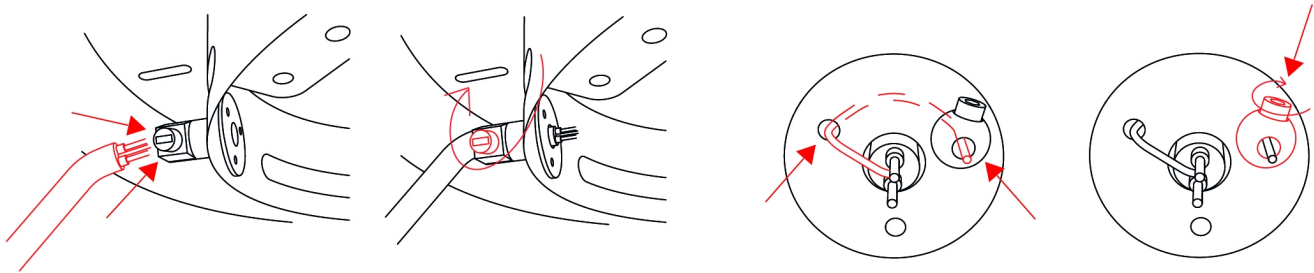
3. INSTALLING CABLE 2

Pass the cable through the metal shade cover so that it extends from the top.



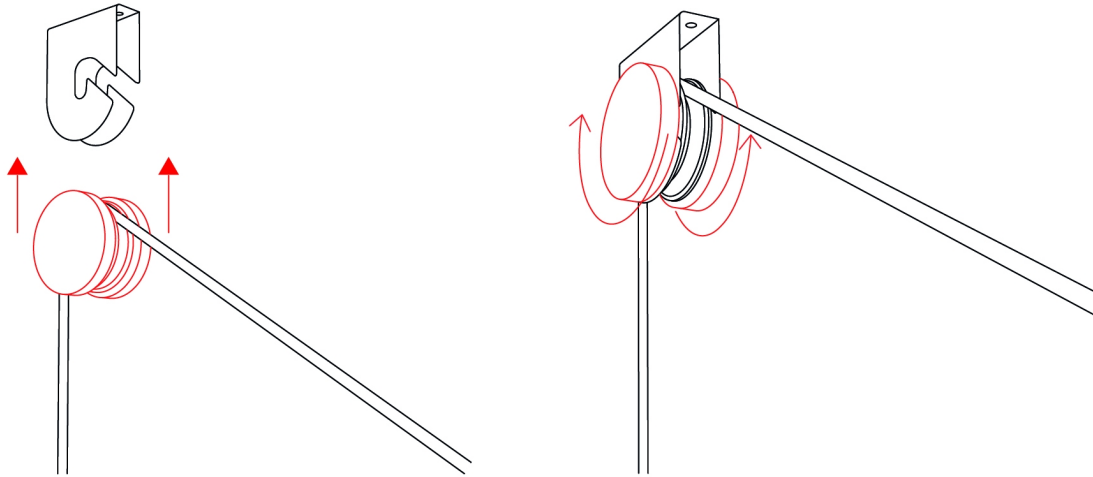
4. INSTALLING CABLE 2

Pass the cable through the cable stop in the ceiling canopy and secure it with the plastic set screw using 1–1.5 Nm of force. Pass the wire rope in the cable through the opening in the washer under the cable stop. Thread the brass safety ball onto the wire rope and secure it with the set screw in the ball. Cut the wire rope leaving 10 mm extending from the ball. Repeat these steps for the other cables.

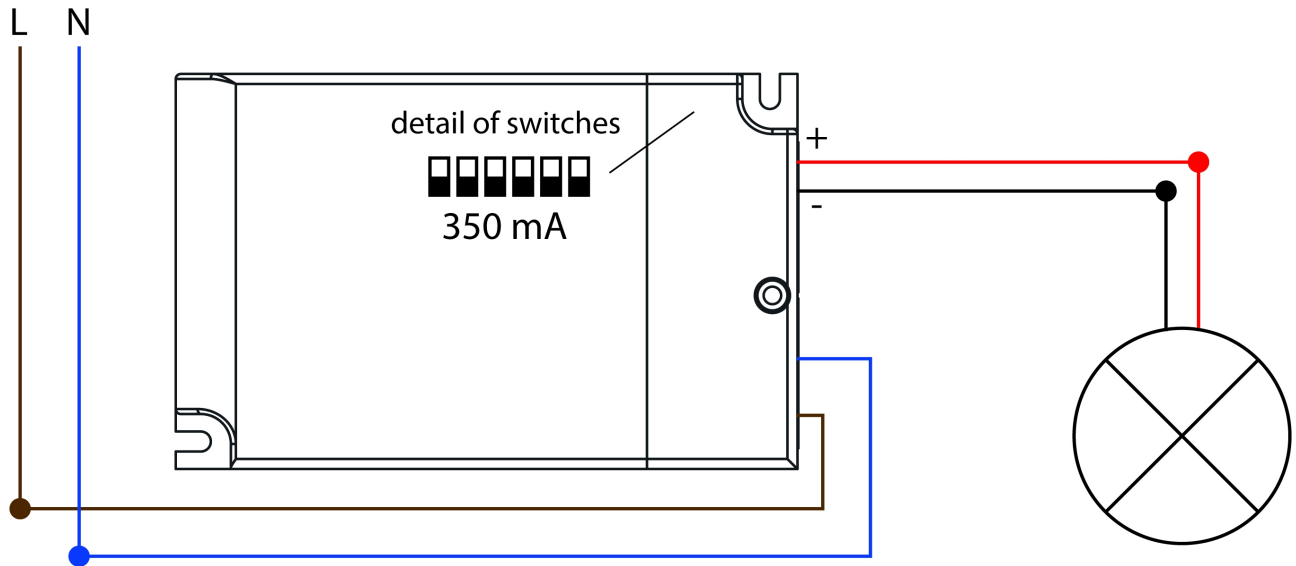


5. INSTALLING THE PULLEY

Position the cable on the pulley and hang the pulley from the bracket. Gently tighten the pulley.

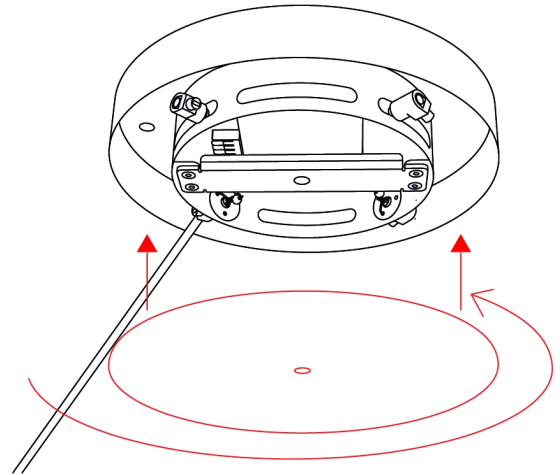
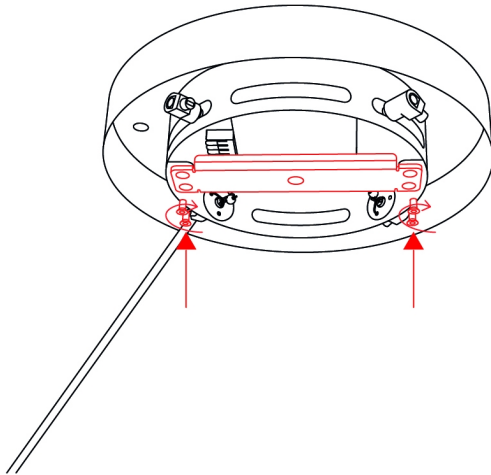


6.



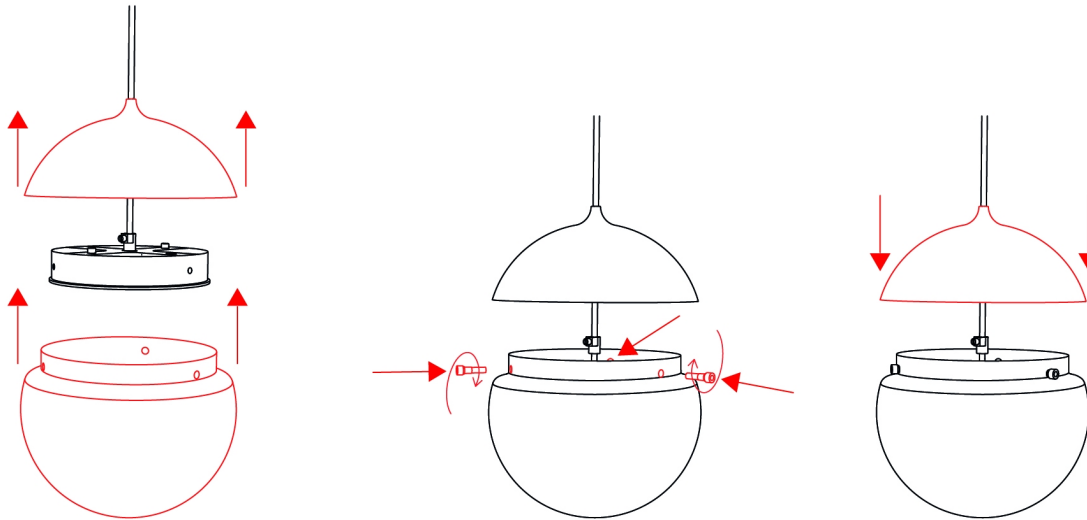
7. INSTALLING THE CEILING CANOPY COVER

Position the cover support brace in the ceiling canopy bracket and secure it with four M4x8 screws.



8. INSTALLING THE GLASS SHADE

Lift the metal shade cover off the LED light source and install the glass shade from beneath using three M6x20 screws. Tighten the screws gradually to ensure the shade is centred. Replace the metal shade cover.



9. INSTALLING THE COUNTERWEIGHT

The counterweight must be installed with assistance from another person! One person holds the light assembly, and the other person lifts the counterweight onto the cable. The person holding the light assembly can then lower it to hang freely.

