

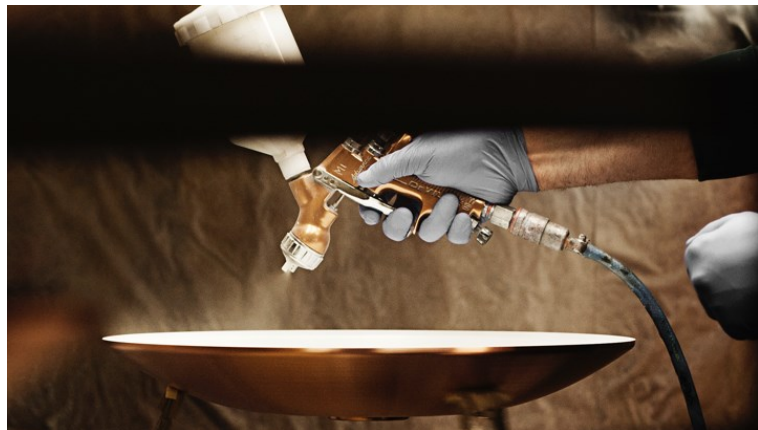
# PH SEPTIMA

The seven-shade glass crown emits a glare-free, downward directed light, while radiating a pleasantly delicate glow. From shade to shade, frosted glass fields alternately cover the clear ones, thus diffusing the light even more softly.



## Poul Henningsen

Poul Henningsen was born in Copenhagen by the famous Danish writer Agnes Henningsen. He never graduated as an architect, but studied at The Technical School at Frederiksberg, Denmark from 1911-14, and then at Technical College in Copenhagen from 1914-17.



## Product info

### Mounting

Suspension type: E27 Cable: White textile 2x0,75mm<sup>2</sup> & wire. Untreated, brass canopy Cable length: 3m.

### Finish

Clear glass with sandblasted fields. Satin polished brass, untreated.

### Materials

Shades: Clear glass with sandblasted fields. Legs: Steel, brass metallised. Socket housing and canopy: Satin polished brass, untreated. Please note that the brass surface is untreated. The untreated brass will change over time and develop a patina.

### Sizes and weights

Width x Height x Length (mm) | 500 x 405 x 500 Max 5.8 kg

### Class

Ingress protection IP20. Electric shock protection I w. ground.

### Light source

1x28W E27



## Product variants

### Light source

1x28W E27

# Design

Poul Henningsen

# Weight

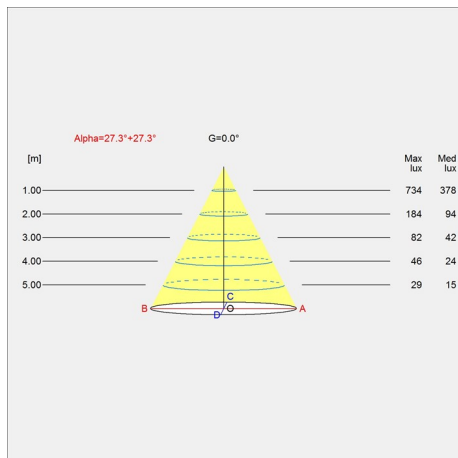
5.836

# Finish

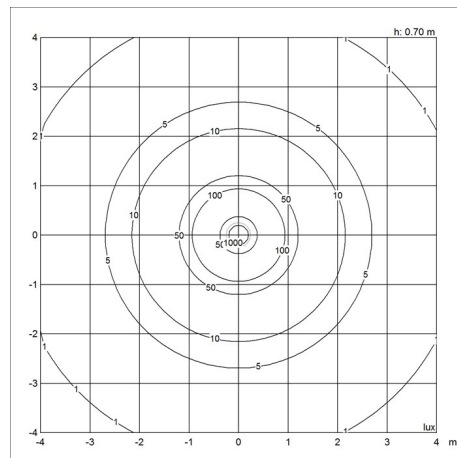
Clear and matt glass/brass

# Light distribution diagrams

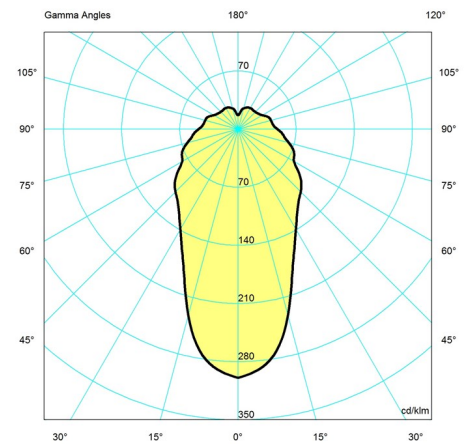
### Cartesian



### Isolux



### Polar



# Spare parts & accessories

Product	Variant number
PH Septima shade 7 with diffuser	5741105256
PH Septima shade 6	5741105269
PH Septima shade 5	5741105272
PH Septima shade 4	5741105285
PH Septima shade 3	5741105298
PH Septima shade 2	5741105308
PH Septima, funnel	5741105311
PH Septima shade 1	5741105324
PH Septima top ball	5741105337
PH Septima support stand	5741105366
PH Septima, canopy without side entry	5741106006