

PH 80

The fixture emits a diffused, reflected, symmetrical light. The majority of the light is directed downward. The opal acrylic shades provide comfortable room lighting. On the original fixture, the red hue of the top reflector adds an intense, warm glow to the light. The black and white fixtures have a white top reflector that reflects the light for a clean, elegant look. The choice of light source will determine the color of the illumination.



Poul Henningsen

Poul Henningsen was born in Copenhagen by the famous Danish writer Agnes Henningsen. He never graduated as an architect, but studied at The Technical School at Frederiksberg, Denmark from 1911-14, and then at Technical College in Copenhagen from 1914-17.



Product info

Mounting

Cord type: Plastic cord with plug. Cord length: 2.6 m. Light control: on/off switch or dimmer on cord.

Finish

White opal acrylic shades. High-luster chrome-plated stand with textured black base. Black stand with smooth black base. White stand with smooth white base.

Materials

Shades: High-pressure molded white opal acrylic. Top reflector: Red or white polycarbonate. Top cover and base: Black or white; high-pressure molded ABS. Stand: High-luster chrome-plated, or black or white powder-coated steel.

Sizes and weights

Width x Height x Length (mm) | 550 x 1315 x 550 Max 7.6 kg

Class

Ingress protection IP20. Electric shock protection II w/o ground.

Specification notes

The innovation of light sources is ongoing. Consequently we only inform about the max. wattages. On www.louispoulsen.com we update a list of recommendable light sources.

Light source

1x70W E27



Product variants

Colour	Light source	Switch
<input checked="" type="radio"/> White opal acryl/black	1x70W E27	W/DIMMER
<input type="radio"/> White opal acryl/high lustre chrome plated		W/ON/OFF SWITCH
<input type="radio"/> White opal acrylic/white		

Product description

Portable fixture.
Terse and iconic design.
The size of the three shades is adjusted for optimum performance and comfort.
Top cover is red to add warmth to light distribution.
Member of a family products of various sizes and type.

Mounting

Portable fixture plugs into standard wall outlet.

Light description

The fixture emits glare free, comfortable light.

Design

Poul Henningsen

Material

Shades: opal acrylic, 1.5mm (0.06") thick.
Struts: clear polycarbonate.
Top cover: black and red polycarbonate.
Base: injection molded black ABS, 1.5mm (0.06") thick.
Stem: extruded steel, chrome plated, 1.5mm (0.06") thick.
Switch: on/off, phenolic, on cord.
Socket: Porcelain, medium base for A-21, frosted envelope lamps.

Weight

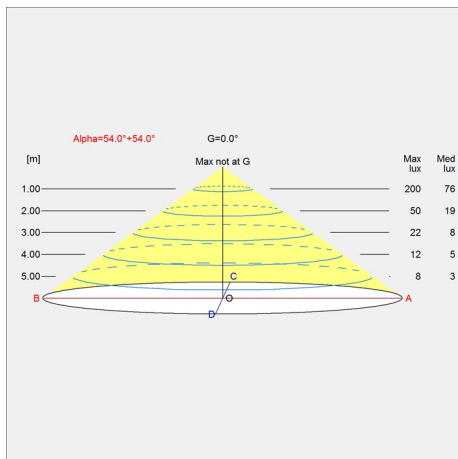
Min: 7.407 kg Max: 7.574 kg

Finish

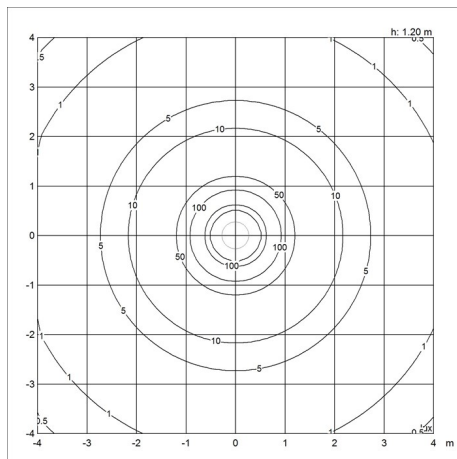
White opal acryl/black, White opal acryl/high lustre chrome plated, White opal acrylic/white

Light distribution diagrams

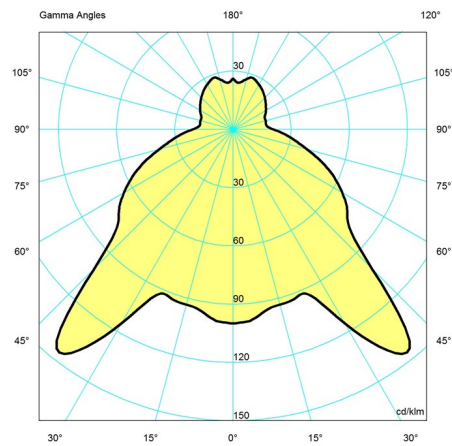
Cartesian



Isolux



Polar



Spare parts & accessories

Product

Variant number

PH 80 top shade	5744610298
PH 80 middle shade	5744610638
PH 80 lower shade	5744610641
PH 80 top rouge/black	5744610667
PH 80 socket cover w/branch	5744610654
PH 80 Floor rebuilding set	5744610793
PH 80 top shade White/Black	5744611530
PH 80 top shade White/White	5744611556
Foot switch On/Off black	5717000000