

PH 5-4½ & PH 6½-6

The trumpet-shaped top shade on the fixture provides illumination of the area above the three shades, which primarily direct the light downwards. A base reflector and a blue glare ring protect against glare from all angles. The strongest light is directly under the fixture. The shades have a matt white painted finish to ensure very comfortable lighting.



Poul Henningsen

Poul Henningsen was born in Copenhagen by the famous Danish writer Agnes Henningsen. He never graduated as an architect, but studied at The Technical School at Frederiksberg, Denmark from 1911-14, and then at Technical College in Copenhagen from 1914-17.



Musashino
Academia
Musicae



Statsministeriet

Product info

Information

PH 5-4½: LED Upgrade kit fits as standard PH 5-4½ E27 produced after 1983. PH 6½-6: The LED insert fits as standard PH 6½-6 E27/E40 produced after 1999. For PH 6½-6 produced prior to 1999 you need a renovation kit which can be acquired as an accessory. Please note the LED insert does not fit variants produced with metal halide. For LED replacement kits please do contact Louis Poulsen.

Mounting

PH 5-4½ (E27): Cable 3 x 0,75mm². Canopy: Yes. Cable length: 3m. PH 5-4½ (LED): Cable 2 x 1,5mm². Canopy: Yes. LED canopy contains driver. Cable length: 4m. PH 6½-6 (LED): Cable 2 x 1 mm² and wire. Canopy or external driver box contains driver. Cable length: 4m. Maximum distance between external driver box and fixture: 20m.

Finish

White.

Materials

Shades: Spun aluminium. Anti-glare disc: Blue, spun aluminium. Struts: Rolled aluminium coloured.

Sizes and weights

Width x Height x Length (mm) | 466 x 318 x 466 Max 3.6 kg | 650 x 500 x 650 Max 8.6 kg

Class

Ingress protection IP20. Electric shock protection I w. ground.

Light source

1x70W E27

Information

PH 5-4½: LED Upgrade kit fits as standard PH 5-4½ E27 produced after 1983.

PH 6½-6: The LED insert fits as standard PH 6½-6 E27/E40 produced after 1999. For PH 6½-6 produced prior to 1999 you need a renovation kit which can be acquired as an accessory. Please note the LED insert does not fit variants produced with metal halide. For LED replacement kits please do contact Louis Poulsen.



Product variants

Dimension	Cable type	Light source	Lumen	Lighting control	Special accessories
5-4½	White fabric cord	1x70W E27	-	-	-
6½-6	White fabric cord and wire	LED 2700K 96W	1446	Dali	EXT. DRIVER
		LED 3000-1800K D2W 41W	1755	Phase dimming (mains dimm)	INT. DRIVER
		LED 3000K 41W	4686	Wireless bluetooth	
		LED 3000K 96W	4875		

Design

Poul Henningsen

Weight

Min: 2.54 kg Max: 8.559 kg

Dimensions

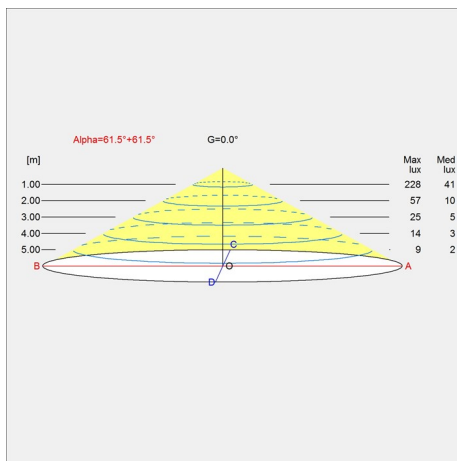
5-4½, 6½-6

Finish

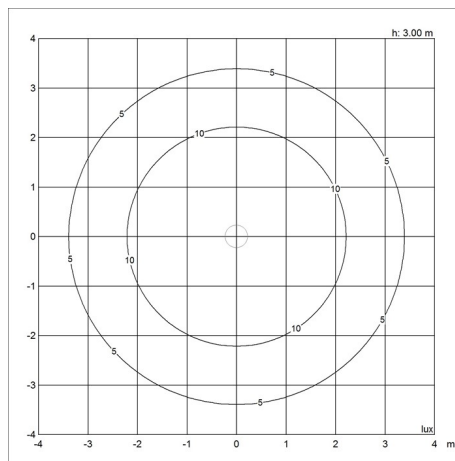
White

Light distribution diagrams

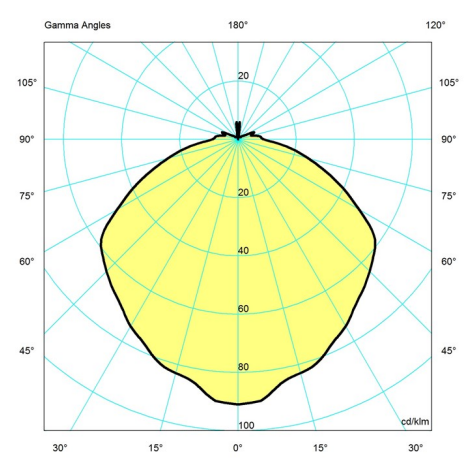
Cartesian



Isolux



Polar



Spare parts & accessories

Product	Variant number
Canopy White 2-part tophat ©	5749329034
PH 61-6 renovation suspension kit	5741097050
Bottom assembly complete PH 5-4½	5741481815