

PH 3½-3 PENDANT

The fixture is 100% glare-free, with a design based on the principle of a reflective three-shade system, which directs most of the light downwards. The shades are made of deepdrawn aluminium with white inner surface that ensures gentle, downward light distribution. The downward light is both soft and pleasant.



Poul Henningsen

Poul Henningsen was born in Copenhagen by the famous Danish writer Agnes Henningsen. He never graduated as an architect, but studied at The Technical School at Frederiksberg, Denmark from 1911-14, and then at Technical College in Copenhagen from 1914-17.



Product info

Mounting

Suspension type: Cable 2x0,75mm². Canopy: Yes. Cable length: 3m.

Finish

Red, green, yellow and white, powder coated

Materials

Shade: Deepdrawn aluminium, suspension: silk matt brown, copper.

Sizes and weights

Width x Height x Length (mm) | 330 x 307 x 330 Max 1.3 kg

Class

Ingress protection IP20. Electric shock protection Cl. II.

Specification notes

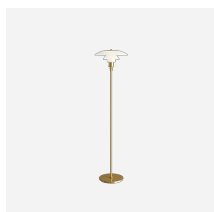
The innovation of light sources is ongoing. Consequently we only inform about the max. wattages. On www.louispoulsen.com we update a list of recommendable light sources.

Light source

1x70W E27



Related products



PH 3½-2½ Floor



PH 3½-2½ Table



PH 3½-2½ Glass Table



PH 3½-3 Glass Pendant

Product variants

Colour

Green

Red

White

Yellow

Light source

1x70W E27

Design

Poul Henningsen

Weight

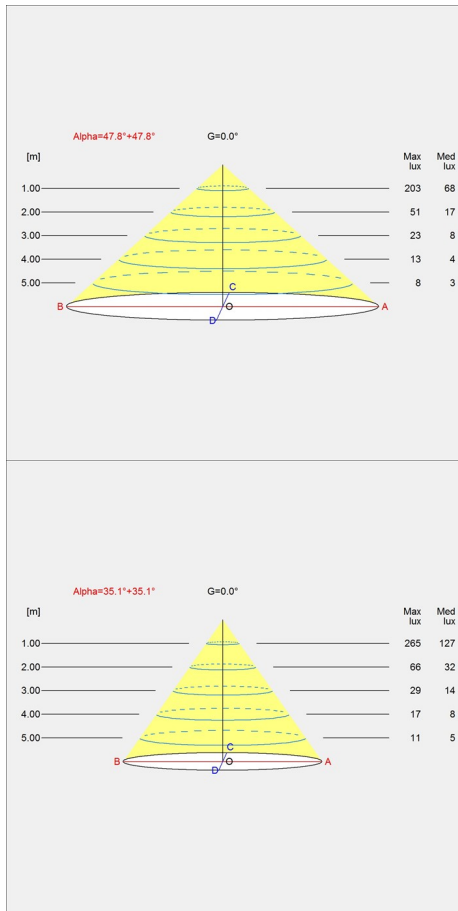
Min: 1.317 kg Max: 1.317 kg

Finish

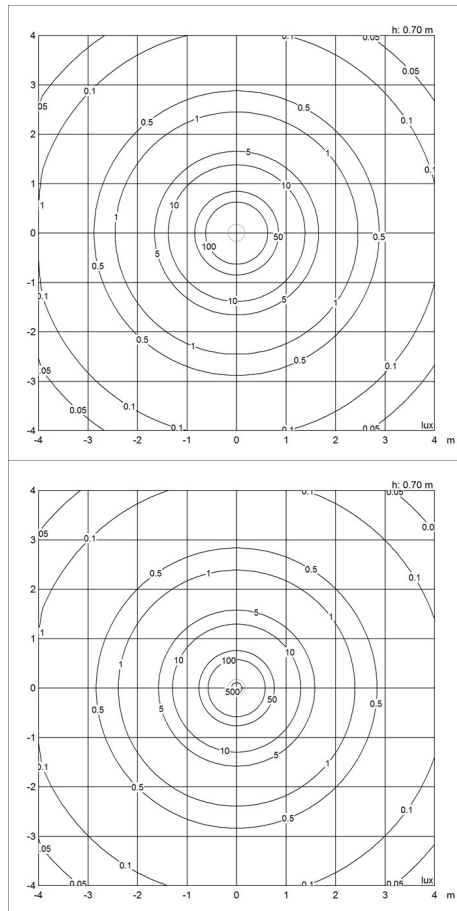
Green, Red, White, Yellow

Light distribution diagrams

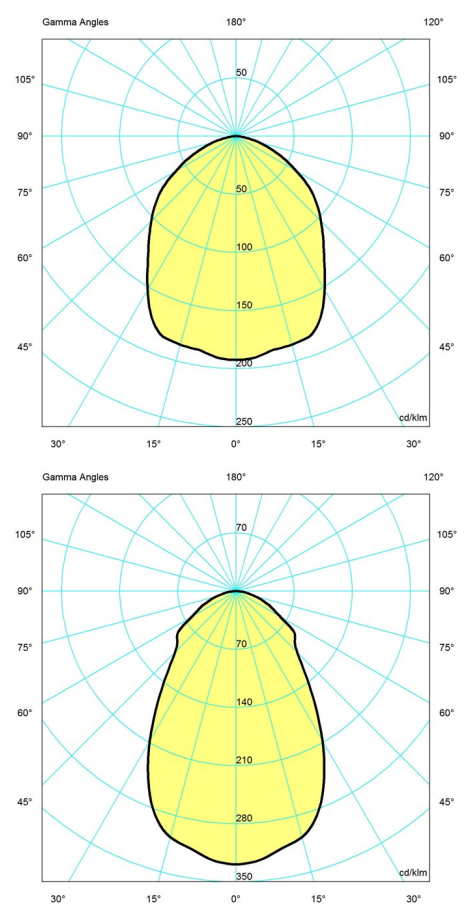
Cartesian



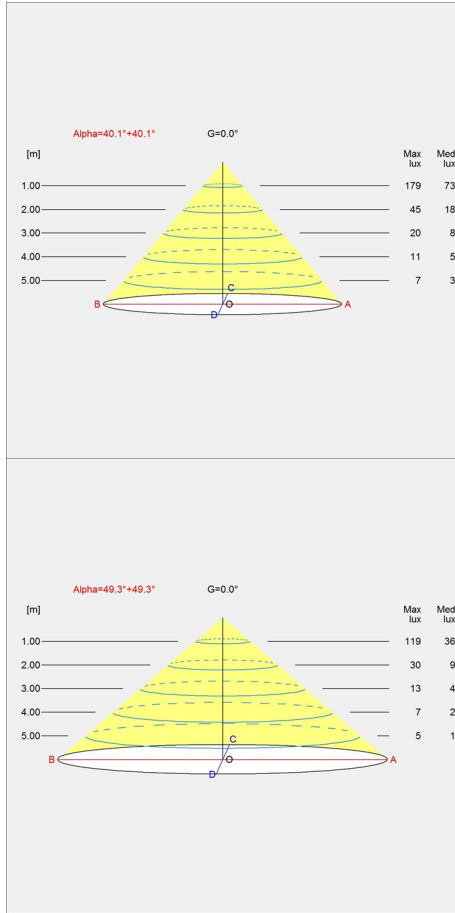
Isolux



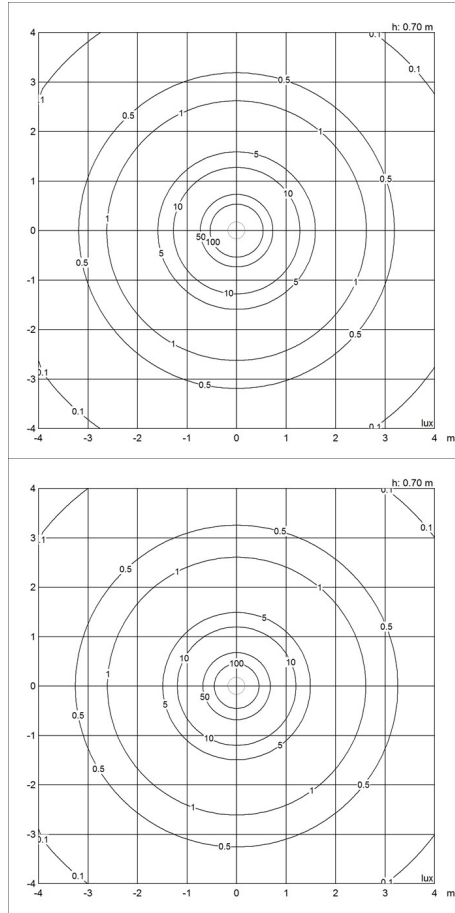
Polar



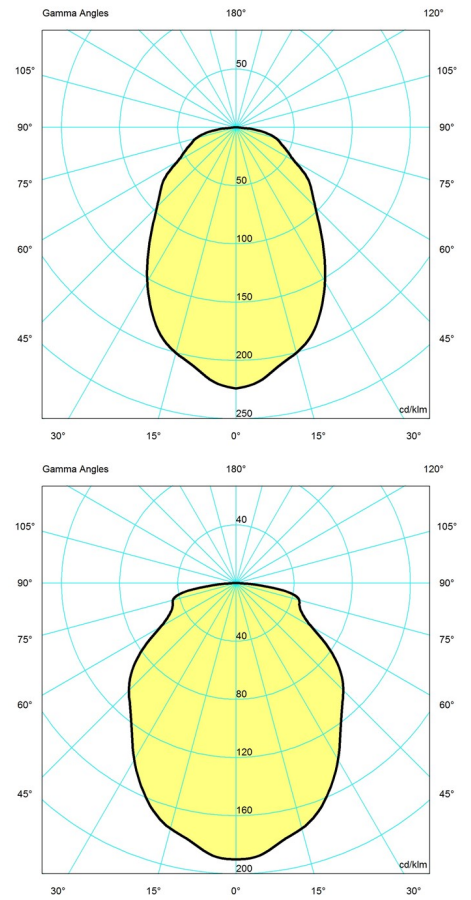
Cartesian



Isolux



Polar



Spare parts & accessories

Product	Variant number
Canopy White 2-part tophat @	5749329034
PH 3½-3 brown 3 x shade screws	5741095418
PH 3½-3 Brown silk matt suspension	5741095395
PH 3½, Red metal top shade	5741095434
PH 3½-3, Red metal middle shade	5741095447
PH 3½-3, Red metal lower shade	5741095450
PH 3½, Green metal top shade	5741095463
PH 3½-3, Green metal middle shade	5741095476
PH 3½-3, Green metal lower shade	5741095489
PH 3½-2½ Opal glass top shade	5741095492
PH 3½-3, White metal middle shade	5741095502
PH 3½-3, White metal lower shade	5741095515
PH 3½, Yellow metal top shade	5741095528
PH 3½-3, Yellow metal middle shade	5741095531
PH 3½-3, Yellow metal lower shade	5741095544
PH 3½-3 brown silk matt brown shadeholder	5741095405
PH 3½-3 brown 2 x lock screw cover	5741095421
Finger screw MCP M4X15 (3pcs) lower	5744611145

