

PH 3¹/₂-2¹/₂ GLASS TABLE

The fixture is designed based on the principle of a reflective three-shade system, which directs the majority of the light downwards. The shades are made of mouth-blown opal three-layer glass, which is glossy on top and sandblasted matt on the underside, giving a soft and diffused light distribution.



Poul Henningsen

Poul Henningsen was born in Copenhagen by the famous Danish writer Agnes Henningsen. He never graduated as an architect, but studied at The Technical School at Frederiksberg, Denmark from 1911-14, and then at Technical College in Copenhagen from 1914-17.



Product info

Mounting

Cable type: Plastic cord with plug. Cable length: 2.5m. Light control: In-line switch on cord.

Finish

Brass metallised, black metallised or high lustre chrome plated. White opal glass.

Materials

Shades: Mouth-blown white opal glass. Top plate: Brass metallised, black metallised or high lustre chrome plated, spun brass. Base and stem: Brass metallised, black metallised or high lustre chrome plated, brass.

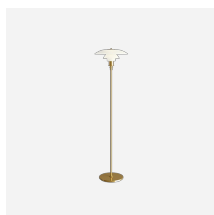
Sizes and weights

Width x Height x Length (mm) | 330 x 465 x 330 Max 3.0 kg

Class

Ingress protection IP20. Electric shock protection I w/ ground.

Related products



PH 3½-2½ Floor



PH 3½-3 Pendant



PH 3½-2½ Table



PH 3½-3 Glass Pendant



Product variants

Colour	Cable type	Light source
● Black metallised	Black cord	-
● Brass metallised	White cord	1x60W 1x60W E14
● High lustre chrome plated		

Design

Poul Henningsen

Weight

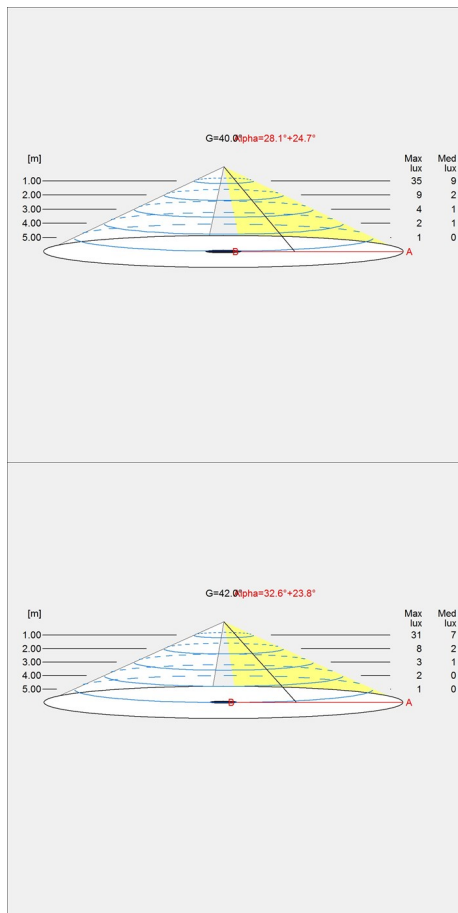
Min: 2.921 kg Max: 3.033 kg

Finish

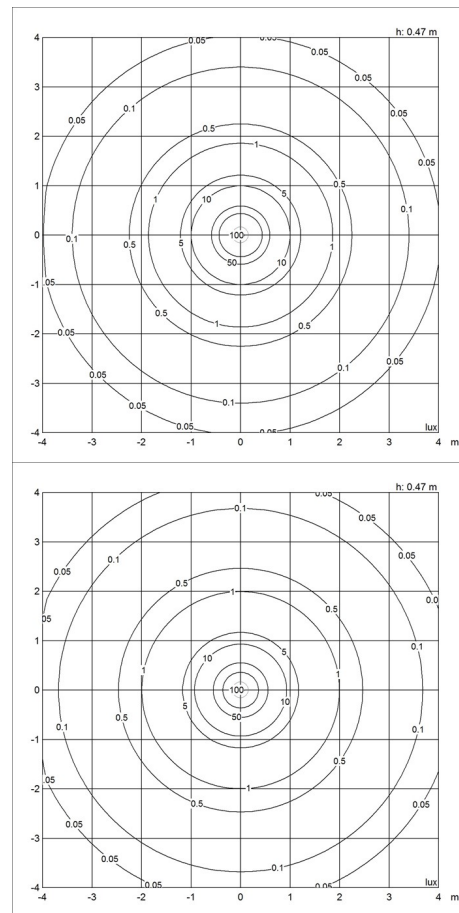
Black metallised, Brass metallised, High lustre chrome plated

Light distribution diagrams

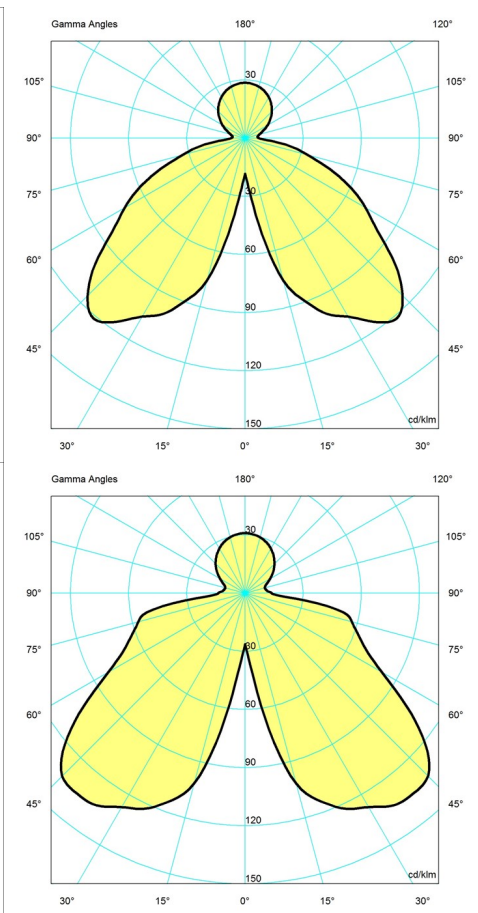
Cartesian



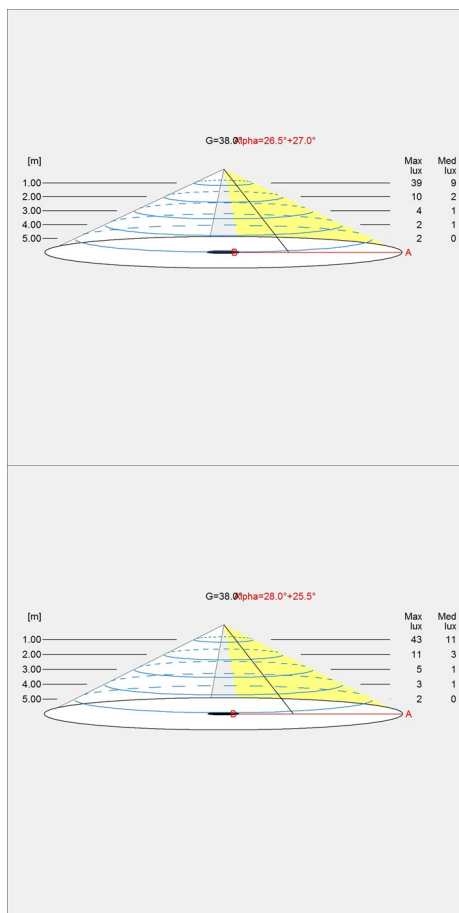
Isolux



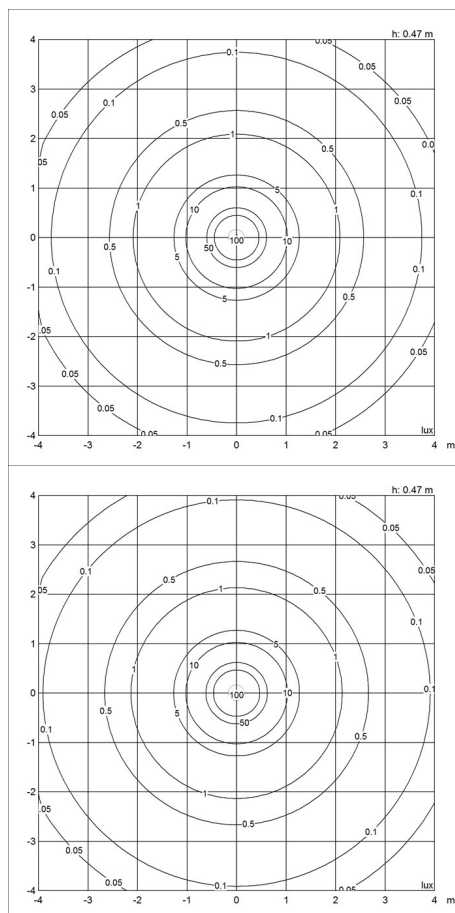
Polar



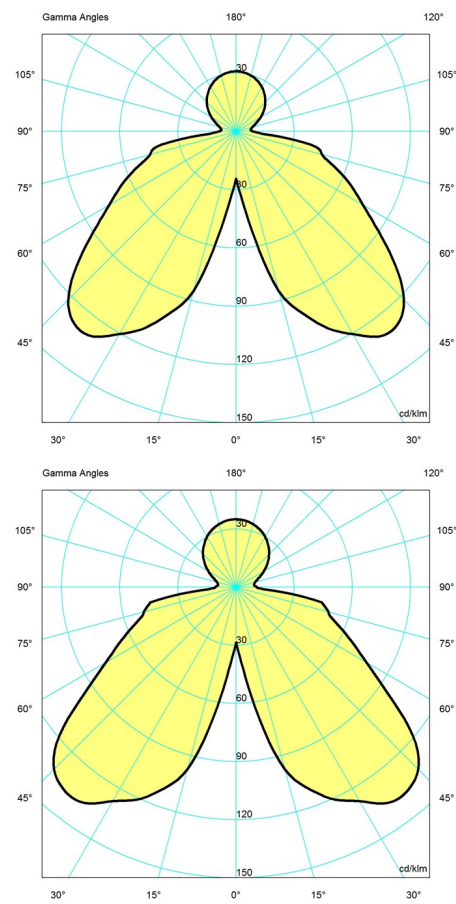
Cartesian



Isolux



Polar



Spare parts & accessories

Product

Finger screw SS M3X12 (3pcs) lower
 Finger screw SS M2X8 (3pcs) middle
 Finger screw brass raw M2X8 (3pcs)middle
 Finger screw brass raw M3X12 (3pcs)lower
 PH 3½-2½ Opal glass middle shade
 PH 3½-2½ Opal glass lower shade
 PH 3½-2½ Opal glass top shade

Variant number

5744610528
 5744611116
 5744611271
 5744611284
 5744162241
 5744162254
 5744162267