

PH 3/2 WALL

The fixture is designed based on the principle of a reflective three-shade system, which directs the majority of the light downwards. The shades are made of mouth-blown opal three-layer glass, which is shiny on the top and sandblasted matt on the inside, giving a soft and diffused light distribution.



Poul Henningsen

Poul Henningsen was born in Copenhagen by the famous Danish writer Agnes Henningsen. He never graduated as an architect, but studied at The Technical School at Frederiksberg, Denmark from 1911-14, and then at Technical College in Copenhagen from 1914-17.



Product info

Mounting

Mounting with cord and plug or for hardwiring. With cord: Cord with plug. Cord length: 2.9m. Light control: On/off switch on wall box. Without cord for hardwiring: Wall bracket for mounting on wall. Light control: Two options. Either with on/off switch on wall box or without switch on wall box with turn on/off at main switch

Finish

White opal glass. High lustre chrome plated.

Materials

Shades: Mouth-blown white opal glass. Top plate: High lustre chrome plated, spun brass. Wall box: High lustre chrome plated, spun brass. Arm: High lustre chrome plated, brass.

Sizes and weights

Width x Height x Length (mm) | 285 x 235 x 285 Max 3.0 kg

Class

Ingress protection IP20. With cord and plug: Electric shock protection II. For hardwiring: Electric shock protection I.

Specification notes

The innovation of light sources is ongoing. Consequently we only inform about the max. wattages. On www.louispoulsen.com we update a list of recommendable light sources.

Light source

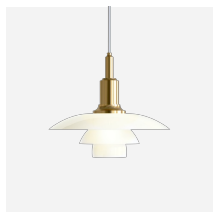
1x40W 1x40W E14



Related products



PH 3/2 Table



PH 3/2 Pendant



PH 3/2 Academy

Product variants

Cable type	Light source	Class	Switch
With cord	1x40W 1x40W E14	I	With switch
Without cord	1x40W E14	II	Without switch

Design

Poul Henningsen

Weight

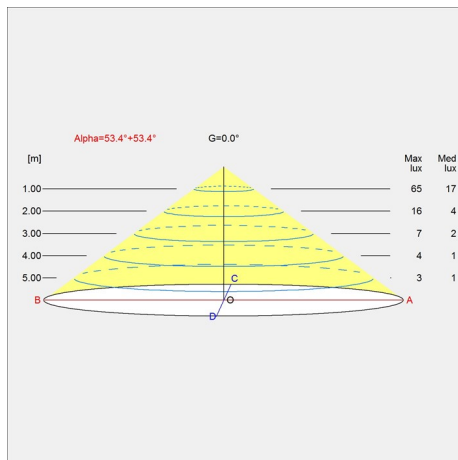
Min: 2.162 kg Max: 3.026 kg

Finish

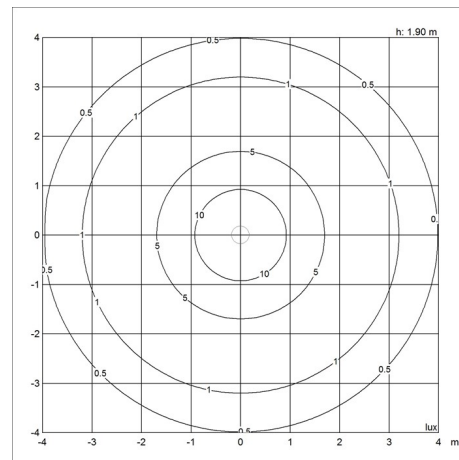
White opal glass

Light distribution diagrams

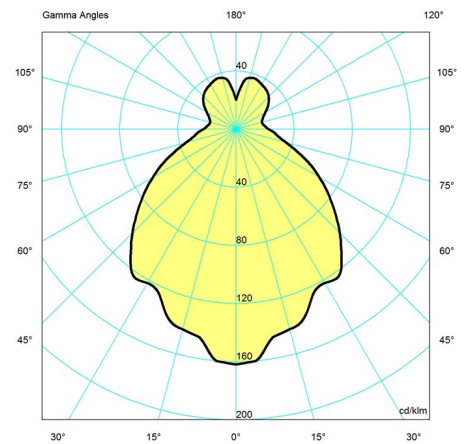
Cartesian



Isolux



Polar



Spare parts & accessories

Product	Variant number
PH 3/2 Opal glass middle shade	5741481598
PH 3/2 Opal glass lower shade	5741481608
PH 3/2 Opal glass top shade	5741481585