

PH 3/2 PENDANT

The fixture is designed based on the principle of a reflective three-shade system, which directs the majority of the light downwards. The shades are made of mouth-blown opal three-layer glass, which is glossy on top and sandblasted matt on the underside, giving a soft and uniform light distribution.



Poul Henningsen

Poul Henningsen was born in Copenhagen by the famous Danish writer Agnes Henningsen. He never graduated as an architect, but studied at The Technical School at Frederiksberg, Denmark from 1911-14, and then at Technical College in Copenhagen from 1914-17.



**Restaurant
Kadeau**



American Heart Institute

Product info

Mounting

Suspension type: Cable 3x0,75mm². Canopy: Yes. Cable length: 3m.

Finish

Brass metallised, black metallised or high lustre chrome plated. White opal glass.

Materials

Shades: Mouth-blown white opal glass. Suspension: Brass metallised, black metallised or high lustre chrome plated, brass.

Sizes and weights

Width x Height x Length (mm) | 285 x 242 x 285 Max 1.4 kg

Class

Ingress protection IP20. Electric shock protection I w. ground.

Specification notes

The innovation of light sources is ongoing. Consequently we only inform about the max. wattages. On www.louispoulsen.com we update a list of recommendable light sources.

Light source

1x75W E27



Related products



PH 3/2 Table



PH 3/2 Academy



PH 3/2 Wall



Product variants

Colour	Cable type	Light source
<ul style="list-style-type: none"> <input type="radio"/> Black metallised <input type="radio"/> Brass metallised <input type="radio"/> High lustre chrome plated 	<ul style="list-style-type: none"> Black fabric cord White fabric cord 	<ul style="list-style-type: none"> 1x75W E27

Product description

Suspended glass luminaire.
Iconic design.
Part of a wide family of multiple sizes.

Mounting

Can be mounted on 4" octagonal junction box (USA only)

Light description

Glare free, symmetric distribution.

Design

Poul Henningsen

Material

Shades: opal, mouth-blown glass, 2mm (0.08") thick, sandblasted interior for diffuse light distribution.
Stem of brass in high lustre or black chrome above glass.
Socket: Porcelain, medium base for A-19, frosted envelope lamps.
Socket position is adjustable to allow correct lamp position and fixture illumination.
Canopy: 5.3" diameter x 0.9" tall cone of spun aluminum.

Weight

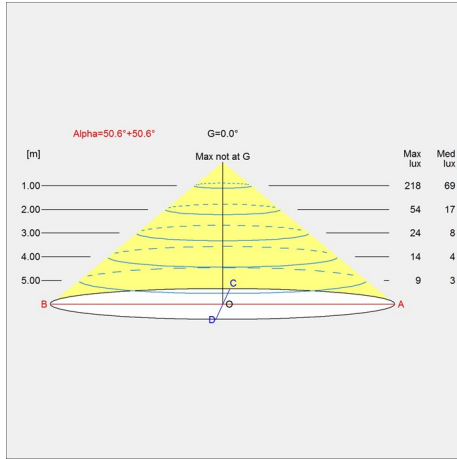
Min: 1.428 kg Max: 1.434 kg

Finish

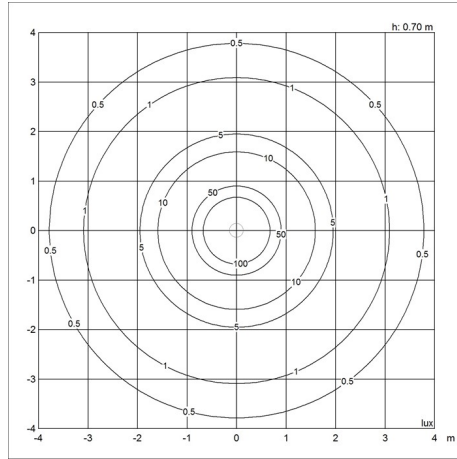
Black metallised, Brass metallised, High lustre chrome plated

Light distribution diagrams

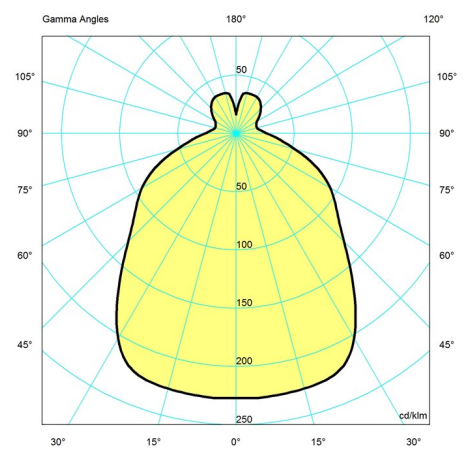
Cartesian



Isolux



Polar



Spare parts & accessories

Product	Variant number
Canopy White 2-part tophat ©	5749329034
Finger screw MCP M3X11 (3pcs) lower	5744611158
Canopy Black 2-part tophat©	5749329021
PH 3/2 Opal glass middle shade	5741481598
PH 3/2 Opal glass lower shade	5741481608
PH 3/2 Opal glass top shade	5741085091
PH 3/2, Chrome plated suspension	5741097539
PH 3/2, Black metallised suspension	5741097568
PH 3/2, Brass metallised suspension	5741100154
Finger screw brass M3X11 (3pcs) lower	5744611297