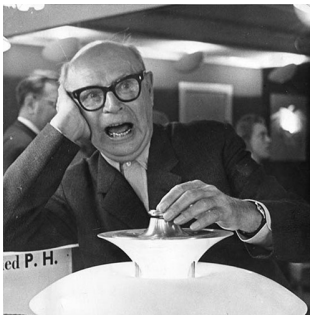


PH 3/2 PENDANT

The fixture is designed based on the principle of a reflective three-shade system, which directs the majority of the light downwards. The shades are made of mouth-blown opal three-layer glass, which is glossy on top and sandblasted matt on the underside, giving a soft and uniform light distribution.



Poul Henningsen

Poul Henningsen was born in Copenhagen by the famous Danish writer Agnes Henningsen. He never graduated as an architect, but studied at The Technical School at Frederiksberg, Denmark from 1911-14, and then at Technical College in Copenhagen from 1914-17.



**Restaurant
Kadeau**



American Heart Institute

Product info

Mounting

Suspension type: Cable 3x0,75mm². Canopy: Yes. Cable length: 3m.

Finish

Brass metallised, black metallised or high lustre chrome plated. White opal glass.

Materials

Shades: Mouth-blown white opal glass. Suspension: Brass metallised, black metallised or high lustre chrome plated, brass.

Sizes and weights

Width x Height x Length (mm) | 285 x 242 x 285 Max 1.4 kg

Class

Ingress protection IP20. Electric shock protection I w. ground.

Specification notes

The innovation of light sources is ongoing. Consequently we only inform about the max. wattages. On www.louispoulsen.com we update a list of recommendable light sources.

Light source

1x75W E27



Related products



PH 3/2 Table



PH 3/2 Wall



PH 3/2 Academy



Product variants

Colour	Cable type	Light source
<input checked="" type="radio"/> Black metallised	Black fabric cord	1x75W E27
<input type="radio"/> Brass metallised	White fabric cord	
<input type="radio"/> High lustre chrome plated		

Product description

Suspended glass luminaire.
Iconic design.
Part of a wide family of multiple sizes.

Mounting

Can be mounted on 4" octagonal junction box (USA only)

Light description

Glare free, symmetric distribution.

Design

Poul Henningsen

Material

Shades: opal, mouth-blown glass, 2mm (0.08") thick, sandblasted interior for diffuse light distribution.
Stem of brass in high lustre or black chrome above glass.
Socket: Porcelain, medium base for A-19, frosted envelope lamps.
Socket position is adjustable to allow correct lamp position and fixture illumination.
Canopy: 5.3" diameter x 0.9" tall cone of spun aluminum.

Weight

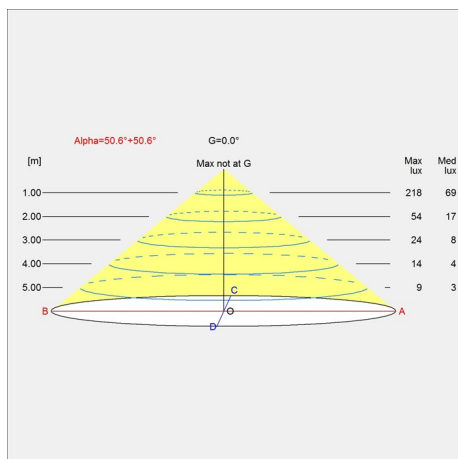
Min: 1.428 kg Max: 1.434 kg

Finish

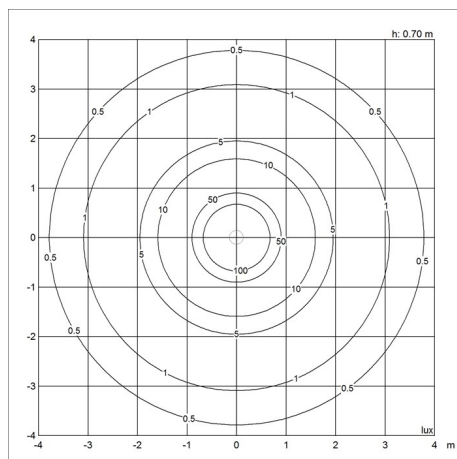
Black metallised, Brass metallised, High lustre chrome plated

Light distribution diagrams

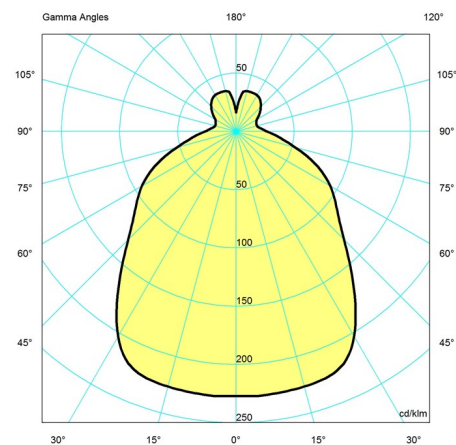
Cartesian



Isolux



Polar



Spare parts & accessories

Product

Canopy White 2-part tophat ©
 Finger screw MCP M3X11 (3pcs) lower
 Canopy Black 2-part tophat©
 PH 3/2 Opal glass middle shade
 PH 3/2 Opal glass lower shade
 PH 3/2 Opal glass top shade
 PH 3/2, Chrome plated suspension
 PH 3/2, Black metallised suspension
 PH 3/2, Brass metallised suspension
 Finger screw brass M3X11 (3pcs) lower

Variant number

5749329034
 5744611158
 5749329021
 5741481598
 5741481608
 5741085091
 5741097539
 5741097568
 5741100154
 5744611297