

BROKIS®



# OVERLAY

CM16076

PENDANT L - PC1298



Download

### COMPONENTS INCLUDED WITH UNIT:

- 1× light
- 1× light source
- 1× hex key size 2.5
- 2× set screw M5×20
- 2× hand screw M4×16
- 1× spirit level
- 1× pair cotton gloves
- 1× installation manual

### WARNING:

**Installation must be carried out by a qualified electrician only.**

**Switch off power at main circuit panel prior to installation!**

**The manufacturer assumes no liability for damage occurring during transport or resulting from incorrect installation.**

**Installation time: 30 minutes / 2 persons**



BROKIS®

BROKIS S.R.O.  
ŠPANIĚLOVA 1315/25  
163 00 PRAHA 6 - ŘEPY  
CZECH REPUBLIC

ORG. ID 64940799  
VAT ID CZ64940799  
C 42174 MĚSTSKÝ SOUD  
V PRAZE

TEL +420 567 211 517  
TECHNICAL@BROKIS.CZ  
INFO@BROKIS.CZ  
WWW.BROKIS.CZ



### CLEANING THE GLASS

**BROKIS upholds only the highest possible quality standards. Prior to shipping, the light undergoes several quality controls and stages of cleaning. Because transportation, storage, and the amount of time that passes between packing at our plant and subsequent unpacking by the client can affect the light in different ways, we strongly recommend cleaning it prior to assembly.**

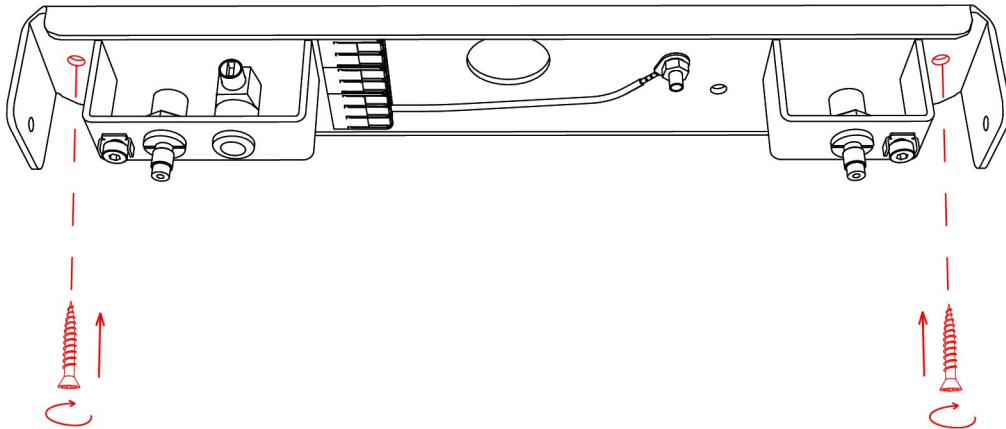
**The glass must first be rinsed in warm water, and a dish detergent may be used to remove all foreign particles, dust, and grease. Repeat the process if necessary and then dry the glass thoroughly with a paper towel. Recommendation: Do not use mineral spirits, highly concentrated thinners, or other substances not intended for use on glass surfaces. Do not use any cleaning agents containing silicone, as they may leave a film and attract dust and smudges.**

**PRIOR TO SHIPPING, THE FUNCTIONALITY OF EACH LIGHT AND ITS COMPONENTS IS THOROUGHLY TESTED. THE MANUFACTURER ASSUMES NO LIABILITY FOR THE MISHANDLING OF PRODUCTS.**



## 1. INSTALLING THE CEILING BRACKET

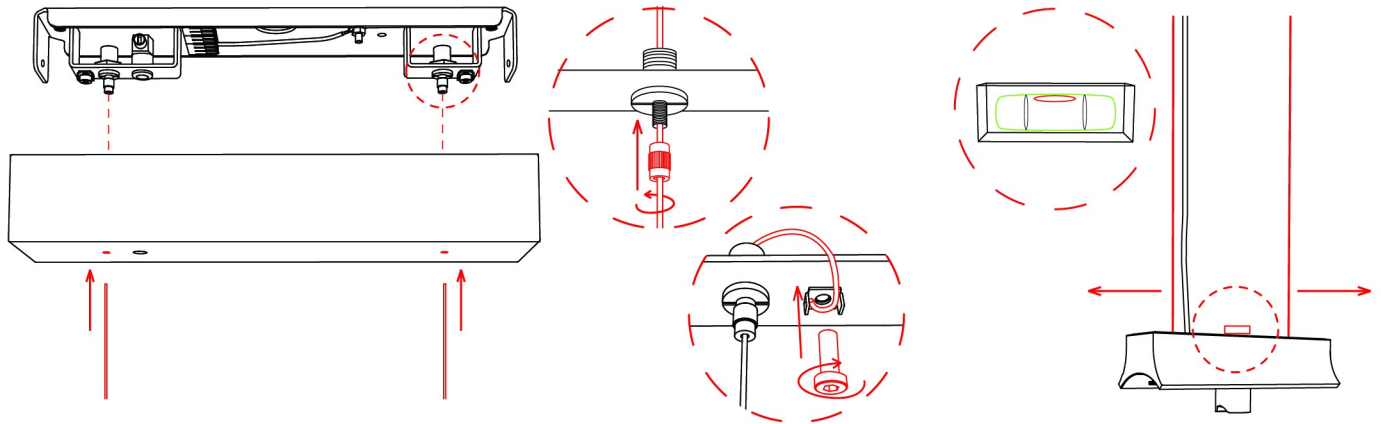
Using anchors of sufficient strength (not included), secure the bracket to the ceiling. With regard to various types of ceilings, we recommend consulting installation with an expert. The manufacturer assumes no liability for incorrect installation, the use of improper anchors, or defects in the material to which the bracket is secured.



## 2. INSTALLING THE LIGHT 1/2

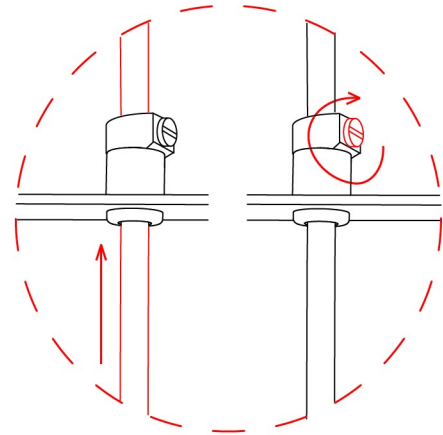
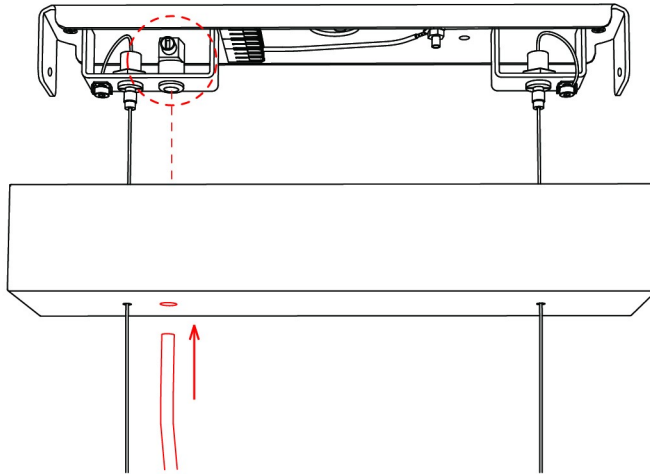
Installation requires the help of an assistant.

Pass the wire ropes through the ceiling canopy. Next, loosen the clamping cylinders on the load-bearing stops in the ceiling bracket and pass the unfrayed wire ropes through them to the required length. Then pass the wire ropes through the second part of the stops and level the light using the provided spirit level. Once the light is level, retighten the clamping cylinders, trim the wire ropes at least 70 mm beyond the stops, and secure the wire ropes beneath the locking screws in the ceiling bracket. Following these steps carefully ensures that the wire ropes, which bear the entire weight of the light, are securely locked in place.



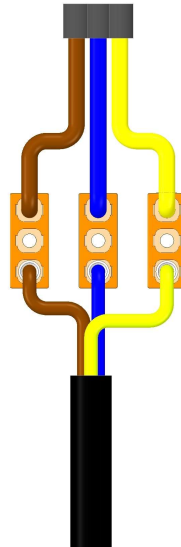
### 3. INSTALLING THE LIGHT 2/2

With the help of an assistant, pass the power cable through the ceiling canopy and insert it in the plastic cable stop in the ceiling bracket. Adjust the length as required and tighten the set screw in the cable stop.



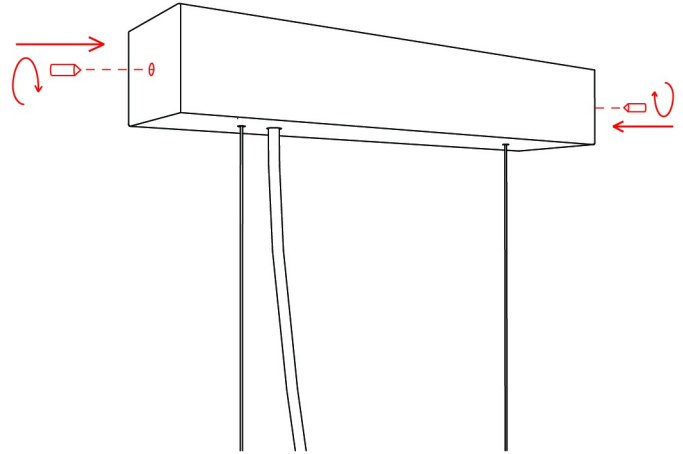
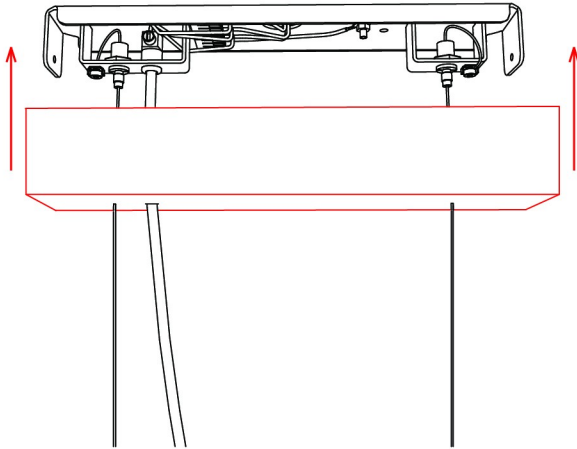
#### 4. CONNECTING THE LIGHT TO THE BUILDING WIRING

Connect the light to the building wiring according to the connection diagram.



## 5. INSTALLING THE CEILING CANOPY

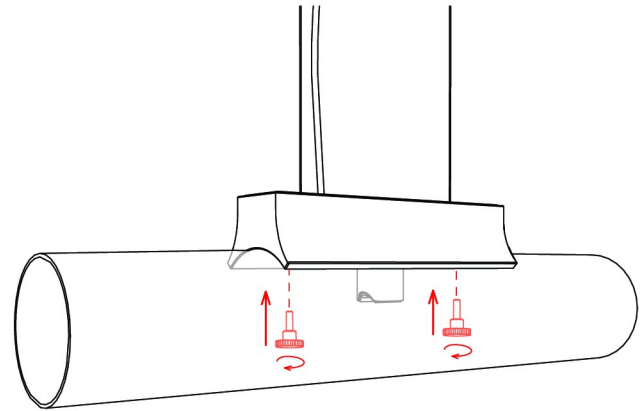
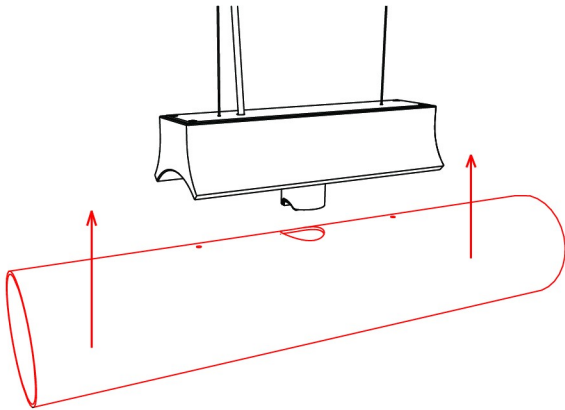
Using the two set screws (M5×20) and the size 2.5 hex key, attach the ceiling canopy to the bracket.





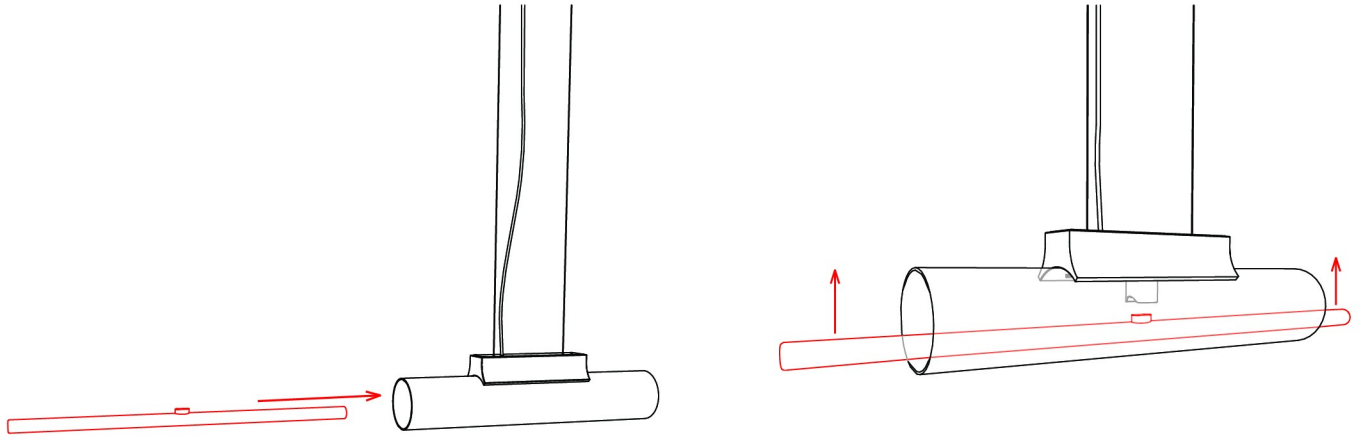
## 6. ASSEMBLING THE LIGHT

With the holes facing upwards, raise the glass shade up to the concrete fixture and use the M4×16 hand screws to secure it in place.



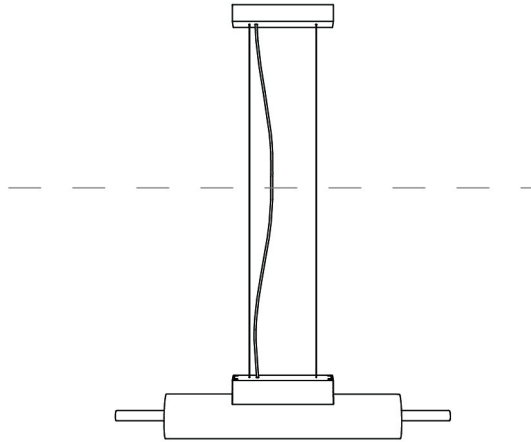
## 7. INSTALLING THE LIGHT SOURCE

Slide the light source into the glass shade. Taking great care not to damage it, press gently and evenly on both ends of the light source to seat it in the socket.



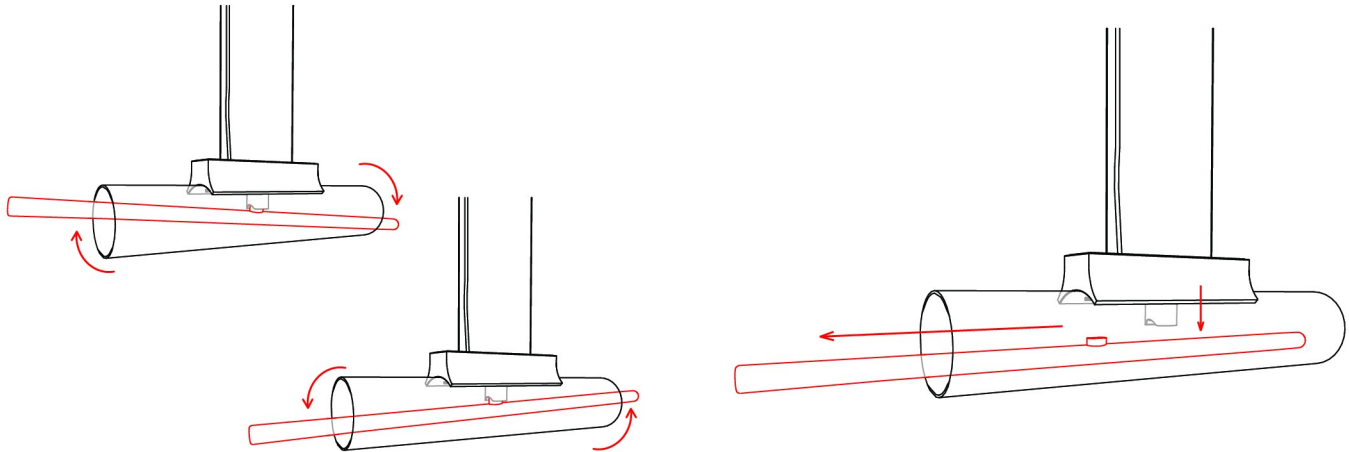
## 8 SWITCHING ON THE LIGHT

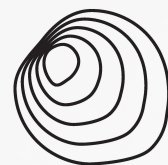
Restore power at the main circuit panel and verify that the light works properly.



## 9 REMOVING THE LIGHT SOURCE

First lift one end of the light source and then the other to free it from the socket. Gently slide the light source out of the glass shade.





BROKIS®



# OVERLAY

CM17053

PENDANT L DOUBLE - PC1306



Download

### COMPONENTS INCLUDED WITH UNIT:

1× light  
2× light source  
1× hex key size 2.5  
2× set screw M5×20  
4× hand screw M4×16  
1× spirit level  
1× pair cotton gloves  
1× installation manual

### WARNING:

**Installation must be carried out by a qualified electrician only.**

**Switch off power at main circuit panel prior to installation!**

**The manufacturer assumes no liability for damage occurring during transport or resulting from incorrect installation.**

**Installation time: 45 minutes / 2 persons**



BROKIS®

BROKIS S.R.O.  
ŠPANIĚLOVA 1315/25  
163 00 PRAHA 6 - ŘEPY  
CZECH REPUBLIC

ORG. ID 64940799  
VAT ID CZ64940799  
C 42174 MĚSTSKÝ SOUD  
V PRAZE

TEL +420 567 211 517  
TECHNICAL@BROKIS.CZ  
INFO@BROKIS.CZ  
WWW.BROKIS.CZ



### CLEANING THE GLASS

**BROKIS upholds only the highest possible quality standards. Prior to shipping, the light undergoes several quality controls and stages of cleaning. Because transportation, storage, and the amount of time that passes between packing at our plant and subsequent unpacking by the client can affect the light in different ways, we strongly recommend cleaning it prior to assembly.**

**The glass must first be rinsed in warm water, and a dish detergent may be used to remove all foreign particles, dust, and grease. Repeat the process if necessary and then dry the glass thoroughly with a paper towel.**

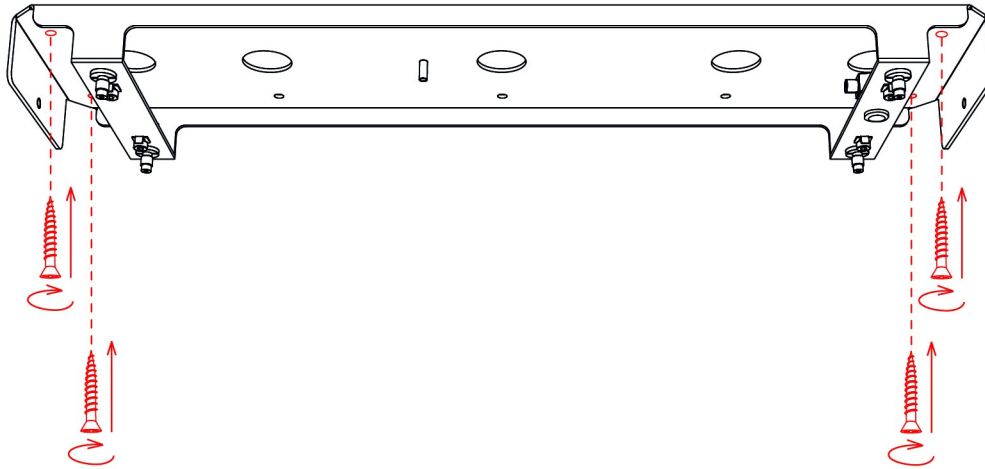
**Recommendation: Do not use mineral spirits, highly concentrated thinners, or other substances not intended for use on glass surfaces. Do not use any cleaning agents containing silicone, as they may leave a film and attract dust and smudges.**

**PRIOR TO SHIPPING, THE FUNCTIONALITY OF EACH LIGHT AND ITS COMPONENTS IS THOROUGHLY TESTED. THE MANUFACTURER ASSUMES NO LIABILITY FOR THE MISHANDLING OF PRODUCTS.**



## 1. INSTALLING THE CEILING BRACKET

Using anchors of sufficient strength (not included), secure the ceiling bracket to the junction box. With regard to various types of ceilings, we recommend consulting installation with an expert. The manufacturer assumes no liability for incorrect installation, use of improper anchors, or defects in the material to which this load-bearing component is secured.

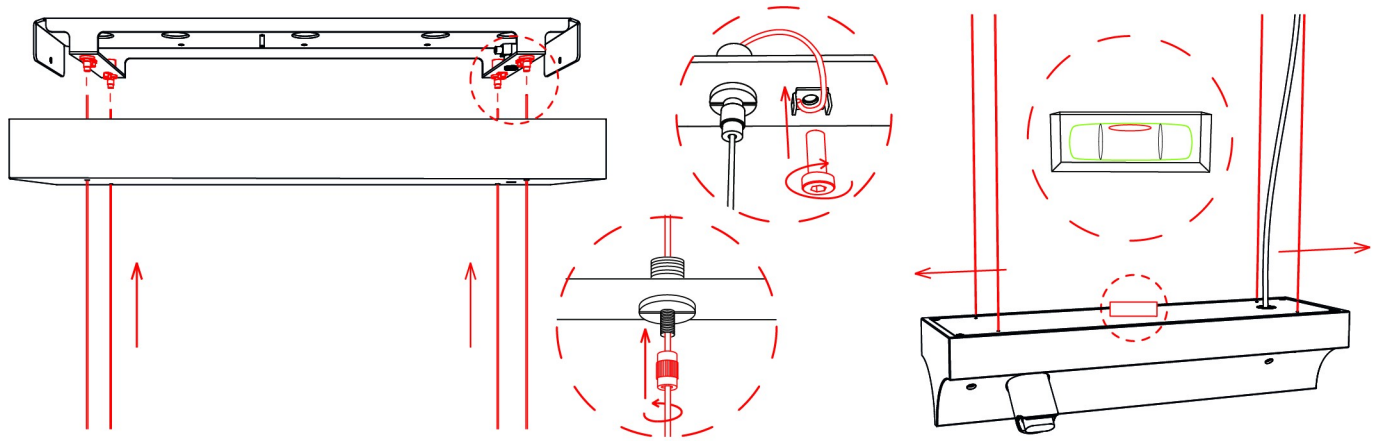




## 2. INSTALLING THE LIGHT 1/2

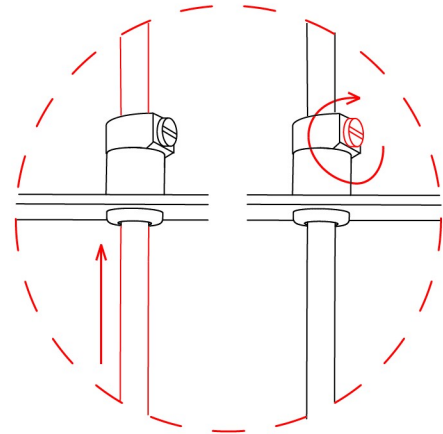
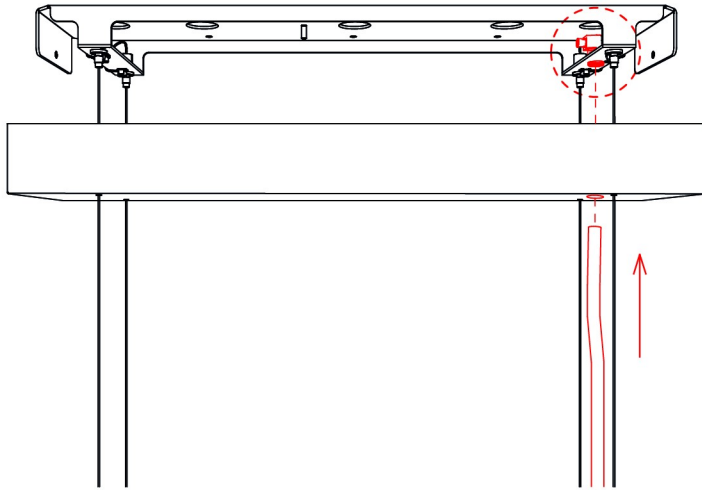
Installation requires the help of an assistant.

Pass the wire ropes through the ceiling canopy. Next, loosen the clamping cylinders on the load-bearing stops in the ceiling bracket and pass the unfrayed wire ropes through them to the required length. Then pass the wire ropes through the second part of the stops and level the light using the provided spirit level. Once the light is level, retighten the clamping cylinders, trim the wire ropes at least 70 mm beyond the stops, and secure the wire ropes beneath the locking screws in the ceiling bracket. Following these steps carefully ensures that the wire ropes, which bear the entire weight of the light, are anchored securely in place.



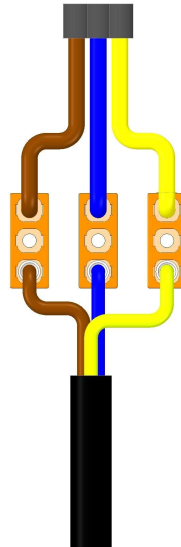
### 3. INSTALLING THE LIGHT 2/2

With the help of an assistant, pass the power cable through the ceiling canopy and insert it in the plastic cable stop in the ceiling bracket. Adjust the length as required and tighten the set screw in the cable stop.



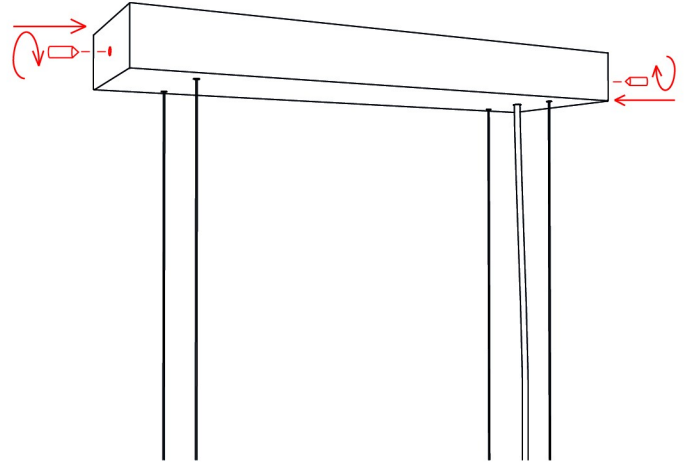
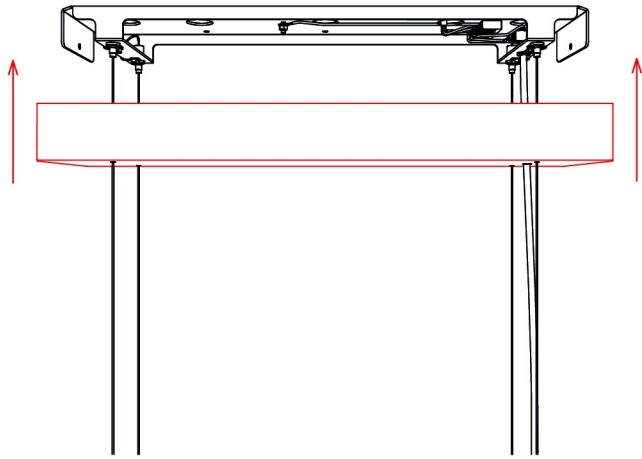
#### 4. CONNECTING THE LIGHT TO THE BUILDING WIRING

Connect the light to the building wiring according to the connection diagram.



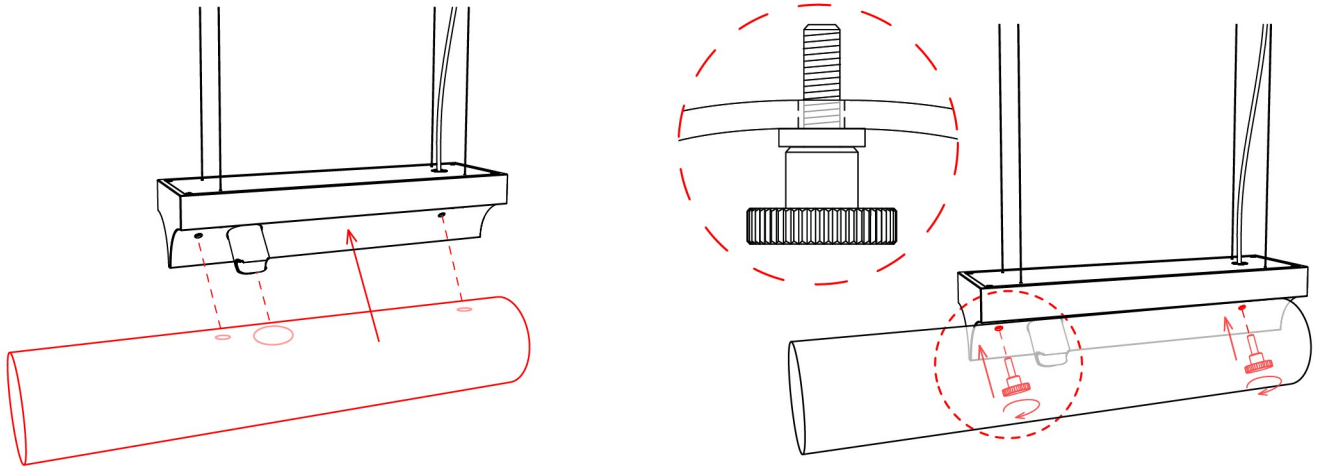
## 5. INSTALLING THE CEILING CANOPY

Using the two set screws M5×20 and the size 2.5 hex key, attach the ceiling canopy to the bracket.



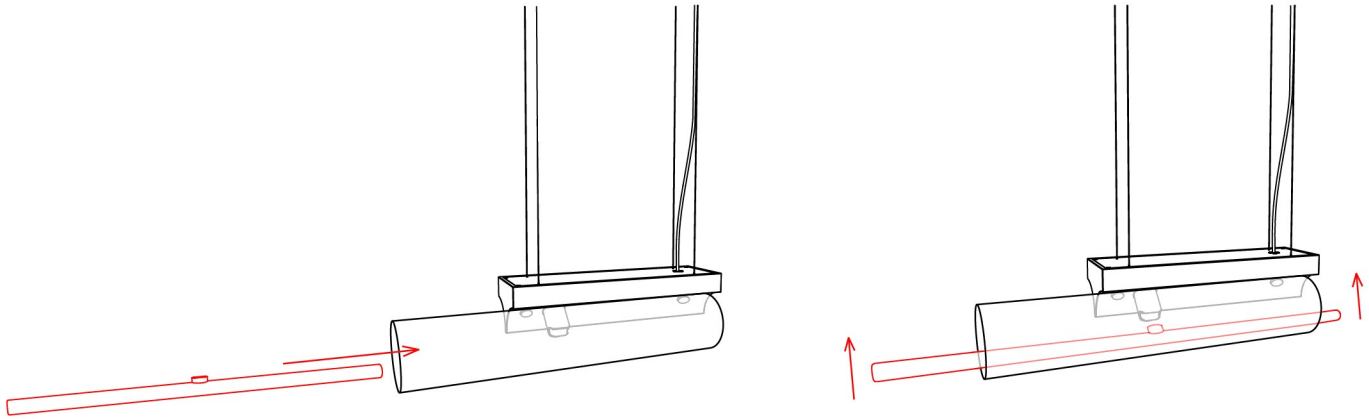
## 6. ASSEMBLING LIGHT 1

With the holes facing upwards, raise the first glass shade up to the concrete fixture and use two M4×16 hand screws to secure it in place.



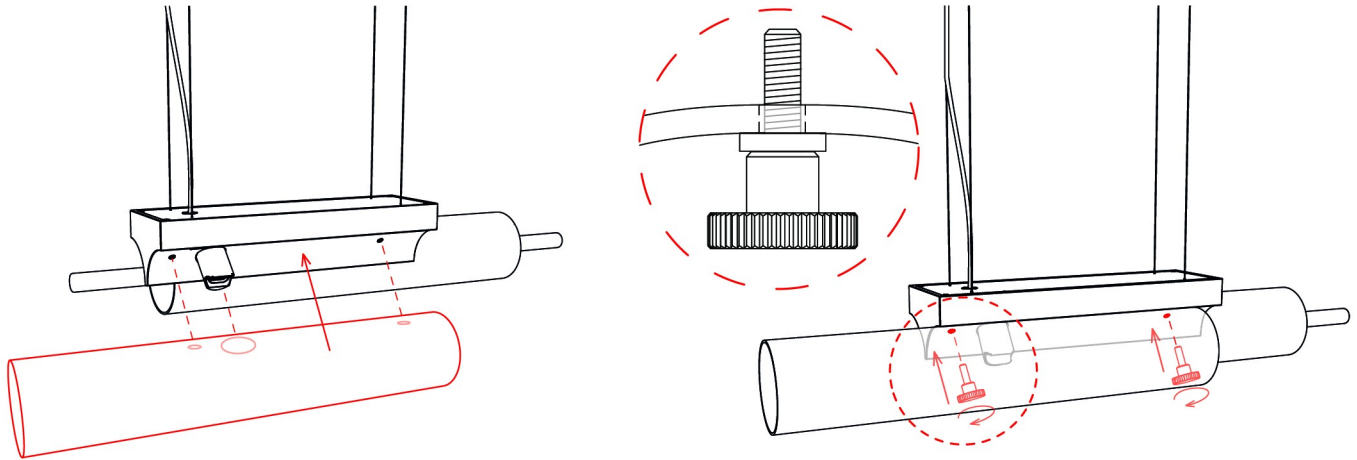
## 7. INSTALLING LIGHT SOURCE 1

Slide the light source into the glass shade. Taking great care not to damage it, press gently and evenly on both ends of the light source to seat it in the socket.



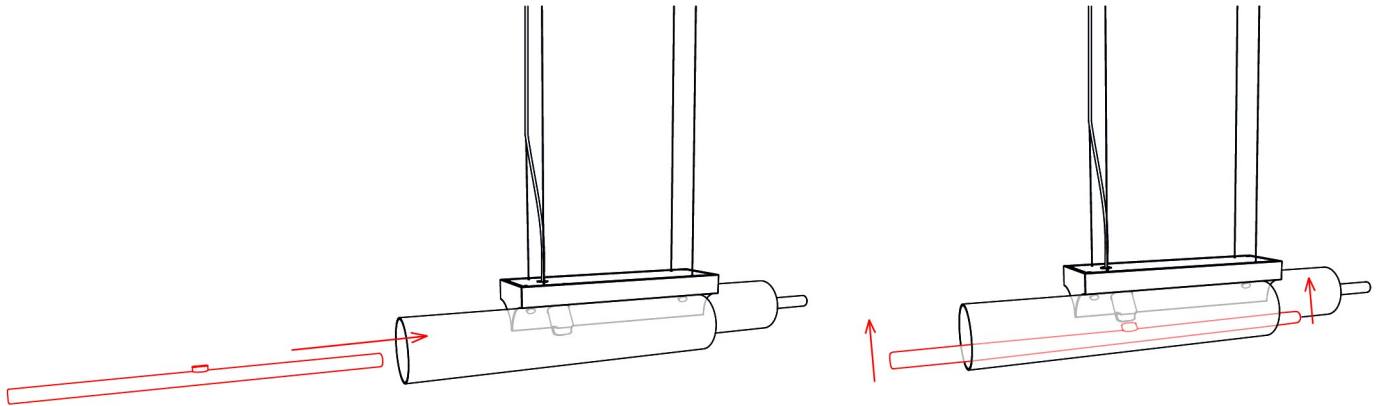
## 8. ASSEMBLING LIGHT 2

With the holes facing upwards, raise the second glass shade up to the other side of the concrete fixture and use two M4×16 hand screws to secure it in place.



## 9. INSTALLING LIGHT SOURCE 2

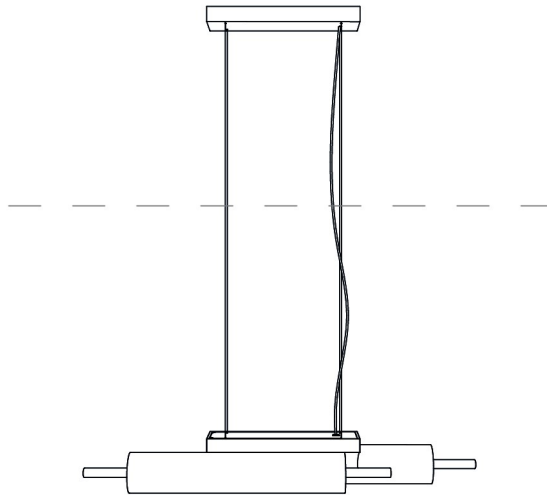
Slide the second light source into the second glass shade. Taking great care not to damage it, press gently and evenly on both ends of the light source to seat it in the socket.





## 10. SWITCHING ON THE LIGHT

Restore power at the main circuit panel and verify that the light works properly.



## 11. REMOVING THE LIGHT SOURCE

First pull one end of the light source from the socket and then the other. Gently slide the light source out of the glass shade.

