

■ F4682030 Satin Black

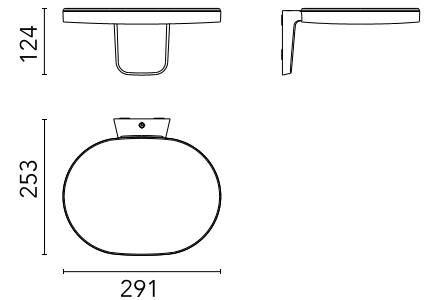
Oplight

Designed by Jasper Morrison, 2021



25W - 2065lm - 2700K - CRI> 90

Indirect light wall lamp. Body in die-cast aluminium with powder coating. Diffuser made of injection-moulded polycarbonate semi-transparent. High efficiency LED source with a lifetime of more than 50.000 hours. The LED source can be easily replaced on site by a professional installer when it comes to the end of its lifecycle. Oplight is a future-proof lamp as no glue is used to assemble its different parts. The product can therefore be separated, replaced individually, and recycled separately.



Are you a professional and your project needs consulting and support?

[BOOK AN APPOINTMENT](#)

Main specifications

EAN	8059607040386
Mounting	Wall
Environments	Indoor dry location
Light Source Type	LED
LED type	LED Module
Power (W)	25
System flux (lm)	2065

Physical

Colour	Satin Black
Length (mm)	253
Net weight (kg)	1.7
Package volume (m3)	0.02
IP internal	20

Download

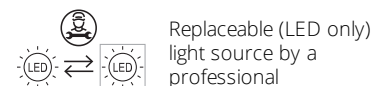
- [Mounting instructions](#) PDF
- [Compatible dimmers](#) PDF
- [Spare Parts](#) PDF

Photometric Files

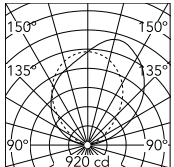
- [LDT / IES](#) LDT



Ecodesign and Energy Labelling



Schematic light drawing



Beam Angle: 100°

h(m)	E(lx)	D(m)
1	848	2.50
2	212	5.00
3	94	7.50
4	53	10.00
5	34	12.49

Luminous flux Luminaire
2066 lm

Photometric

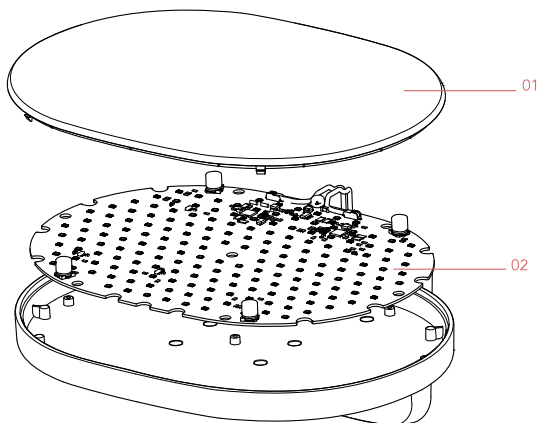
Lighting type	Indirect
Light distribution	Symmetric
CCT (K)	2700
CRI>	90


Electrical

Insulation class	I
Frequency (Hz)	50/60
Main voltage (Vac)	220-240
Driver	Integrated
Dimmable	Yes
Dimming type	Mains Cut Dimming
Dimming interface	Remote Dimmable (Dimmer Not Included)

Spare Parts

DOWNLOAD



 F4681030 Satin Black

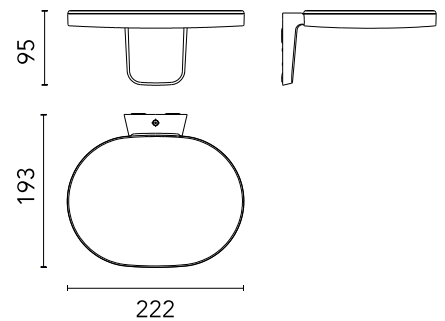
Oplight

Designed by Jasper Morrison, 2021



16W - 1325lm - 2700K - CRI> 90

Indirect light wall lamp. Body in die-cast aluminium with powder coating. Diffusor made of injection-moulded polycarbonate semi-transparent. High efficiency LED source with a lifetime of more than 50.000 hours. The LED source can be easily replaced on site by a professional installer when it comes to the end of its lifecycle. Oplight is a future-proof lamp as no glue is used to assemble its different parts. The product can therefore be separated, replaced individually, and recycled separately.



Are you a professional and your project needs consulting and support?

[BOOK AN APPOINTMENT](#)




Main specifications

EAN	8059607040379
Mounting	Wall
Environments	Indoor dry location
Light Source Type	LED
LED type	LED Module
Power (W)	16
System flux (lm)	1325

Physical

Colour	Satin Black
Length (mm)	193
Net weight (kg)	0.9
Package volume (m3)	0.01
IP internal	20

Download

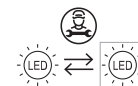
- [Mounting instructions](#)  PDF
- [Compatible dimmers](#)  PDF
- [Spare Parts](#)  PDF

Photometric Files

- [LDT / IES](#)  LDT

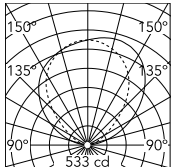


Ecodesign and Energy Labelling



Replaceable (LED only) light source by a professional

Schematic light drawing



Beam Angle: 111°

h(m)	E(lx)	D(m)
1	516	2.92
2	129	5.85
3	57	8.77
4	32	11.70
5	21	14.62

Luminous flux Luminaire
1325 lm

Photometric

Lighting type	Indirect
Light distribution	Symmetric
CCT (K)	2700
CRI>	90

Electrical

Insulation class	I
Frequency (Hz)	50/60
Main voltage (Vac)	220-240
Driver	Integrated
Dimmable	Yes
Dimming type	Mains Cut Dimming
Dimming interface	Remote Dimmable (Dimmer Not Included)

Spare Parts

DOWNLOAD

