



BROKIS®



# OVERLAY

CM16189

WALL M - PC1300



Download

### COMPONENTS INCLUDED WITH UNIT:

- 1× light
- 1× light source
- 2× hand screw M4×16
- 1× template
- 2× threaded L hook
- 2× wall plug
- 1× pair cotton gloves
- 1× installation manual

### WARNING:

**Installation must be carried out by a qualified electrician only.**

**Switch off power at main circuit panel prior to installation!**

**The manufacturer assumes no liability for damage occurring in transport or resulting from incorrect installation.**

**Installation time: 30 minutes / 2 persons**



BROKIS®

BROKIS S.R.O.  
ŠPANILOVA 1315/25  
163 00 PRAHA 6 - ŘEPY  
CZECH REPUBLIC

ORG. ID 64940799  
VAT ID CZ64940799  
C 42174 MĚSTSKÝ SOUD  
V PRAZE

TEL +420 567 211 517  
TECHNICAL@BROKIS.CZ  
INFO@BROKIS.CZ  
WWW.BROKIS.CZ



### CLEANING THE GLASS

**BROKIS upholds only the highest possible quality standards. Prior to shipping, the light undergoes several quality controls and stages of cleaning. Because transportation, storage, and the amount of time that passes between packing at our plant and subsequent unpacking by the client can affect the light in different ways, we strongly recommend cleaning it prior to assembly.**

**The glass must first be rinsed in warm water, and a dish detergent may be used to remove all foreign particles, dust, and grease. Repeat the process if necessary and then dry the glass thoroughly with a paper towel.**

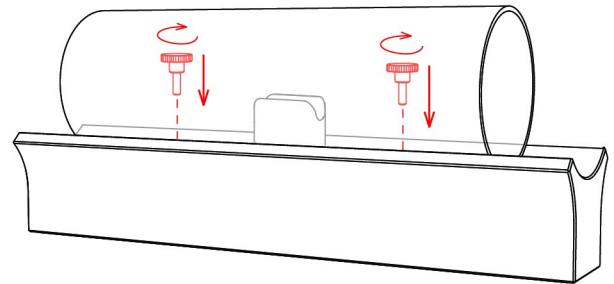
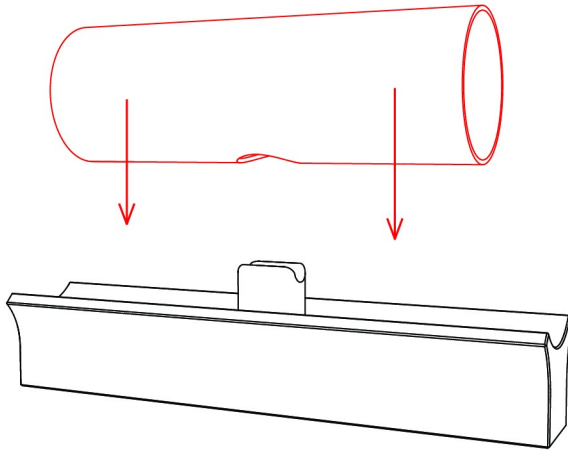
**Recommendation: Do not use mineral spirits, highly concentrated thinners, or other substances not intended for use on glass surfaces. Do not use any cleaning agents containing silicone, as they may leave a film and attract dust and smudges.**

**PRIOR TO SHIPPING, THE FUNCTIONALITY OF EACH LIGHT AND ITS COMPONENTS IS CHECKED THOROUGHLY. THE MANUFACTURER ASSUMES NO LIABILITY FOR THE MISHANDLING OF PRODUCTS.**



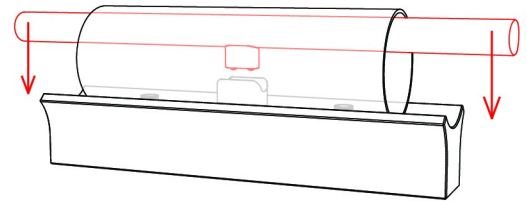
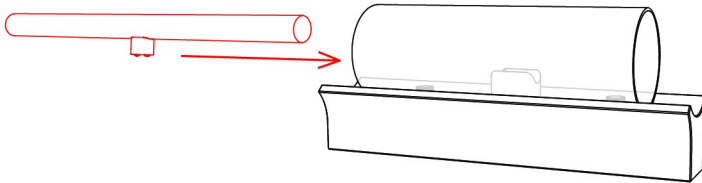
## 1. INSTALLING THE GLASS SHADE

Position the glass shade on the concrete base with the holes facing down and use the supplied M4×16 handscrews screws to secure it in place.



## 2. INSTALLING THE LIGHT SOURCE

Slide the light source into the glass shade and position it over the socket. Press gently and evenly on the light source to seat it in the socket.

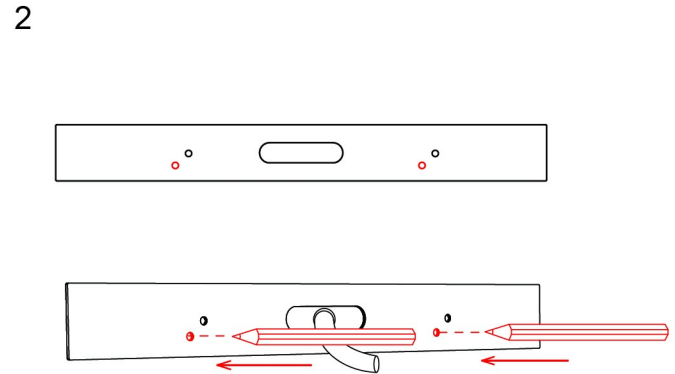
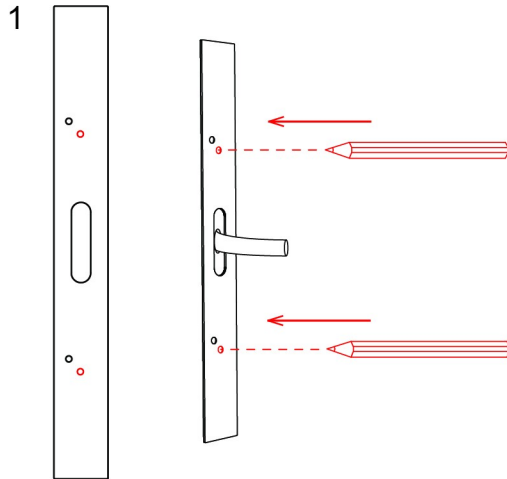


### 3. MARKING DRILL POINTS

Place the paper template on the wall in the desired position:

- 1 - vertical
- 2 - horizontal

Using a pencil, mark the two drill points on the wall depending on the position of the light.



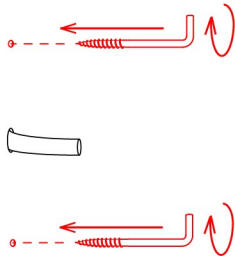
#### 4. INSTALLING THE ANCHORS

With regard to various types of walls and materials, we recommend consulting installation with an expert. The manufacturer assumes no liability for incorrect installation or defects in the material in which the anchors are installed.

Once the holes have been drilled, insert wall plugs and then screw the L hooks into them.

- 1 - vertical
- 2 - horizontal

1

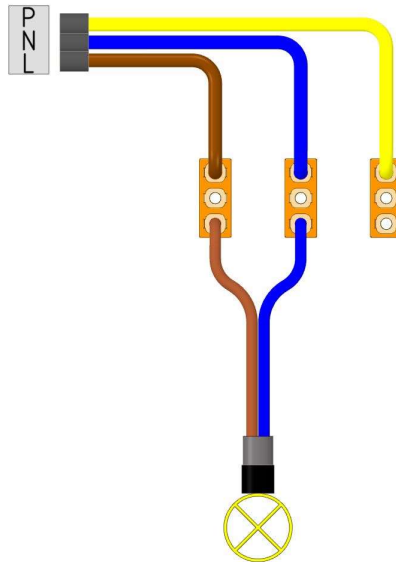


2



## 5. CONNECTING THE LIGHT TO THE BUILDING WIRING

With an assistant holding the light, connect it to the building wiring according to the diagram.

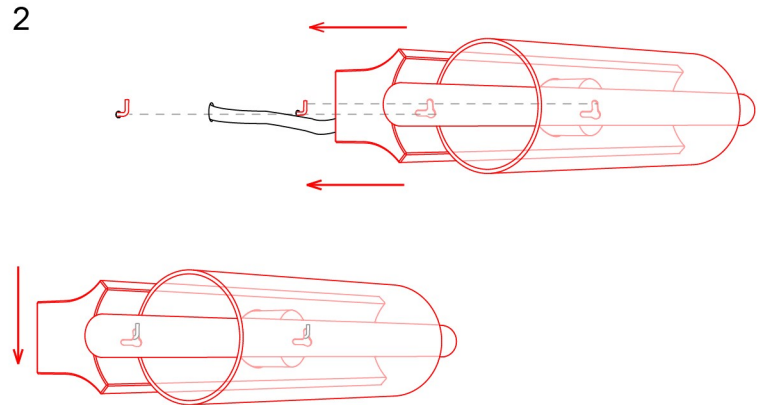
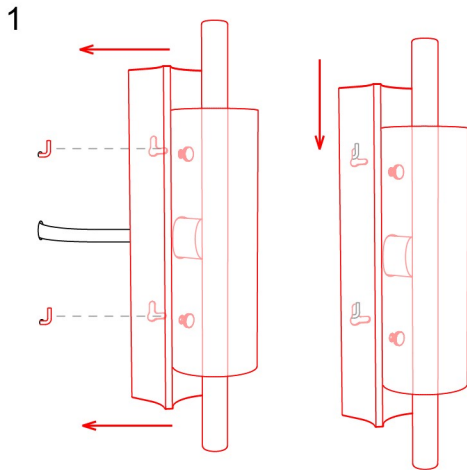




## 6. INSTALLING THE LIGHT

Position the light on the L hooks in the wall and then pull it gently downwards to secure it in place.

- 1 - vertical
- 2 - horizontal



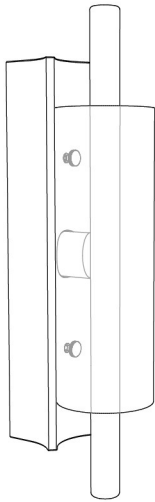
## 7. SWITCHING ON THE LIGHT

Restore power at the main circuit panel and verify that the light works properly.

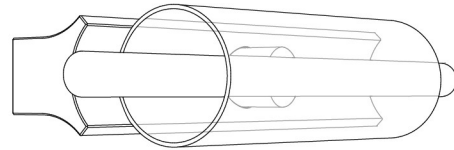
1 - vertical

2 - horizontal

1



2



## 8 REMOVING THE LIGHT SOURCE

First lift one end of the light source and then the other to free it from the socket. Gently slide the light source out of the glass shade.

