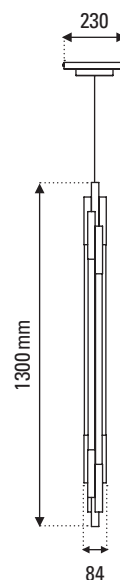


ORG pv 1300

de Sebastian Summa



FICHE TECHNIQUE

TECHNICAL SHEET



SUSPENSION

PENDANT LAMP

Matériaux Aluminium, verre, acrylique
Materials Aluminum, glass, acrylic

Poids net 4 Kg
Net weight

Emballage 1170 x 335 x 195 mm
Packaging

IP 20
IP

Tension 220/240V
Voltage

Classe 1
Class

Watt 17W
Watt

Source INTEGRATED LED 2700K
Source

Lumens 1700 lm (valeur nominale)
Lumens output 1700 lm (nominal value)

Driver Driver fourni (142 x 50 x 24 mm)
Driver Dimmable TRIAC 500 mA / 30-60V / 30W
TRIAC dimmable 500 mA / 30-60V / 30W

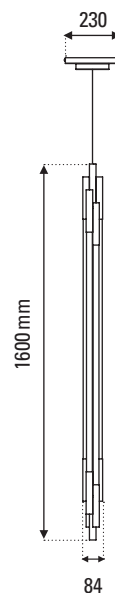
Câble Longueur : 3 m
Wire Length : 3 m

Interrupteur NA
Switch

Fiches NA
Plug

ORG pv 1600

de Sebastian Summa



FICHE TECHNIQUE TECHNICAL SHEET



SUSPENSION

PENDANT LAMP

Matériaux Aluminium, verre, acrylique
Materials Aluminum, glass, acrylic

Poids net 5 Kg
Net weight

Emballage 1470 x 335 x 195 mm
Packaging

IP 20
IP

Tension 220/240V
Voltage

Classe 1
Class

Watt 22W
Watt

Source INTEGRATED LED 2700K
Source

Lumens 2200 lm (valeur nominale)
Lumens output 2200 lm (nominal value)

Driver Driver fourni (142 x 50 x 24 mm)
Dimmable TRIAC 500 mA / 30-60V / 30W
Driver Driver supplied (142 x 50 x 24 mm)
TRIAC dimmable 500 mA / 30-60V / 30W

Câble Longueur : 3 m
Wire Length : 3 m

Interrupteur NA
Switch

Fiches NA
Plug

ORG pv 2000

de Sebastian Summa



FICHE TECHNIQUE TECHNICAL SHEET



SUSPENSION

PENDANT LAMP

Matériaux Aluminium, verre, acrylique
Materials Aluminum, glass, acrylic

Poids net 6 Kg
Net weight

Emballage 2040 x 335 x 160 mm
Packaging

IP 20
IP

Tension 220/240V
Voltage

Classe 1
Class

Watt 27W
Watt

Source INTEGRATED LED 2700K
Source

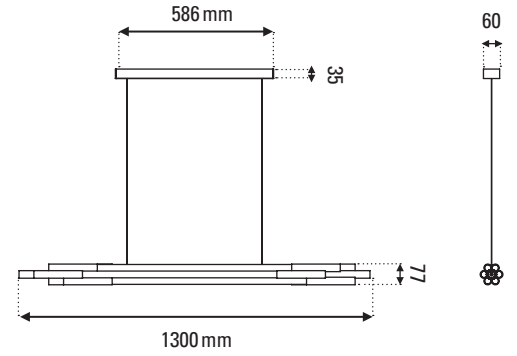
Lumens 2700 lm (valeur nominale)
Lumens output 2700 lm (nominal value)

Driver Driver fourni (166 x 52 x 24 mm)
Driver Dimmable TRIAC 700mA / 28-56V / 40W
Driver supplied (166 x 52 x 24 mm)
TRIAC dimmable 700mA / 28-56V / 40W

Câble Longueur : 3 m
Wire Length : 3 m

Interrupteur NA
Switch

Fiches NA
Plug



ORG ph 1300

de Sebastian Summa

FICHE TECHNIQUE TECHNICAL SHEET

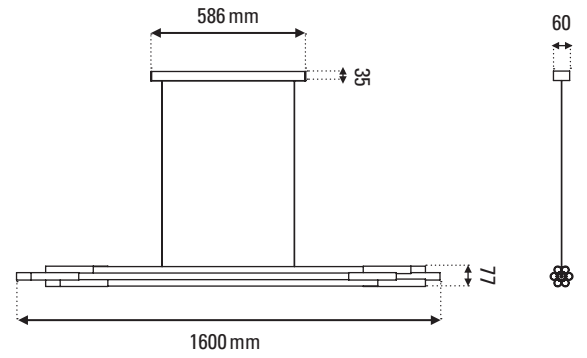


SUSPENSION

PENDANT LAMP

Matériaux Materials	Aluminium, verre, acrylique Aluminum, glass, acrylic
Poids net Net weight	4 Kg
Emballage Packaging	1160 x 235 x 240 mm
IP IP	20

Tension Voltage	220/240V
Classe Class	1
Watt Watt	17W
Source Source	INTEGRATED LED 2700K
Lumens Lumens output	1700 lm (valeur nominale) 1700 lm (nominal value)
Driver Driver	Driver fourni (142 x 50 x 24 mm) Dimmable TRIAC 500 mA / 30-60V / 30W Driver supplied (142 x 50 x 24 mm) TRIAC dimmable 500 mA / 30-60V / 30W
Câble Wire	Longueur : 3 m Length : 3 m
Interrupteur Switch	NA
Fiches Plug	NA



ORG ph 1600

de Sebastian Summa

FICHE TECHNIQUE TECHNICAL SHEET

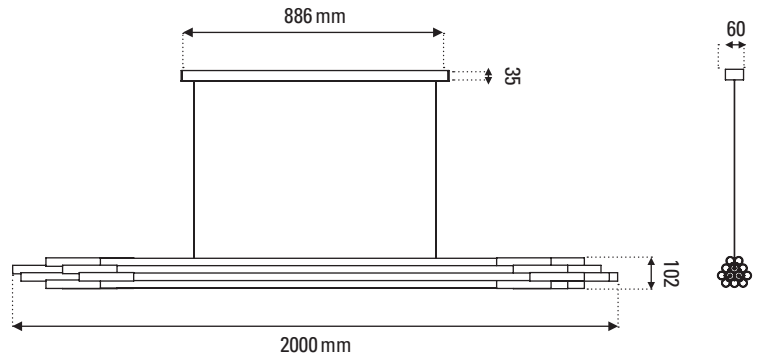


SUSPENSION

PENDANT LAMP

Matériaux Materials	Aluminium, verre, acrylique Aluminum, glass, acrylic
Poids net Net weight	5 Kg
Emballage Packaging	1460 x 235 x 240 mm
IP IP	20

Tension Voltage	220/240V
Classe Class	1
Watt Watt	22W
Source Source	INTEGRATED LED 2700K
Lumens Lumens output	2200 lm (valeur nominale) 2200 lm (nominal value)
Driver Driver	Driver fourni (142 x 50 x 24 mm) Dimmable TRIAC 500 mA / 30-60V / 30W Driver supplied (142 x 50 x 24 mm) TRIAC dimmable 500 mA / 30-60V / 30W
Câble Wire	Longueur : 3 m Length : 3 m
Interrupteur Switch	NA
Fiches Plug	NA



ORG ph 2000

de Sebastian Summa

FICHE TECHNIQUE TECHNICAL SHEET



SUSPENSION

PENDANT LAMP

Matériaux Materials	Aluminium, verre, acrylique Aluminum, glass, acrylic
Poids net Net weight	6 Kg
Emballage Packaging	1760 x 235 x 295 mm
IP IP	20

Tension Voltage	220/240V
Classe Class	1
Watt Watt	27W
Source Source	INTEGRATED LED 2700K
Lumens Lumens output	2700lm (valeur nominale) 2700lm (nominal value)
Driver Driver	Driver fourni (166x52x24mm) Dimmable TRIAC 700mA / 28-56V / 40W Driver supplied (166x52x24mm) TRIAC dimmable 700mA / 28-56V / 40W
Câble Wire	Longueur : 3 m Length : 3m
Interrupteur Switch	NA
Fiches Plug	NA