

BROKIS®

CM15011

# ORBIS

500 - PC1291



Download

### COMPONENTS INCLUDED WITH UNIT:

- 1× light
- 1× ceiling canopy
- 1× cable stop
- 1× power cable
- 1× fixture cover
- 3× brass ball
- 1× hex key size 1.5
- 1× hex key size 2.5
- 3× set screw M5×16
- 3× installation hook
- 1× spirit level
- 1× pair cotton gloves
- 1× installation manual

### WARNING:

**Installation must be carried out by a qualified electrician only.**

**Switch off power at main circuit panel prior to installation!**

**The manufacturer assumes no liability for damage occurring in transport or resulting from incorrect installation.**

**Installation time: 30 minutes / 2 persons**



BROKIS®

BROKIS S.R.O.  
ŠPANIĚLOVA 1315/25  
163 00 PRAHA 6 - ŘEPY  
CZECH REPUBLIC

ORG. ID 64940799  
VAT ID CZ64940799  
C 42174 MĚSTSKÝ SOUD  
V PRAZE

TEL +420 567 211 517  
TECHNICAL@BROKIS.CZ  
INFO@BROKIS.CZ  
WWW.BROKIS.CZ



### CLEANING THE GLASS

**BROKIS upholds only the highest possible quality standards. Prior to shipping, the light undergoes several quality controls and stages of cleaning. Because transportation, storage, and the amount of time that passes between packing at our plant and subsequent unpacking by the client can affect the light in different ways, we strongly recommend cleaning it prior to assembly.**

**The glass must first be rinsed in warm water, and a dish detergent may be used to remove all foreign particles, dust, and grease. Repeat the process if necessary and then dry the glass thoroughly with a paper towel.**

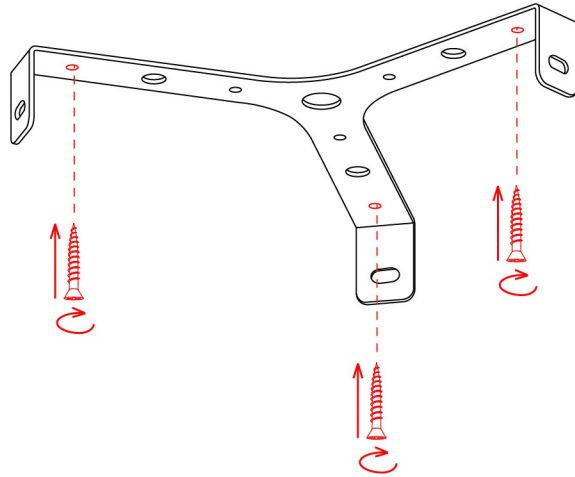
**Recommendation: Do not use mineral spirits, highly concentrated thinners, or other substances not intended for use on glass surfaces. Do not use any cleaning agents containing silicone, as they may leave a film and attract dust and smudges.**

**PRIOR TO SHIPPING, THE FUNCTIONALITY OF EACH LIGHT AND ITS COMPONENTS IS CHECKED THOROUGHLY. THE MANUFACTURER ASSUMES NO LIABILITY FOR THE MISHANDLING OF PRODUCTS.**



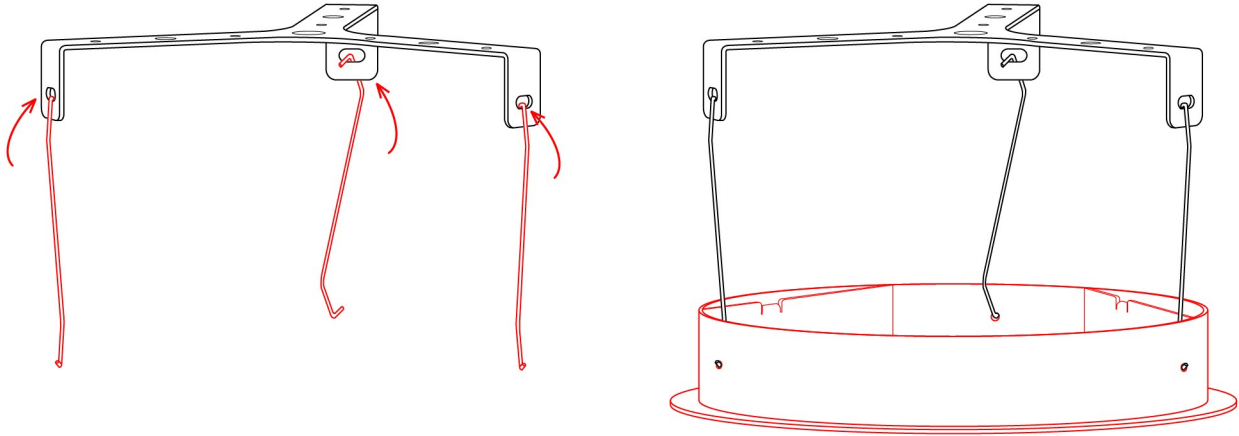
## 1. INSTALLING THE CEILING BRACKET

Using anchors of sufficient strength (not included), secure the bracket to the ceiling. With regard to various types of ceilings, we recommend consulting installation with an expert. The manufacturer assumes no liability for incorrect installation, the use of improper anchors, or defects in the material to which the bracket is secured.



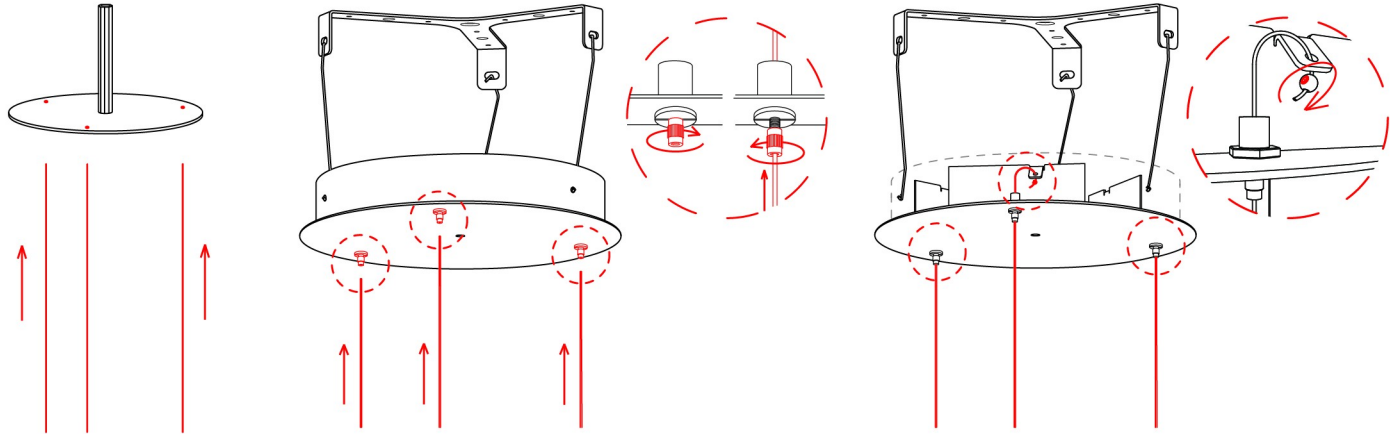
## 2. HANGING THE CEILING CANOPY

Using the three installation hooks, hang the ceiling canopy from the bracket.



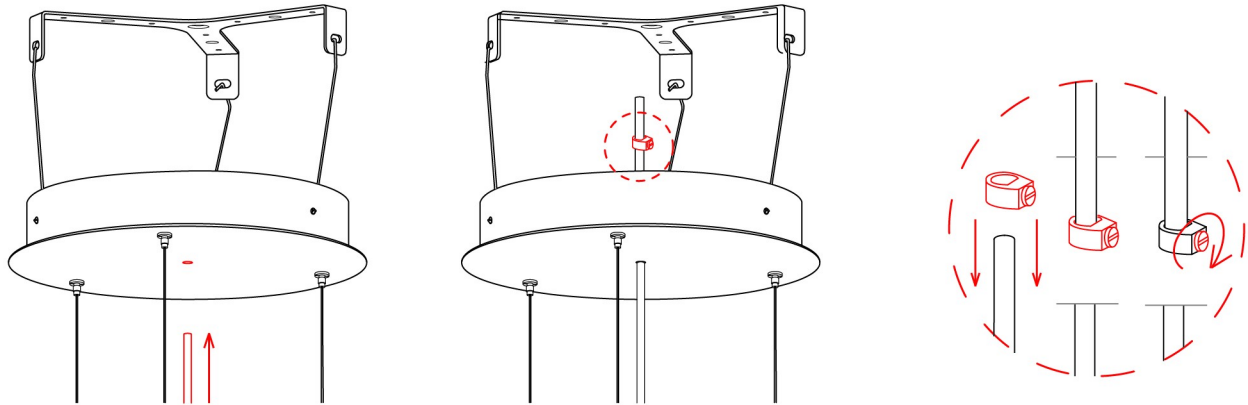
### 3. INSTALLING THE LIGHT 1/2

First, pass the wire ropes through the holes in the fixture cover. Next, loosen the cylinders on wire rope stops in the ceiling canopy and pass the wire ropes through them to the required length (ensure the ends of the wire ropes are not frayed). Pass the wire ropes through the second part of the cylinders. Finally, pass the wire ropes through the locking tabs in the ceiling canopy and attach the brass balls to them using the 1.5 hex key. Adhering to these steps ensures safe anchoring of the wire ropes.



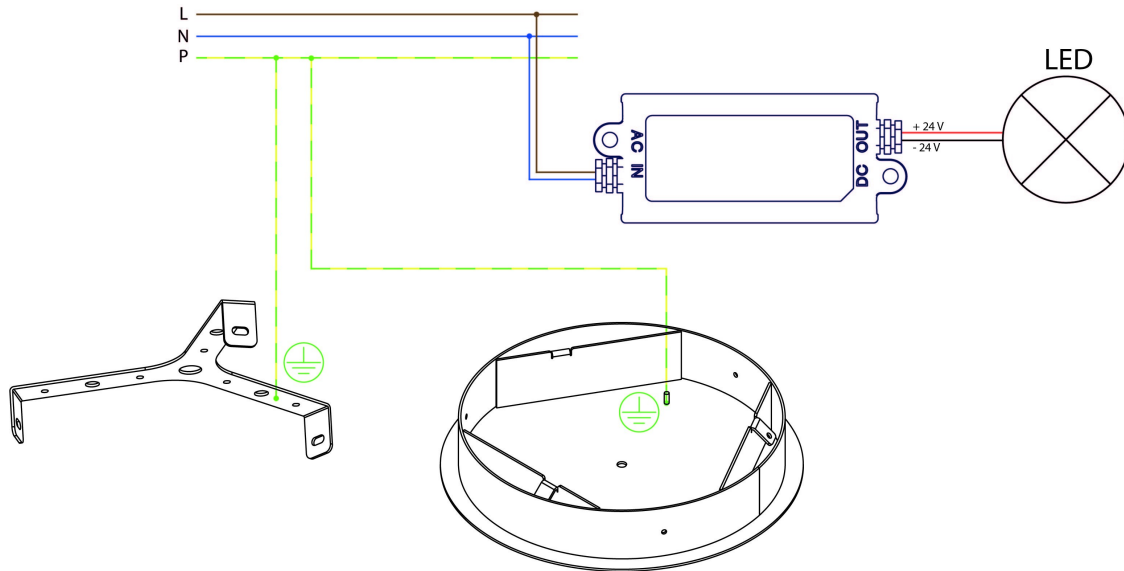
#### 4. INSTALLING THE LIGHT 2/2

Pass the power cable through the centre hole in the ceiling canopy and then through the plastic cable stop.  
Adjust the length of the cable as required and then secure it in place by tightening the screw in the plastic cable stop.



## 5. CONNECTING THE LIGHT TO THE BUILDING WIRING

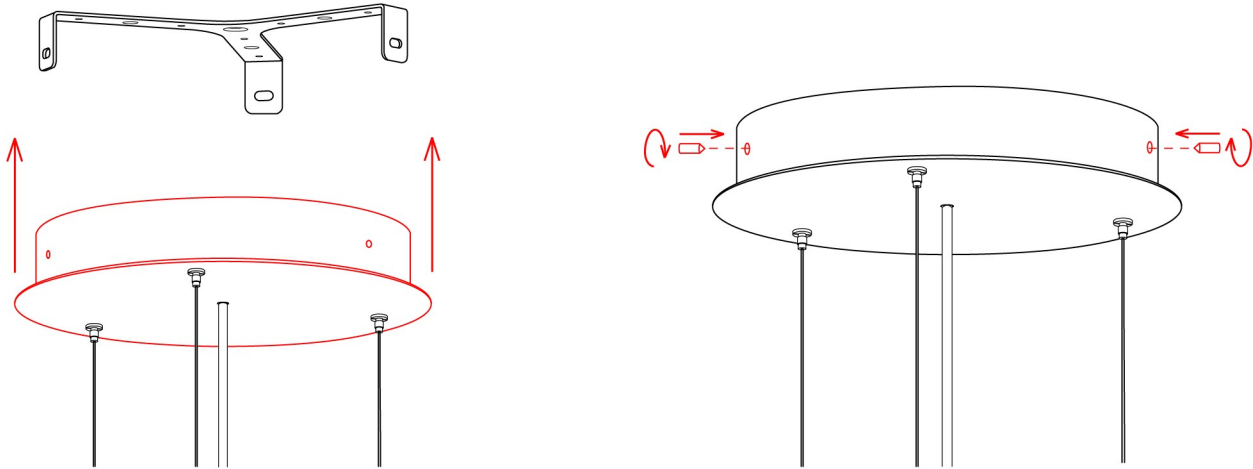
Connect the light to the building wiring according to the connection diagram.  
See provided documentation when using other electronics.





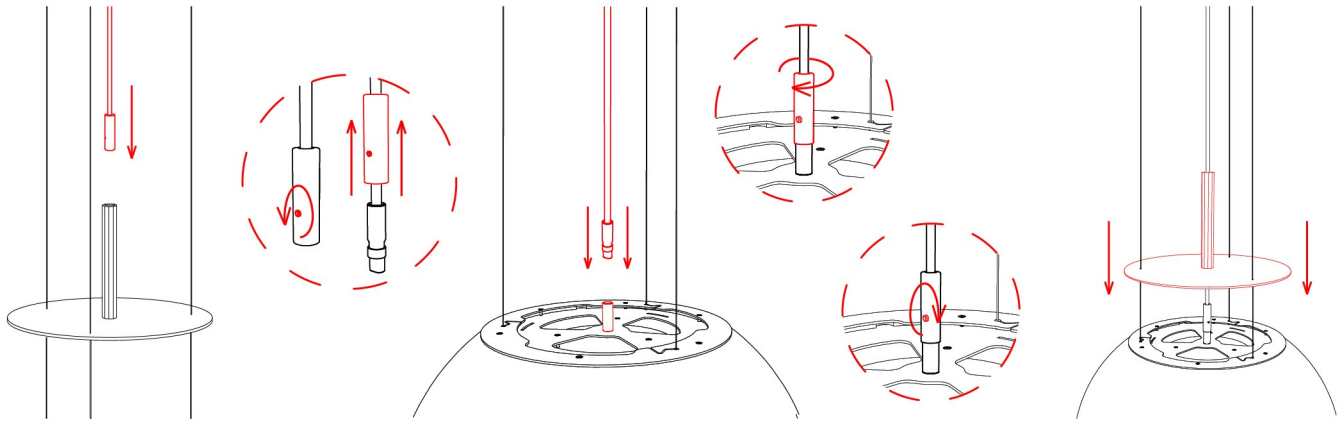
## 6. INSTALLING THE CEILING CANOPY

Using the three set screws (M5×16) and the size 2.5 hex key, attach the ceiling canopy to the bracket.



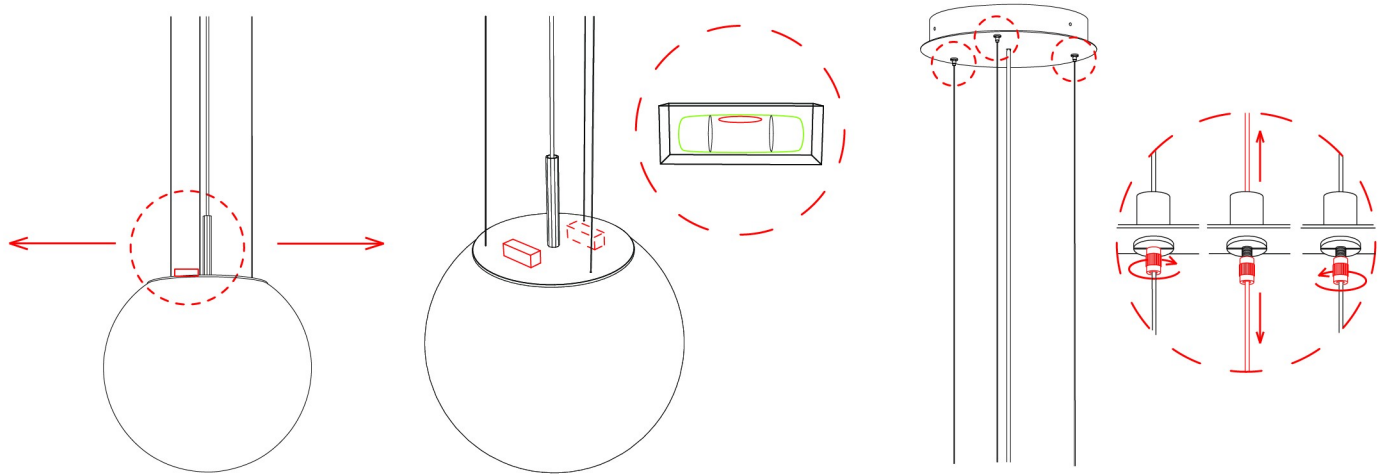
## 7. ASSEMBLING THE LIGHT

Pass the power cable through the fixture cover and loosen the M3 set screw with the size 1.5 hex key. Join the two halves of the connector and turn the sleeve to lock in place. Next, retighten the set screw. Position the fixture cover on the light.



## 8. LEVELLING THE LIGHT

Place the provided spirit level on top of the fixture cover to check the light for level. Make minor adjustments to the length of one of the wire ropes by loosening the cylinder on the wire rope stop in the ceiling canopy. In order to pull the wire rope downwards, press and hold the loosened cylinder until the required adjustment has been made. Once the light is level, retighten the cylinder on the wire rope stop. If necessary, repeat this process for the remaining wire ropes.



## 9. SWITCHING ON THE LIGHT

Restore power at the main circuit panel and verify that the light works properly.

