

MICHAELANASTASSIADES

INSTALLATION INSTRUCTIONS



TA-KE 1, TA-KE 2, TA-KE 3, 2022

PRODUCT SPECIFICATIONS

Input voltage: 120V / 240V
Maximum wattage: ta-ke 1 20W
ta-ke 2 20W
ta-ke 3 32W

Provided with 2500mm cord set and dimmer switch. Casambi option available.

Product weight: ta-ke 1 6kg
ta-ke 2 7kg
ta-ke 3 8kg

BEFORE INSTALLING

Please keep these instructions for future reference.

Please read instructions in full, noting illustrations, prior to installation and follow exactly.

The fitting is for use in a normal dry domestic indoor environment.

If you are in any doubt, consult a qualified electrician to install the fitting.

Ensure the circuit, to which the fitting is to be connected, has been installed and fused in accordance to national installation requirements.

Ensure that only the correct types of bulbs are fitted.

Modifying any part of the light will void the products warranty.

Michael Anastassiades accepts no liability for incorrect use of the mentioned object.

CLEANING INSTRUCTIONS

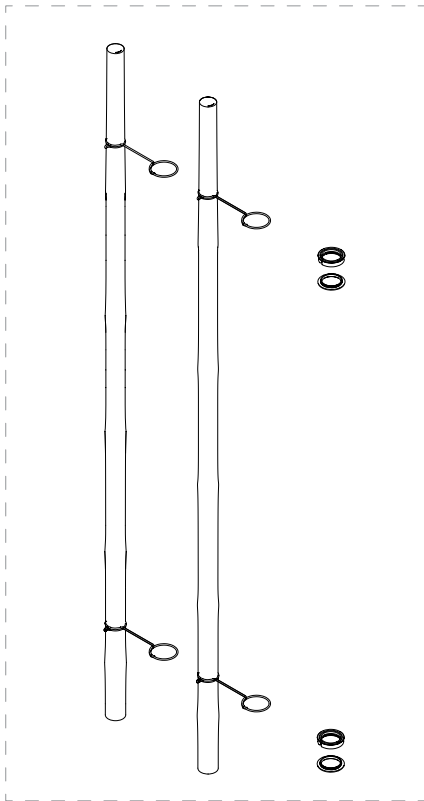
Before cleaning, lighting fixtures must be turned off and unplugged from mains electricity. Whilst cleaning please take care and use the gloves provided.

Bamboo: Use lightly damp soft dust cloth and gently go over marks until clean. Dry it afterwards with a soft dust cloth. Make sure the product is completely dry before turning on.

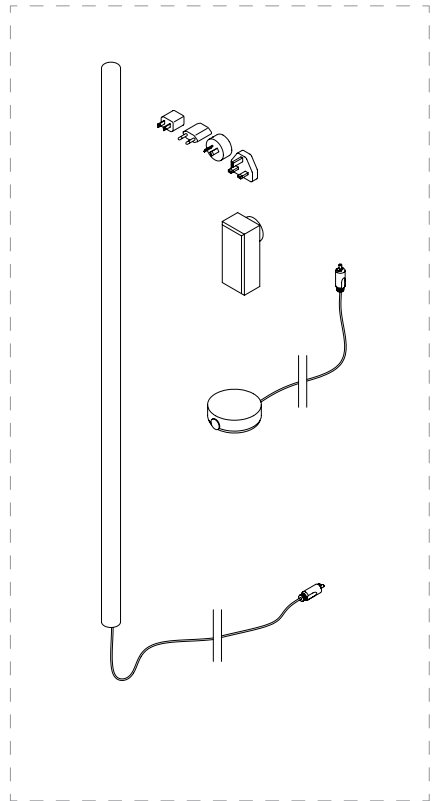
Black Powder Coated: Use a lightly damp soft dust cloth and gently go over marks until clean. Dry it afterwards with a soft dust cloth.

Opaline Glass Tube: Remove the opaline glass tube from the product. Using a lightly damp cloth, clean only the outside of the tube and dry it with a dry soft dust cloth. Only put the glass bulb back on the product once it is fully dry.

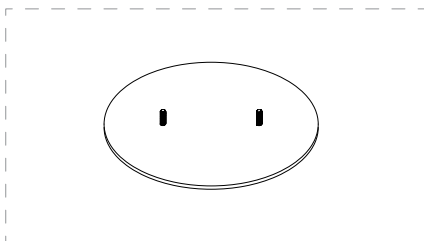
Parts Supplied: ta-ke 1



Box 1: Bamboo Poles

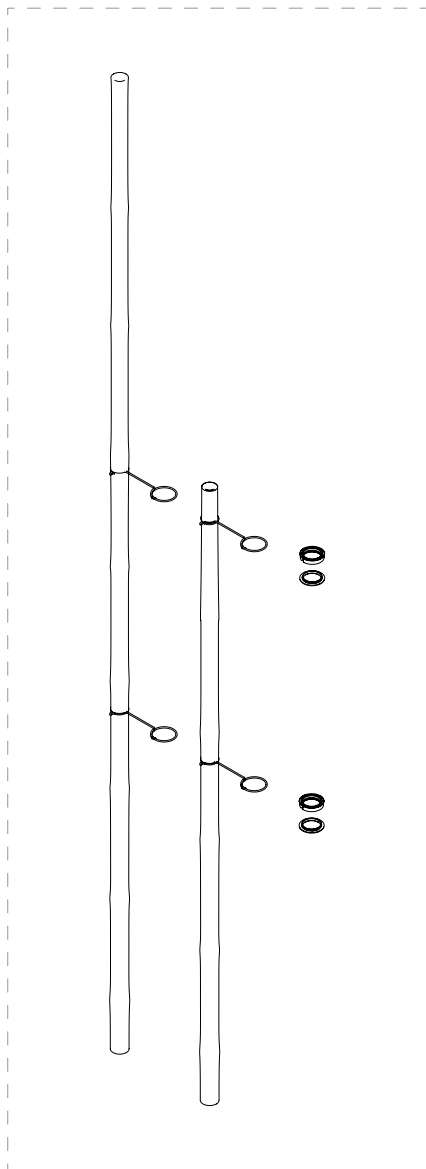


Box 2: Light Components

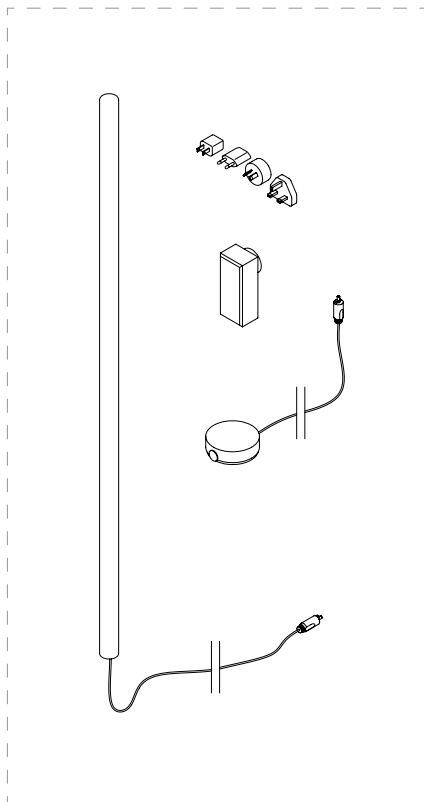


Box 3: Base

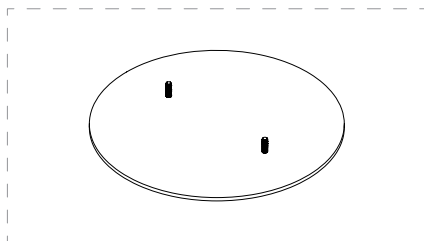
Parts Supplied: ta-ke 2



Box 1: Bamboo Poles

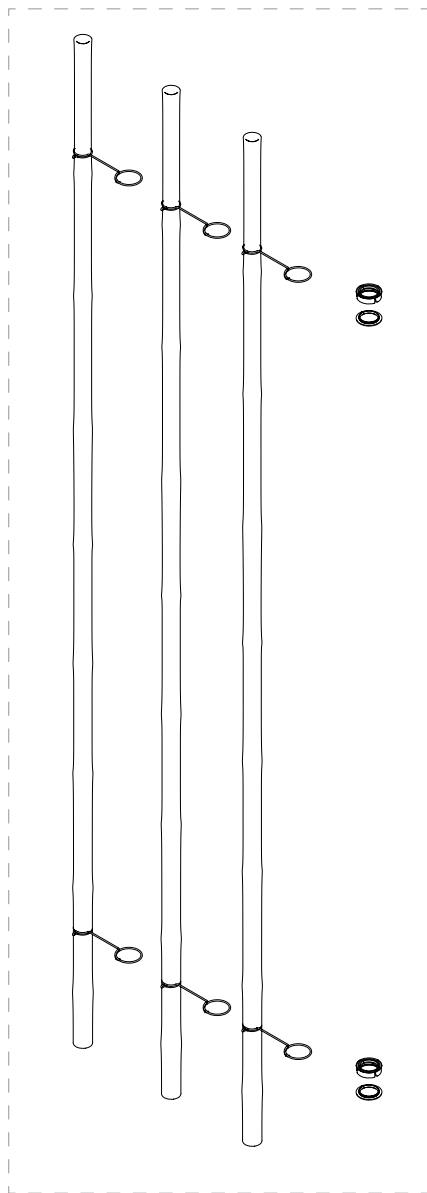


Box 2: Light Components

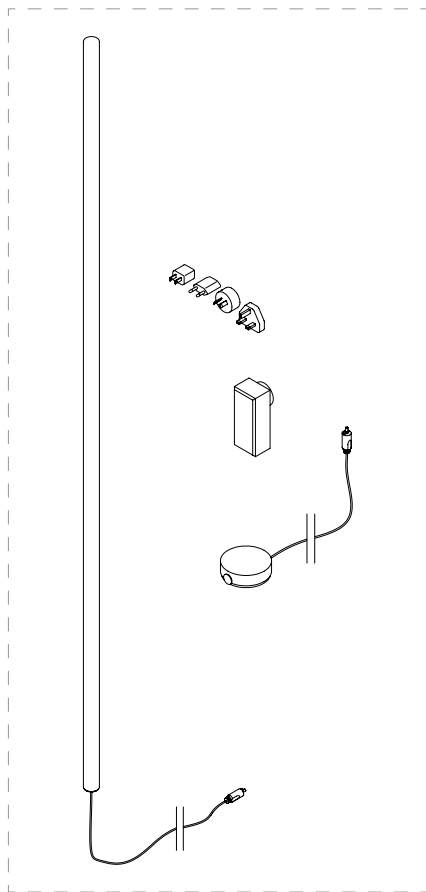


Box 3: Base

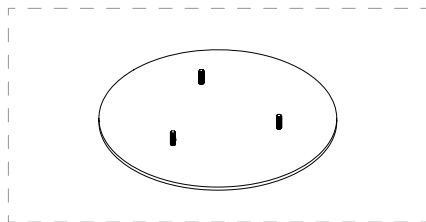
Parts Supplied: ta-ke 3



Box 1: Bamboo Poles



Box 2: Light Components



Box 3: Base

Fig. 1

Screw bamboo poles onto base. If necessary, adjust orientation to improve vertical alignment. Please note, bamboo is a natural material and not perfectly straight.

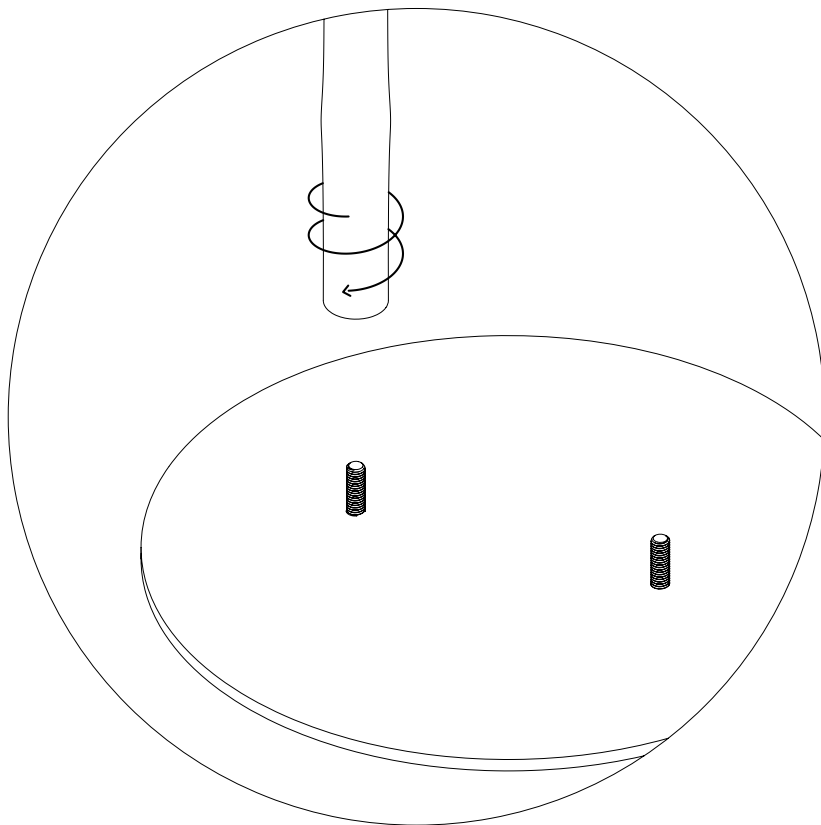
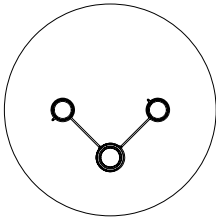
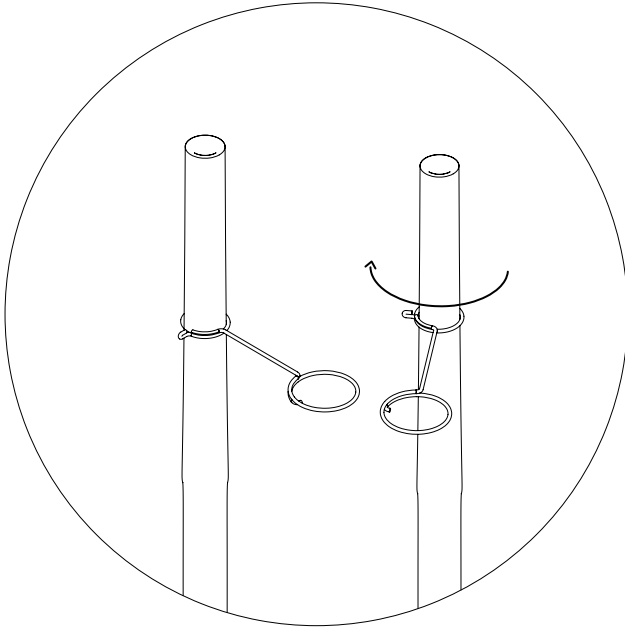
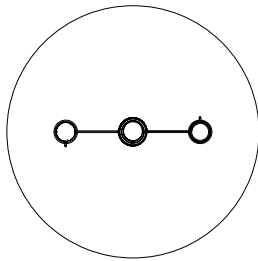


Fig. 2

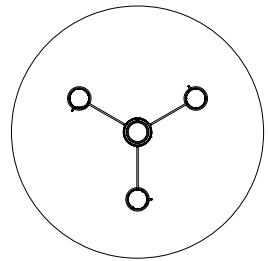
Carefully adjust the spring position so it matches the orientation indicated below. To do this, move the spring, not the bamboo pole.



ta-ke 1



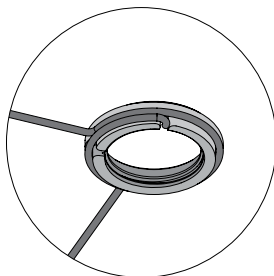
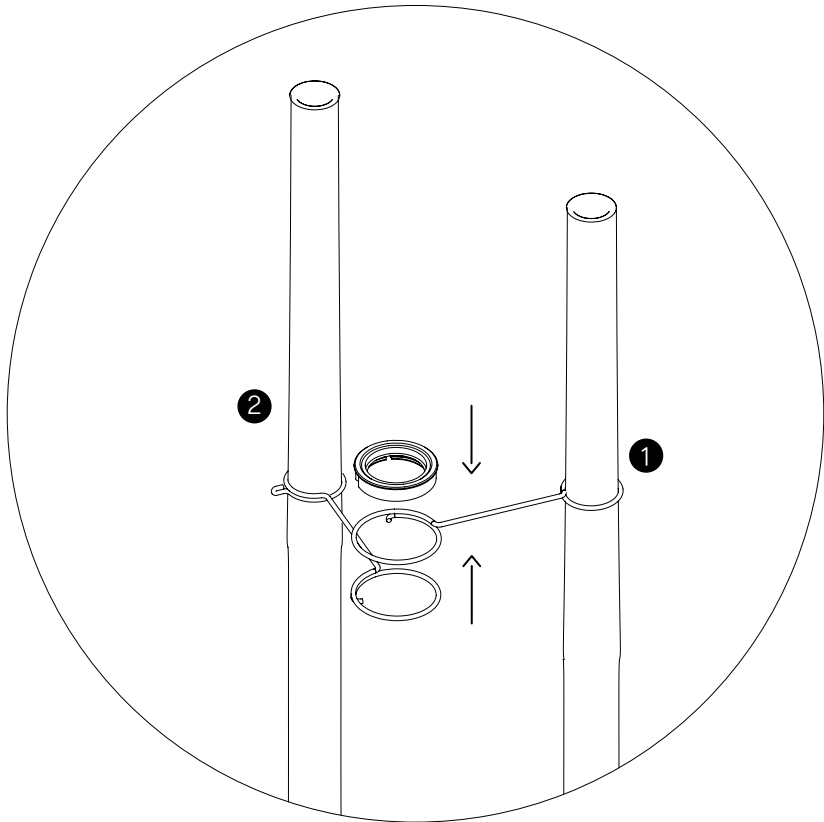
ta-ke 2



ta-ke 3

Fig. 3.1 – ta-ke 1

Insert the springs into the upper brass ring as seen below. Please note the order (1, 2) in which the springs are inserted. Ensure the ends of the springs slot securely into the notches of the brass ring.



Spring ends need to be slotted into brass ring notches.

Fig. 4.1 – ta-ke 1

Screw the lower brass ring onto the ring and spring assembly. Now the alignment of the springs can be adjusted, if required. Repeat step 3.1 and 4.1 with the other set of springs.

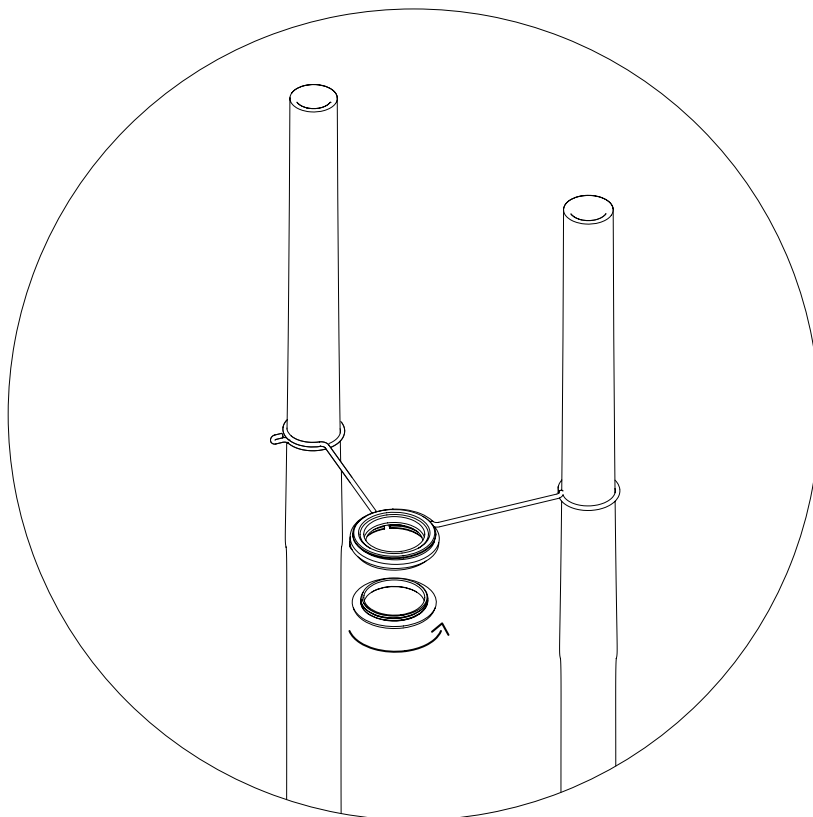
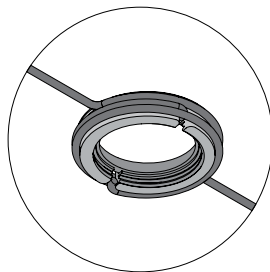
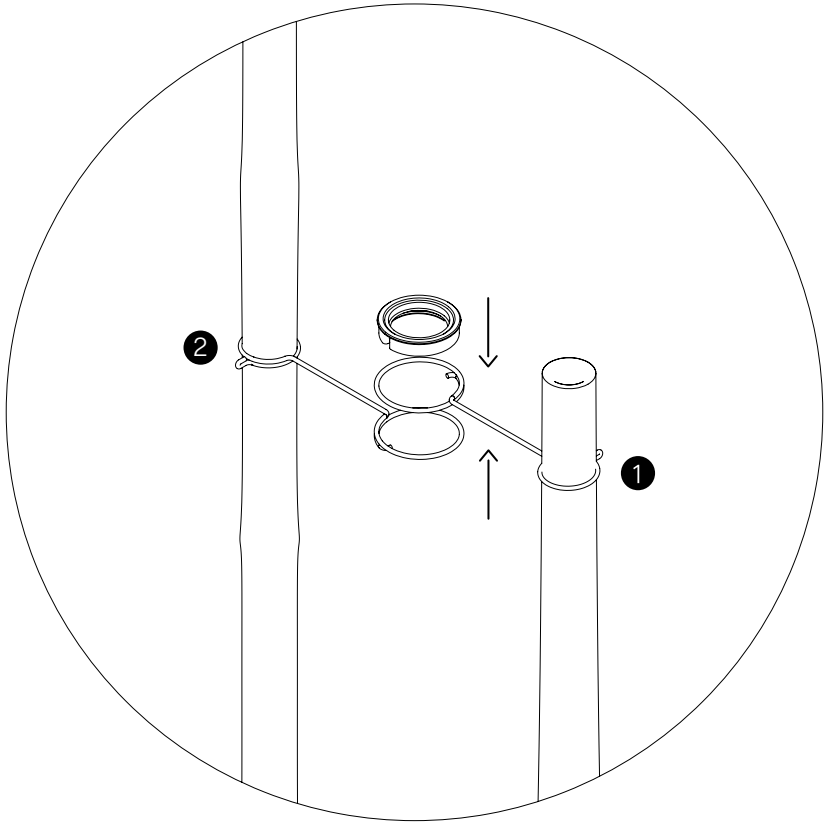


Fig. 3.2 – ta-ke 2

Insert the springs into the upper brass ring as seen below. Please note the order (1, 2) in which the springs are inserted. Ensure the ends of the springs slot securely into the notches of the brass ring.



Spring ends need to be slotted into brass ring notches.

Fig. 4.2 – ta-ke 2

Screw the lower brass ring onto the ring and spring assembly. Now the alignment of the springs can be adjusted, if required. Repeat step 3.2 and 4.2 with the other set of springs.

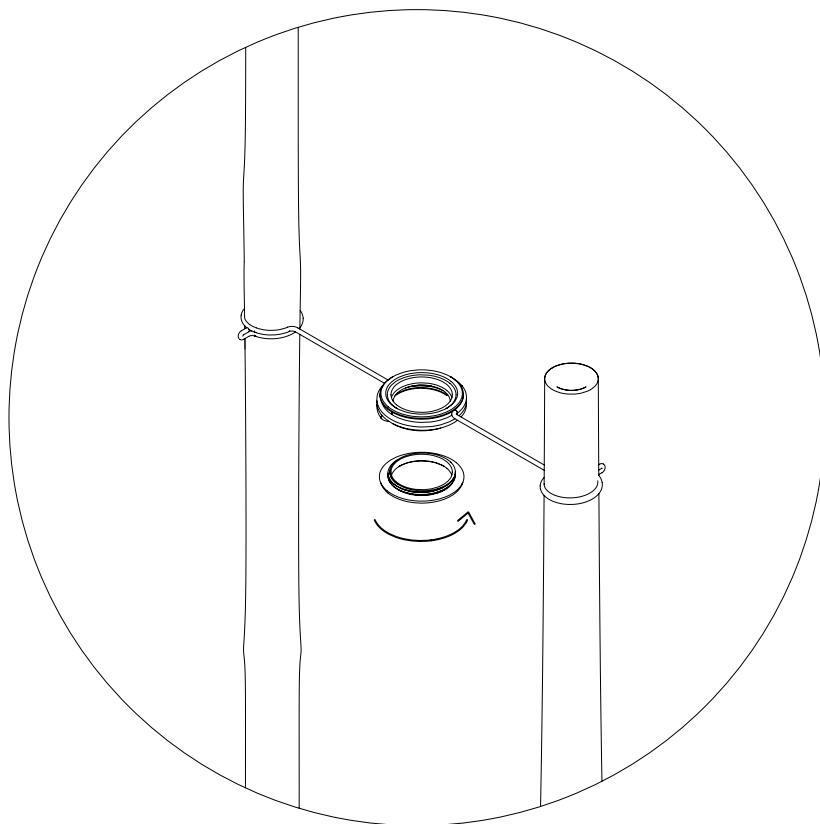
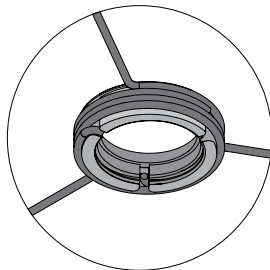
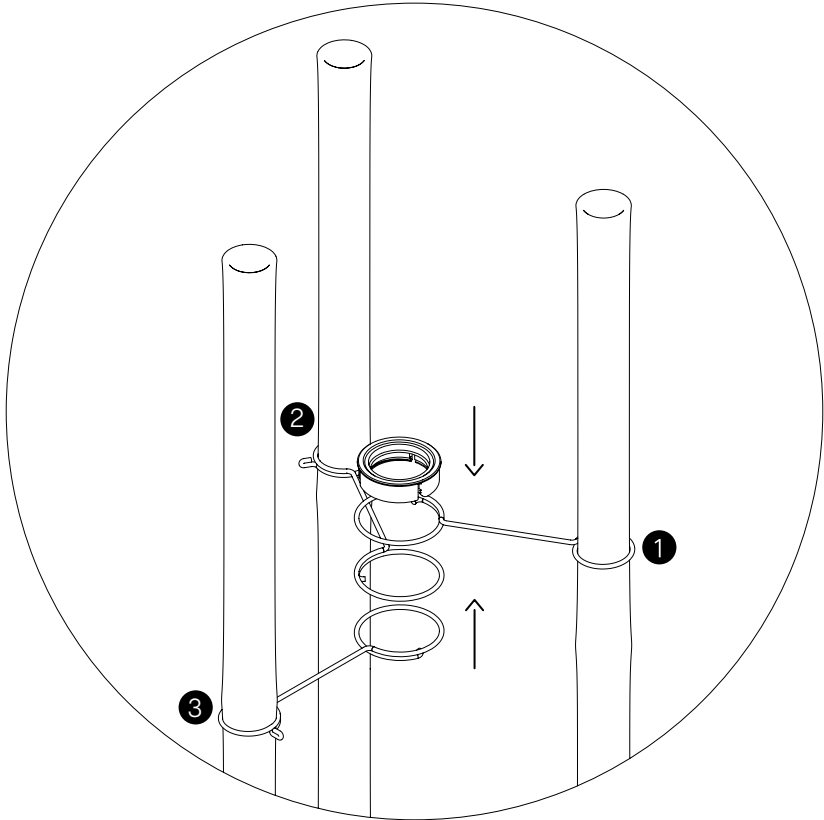


Fig. 3.3 – ta-ke 3

Insert the springs into the upper brass ring as seen below. Please note the order (1, 2, 3) in which the springs are inserted. Ensure the ends of the springs slot securely into the notches of the brass ring.



Spring ends need to be slotted into brass ring notches.

Fig. 4.3 – ta-ke 3

Screw the lower brass ring onto the ring and spring assembly. Now the alignment of the springs can be adjusted, if required. Repeat step 3.3 and 4.3 with the other set of springs.

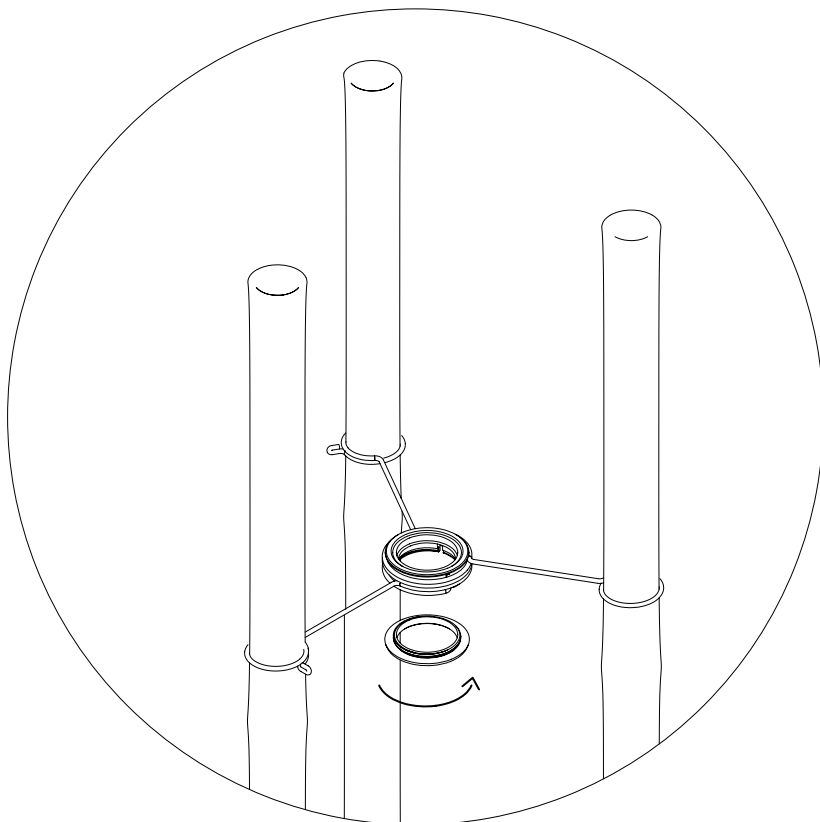


Fig. 5

Thread the bulb cable through both brass rings from the top. Then insert the bulb into both brass rings. Take care not to pinch the cable between ring and bulb.

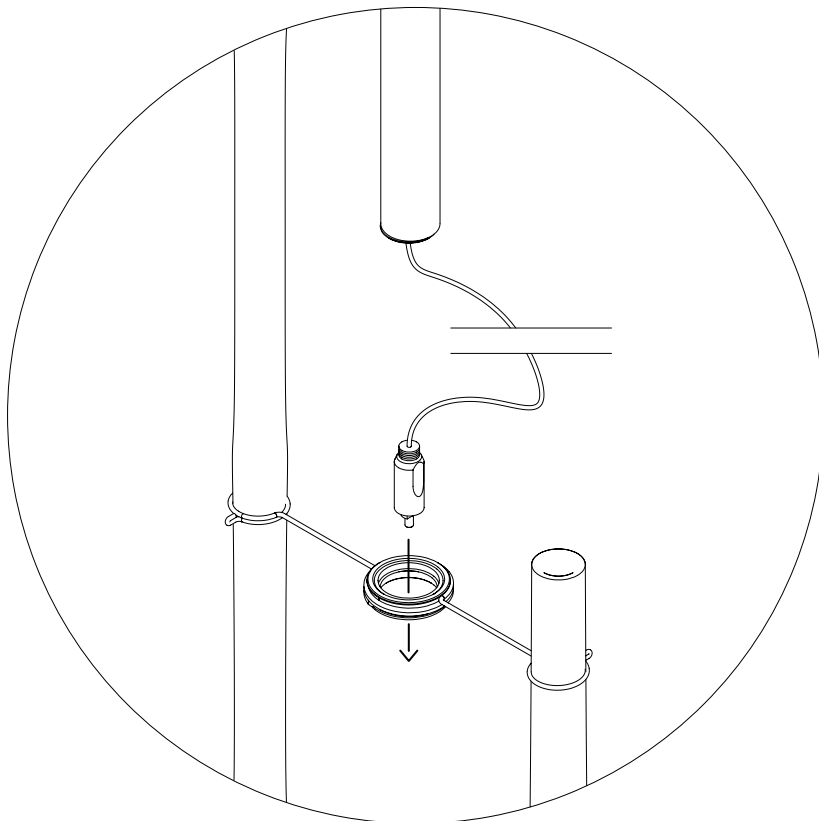


Fig. 6

The bulb should be positioned according to the corresponding diagram below.

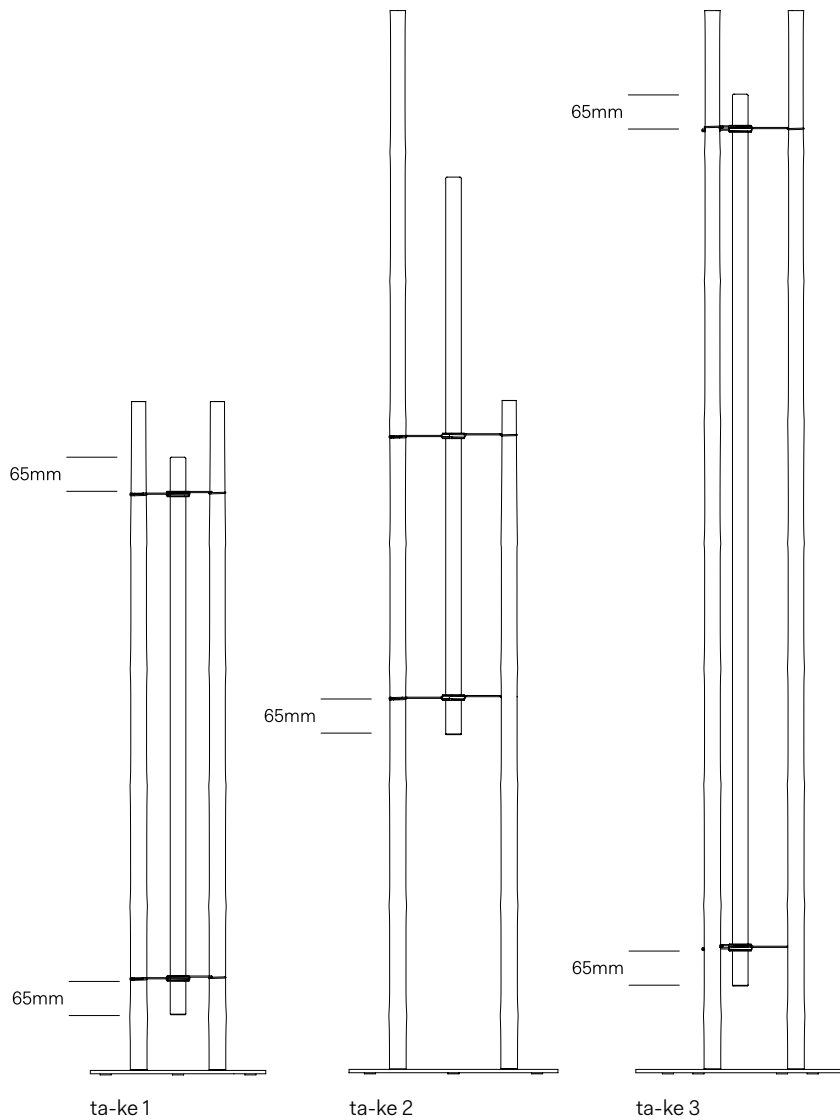


Fig. 7

Connect the bulb connector to the dimmer switch by inserting and twisting the male connector into the female connector. Use the same push and twist method to connect dimmer switch and wall plug.

The driver is provided with a multi plug option, please choose the correct plug for your region and attach.

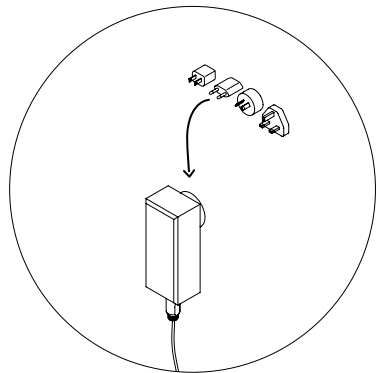
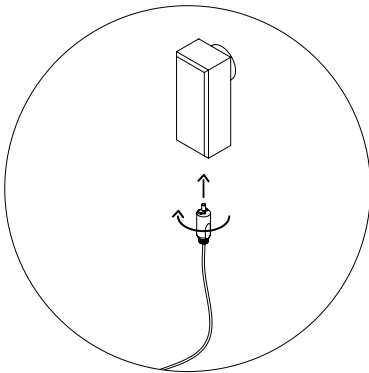
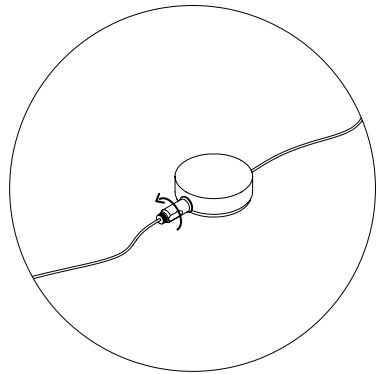
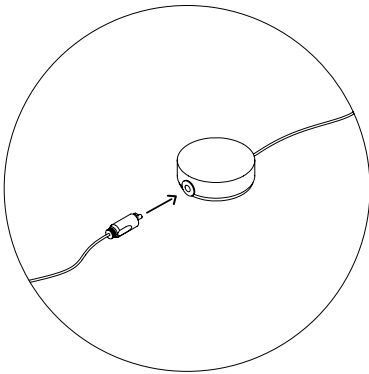
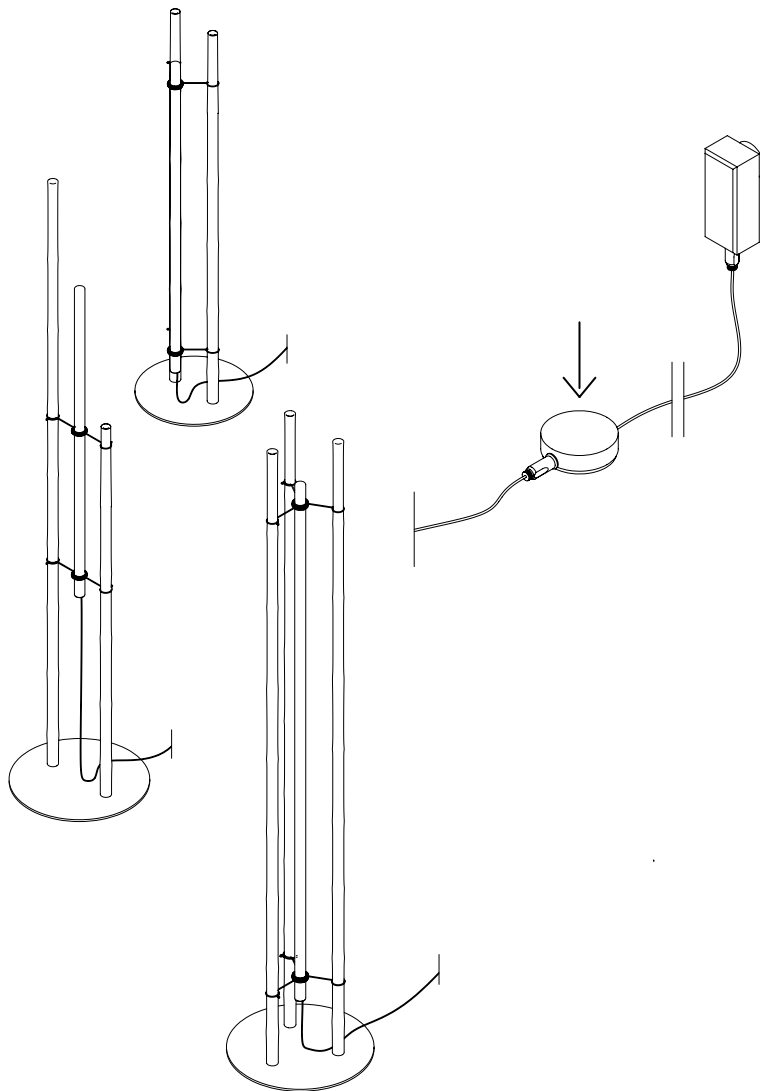


Fig. 8

Press dimmer switch once to turn the lamp on and off. To dim, turn the light on and hold switch down until the desired brightness is reached.
For the Casambi option, please download the Casambi app and follow the instructions.



Michael Anastassiades' design philosophy is to preserve the inherent qualities of given material. All of our products are handmade and come in natural finishes, exposed to the elements without any protective lacquers. We look at oxidisation as part of a process that adds to the patina of an object, increasing beauty with time. We try our best for all goods to leave our premises in pristine condition, but sometimes products may arrive with minor oxidisation marks.

Whilst every effort is made to ensure accurate representation of product colours, finishes and dimensions, Michael Anastassiades Ltd reserves the right to alter these details without notice, in compliance with its own production needs, technological changes or in response to the current market needs. Colour swatches are for reference only; Michael Anastassiades Ltd cannot guarantee exact colour match for any product finishes.

All designs are protected under copyright law. Michael Anastassiades holds the exclusive manufacturing and distribution rights worldwide. Copying will be prosecuted.

All light fixtures in this catalogue have CE marking compliance.

Michael Anastassiades Ltd.
50 Rochester Place, London NW1 9JX
T +44 (0)20 7928 7527
sales@michaelanastassiades.com
www.michaelanastassiades.com
© 2022 Michael Anastassiades Ltd. All rights reserved.