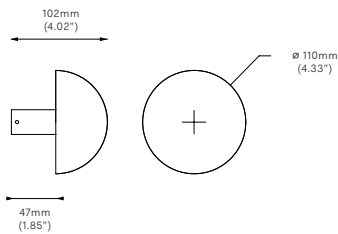


BRASS ARCHITECTURAL COLLECTION
CAP, WALL/CEILING MOUNTED, 2023

Polished Brass

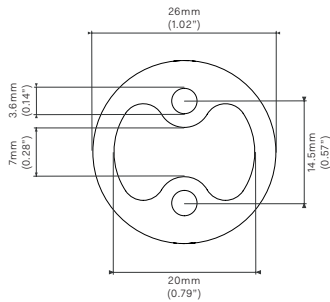


OVERALL DIMENSIONS



BACKPLATE DIMENSIONS

Mounting screws not included.
3mm countersunk screw recommended.



MATERIALS AND FINISHES



MA-CAP-PBR
Polished Brass

BULB SPECIFICATIONS

Integrated LED 4W
330lm / 2700K

PRODUCT SPECIFICATIONS

Input voltage: 120V / 240V dimmable 0~10Vdc
Maximum wattage: 3.5W
Product weight: 1kg

120V version supplied with paintable junction
box cover.

IP 20: Indoor Use Only
(suitable for bathroom Zone 3)

CLEANING INSTRUCTIONS

Before cleaning, lighting fixtures must be turned off and unplugged from mains electricity. Whilst cleaning please take care and use the gloves provided.

Polished Brass: As the item is unlacquered it will naturally oxidise and darken. Upon touching the items without gloves, fingerprints are likely to occur and leave marks. Use a good quality brass cleaning liquid and follow the product instructions using the extra soft dust cloth. Do not apply pressure on persistent marks. Remove them using repeated gentle motions and by reapplying the brass cleaning liquid.