

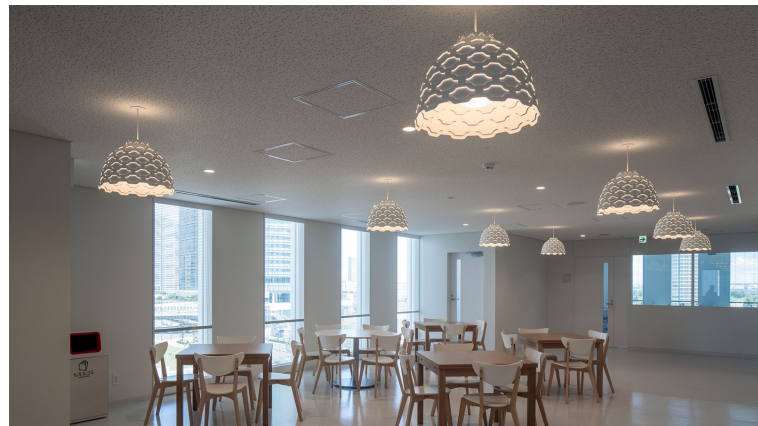
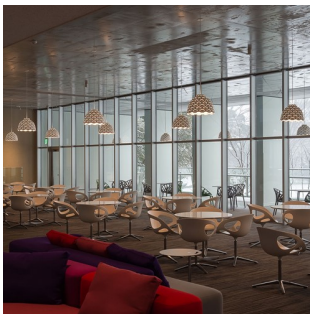
# LC SHUTTERS

The fixture emits a primarily downward illumination. The perforated pattern on the shade provides a soft illumination around the fixture. Meanwhile, the perforation helps to lighten up the surface of the shade in a decorative way, when it is turned on, thereby maintaining the contour of the fixture, whether it is on or off. The light source is surrounded by an opal diffuser, which ensures that the fixture is 100% glare-free, and that the fixture is suitable for several types of light sources providing the same light distribution and comfort. And finally, the shape of the diffuser allows a beautiful view into the fixture.



## Louise Campbell

Louise Campbell was born in Copenhagen in 1970. Being the daughter of a Danish father and an English mother, she grew up and was educated in both countries. After graduating from the London College of Furniture in 1992, she returned to Denmark and continued her studies in Industrial Design at Denmark's Design School, graduating from here in 1995.



## Yokohama College of Dental Care and Health Sciences

## Product info

### Mounting

Suspension type: Cable 2x1mm<sup>2</sup>. Canopy: Yes. Cable length: 3m.

### Finish

White, powder coated.

### Materials

Shade: Spun aluminium. Punched and embossed. Suspension: Powder coated die casted aluminium. Diffuser ball: Mouth-blown white opal glass.

### Sizes and weights

Width x Height x Length (mm) | 440 x 301 x 440 Max 3.8 kg

### Class

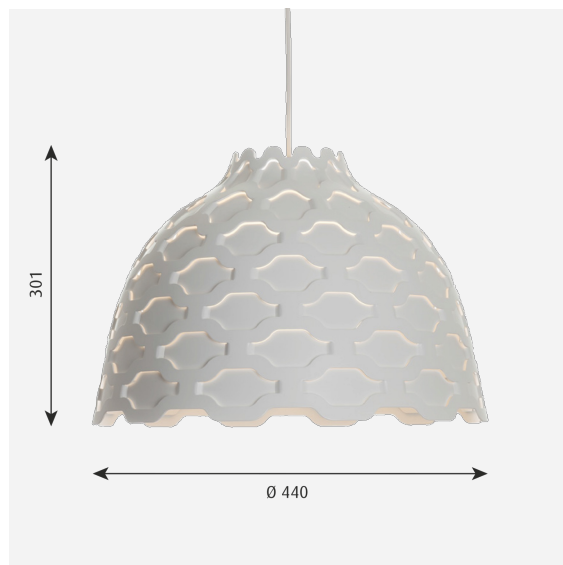
Ingress protection IP20. Electric shock protection II wo. ground.

### Specification notes

The innovation of light sources is ongoing. Consequently, we only inform about the maximum wattages. On [www.louispoulsen.com](http://www.louispoulsen.com) we update a list of recommended light sources.

### Light source

1x70W E27



## Product variants

### Light source

1x70W E27

# Product description

Suspended metal luminaire.  
Classic bell design.  
Perforated shade provides self-illumination.  
Available in all white or with coloured accents.  
Durable design with lightweight appearance.

---

## Mounting

Can be mounted on 4" octagonal junction box (USA only)

---

## Light description

Glare free, mostly downlight distribution.  
Glare free, diffuse illumination.

---

## Design

Louise Campbell

---

## Material

Shade: spun aluminium, 3mm (0.12") thick, white powder coated.  
Inner diffuser: cast opal polycarbonate, 2mm (0.08") thick.  
Struts: cast aluminium, 3mm (0.12") thick, white powder coated.  
Socket: Polycarbonate, GU24 base for self-ballasted high efficiency lamps.  
Canopy: 5.3" diameter x 0.9" tall cone of spun aluminum.  
Cable: white PVC coated, 12 ft. (USA)

---

## Weight

3.756

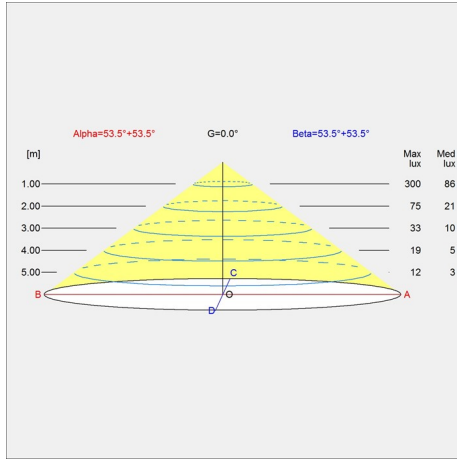
---

## Finish

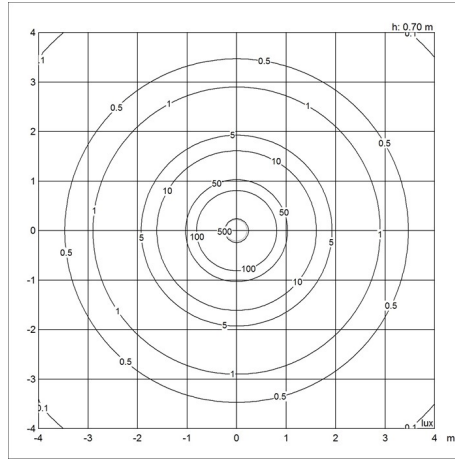
White

# Light distribution diagrams

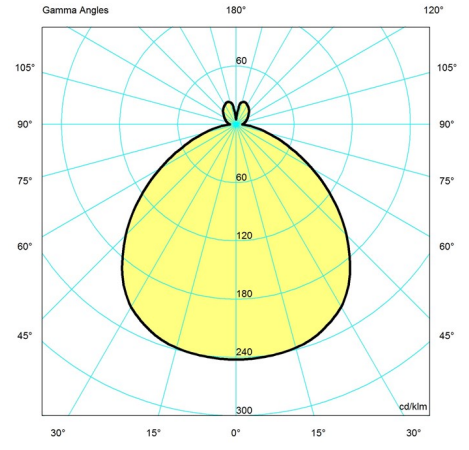
Cartesian



Isolux



Polar



## Spare parts & accessories

**Product**

- Canopy White 2-part tophat ©
- LC Shutters 70W suspension V2
- LC Shutters diffuser ball V2

**Variant number**

- 5749329034
- 5741094626
- 5741094639