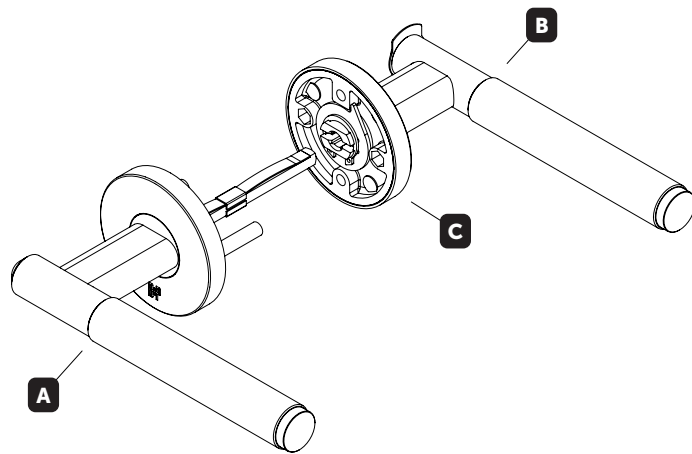


BUSTER + PUNCH

LONDON

DOOR LEVER HANDLE SET LINEAR KNURL INSTALLATION 38MM SPRUNG

INSTALLATION MANUAL



**BUSTER + PUNCH DOOR HANDLE SETS, FOR
INSTALLATION ONTO A 35mm DOOR (MINIMUM).**

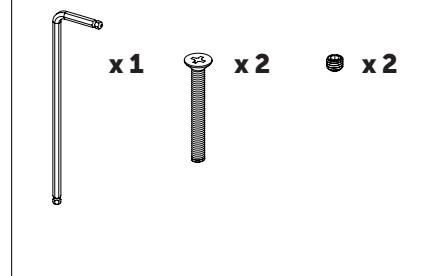
**PRODUCT VARIATIONS COVERED BY THIS
INSTRUCTION MANUAL ARE LISTED BELOW:**

DOOR HANDLE SET OF 2 / LINEAR / SPRUNG

BUSTER + PUNCH RECOMMENDED TUBULAR LATCHES:

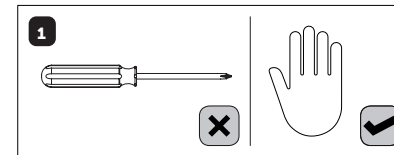
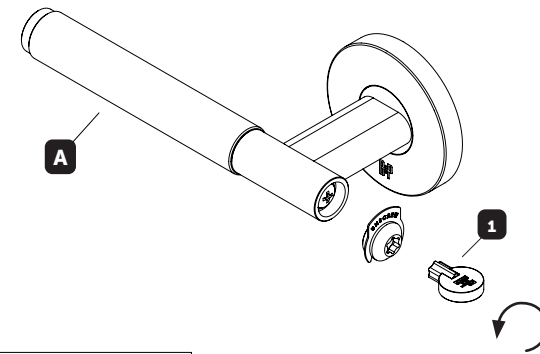
TUBULAR LATCH / FOR DOOR HANDLE / 57mm BACKSET

CONTENTS

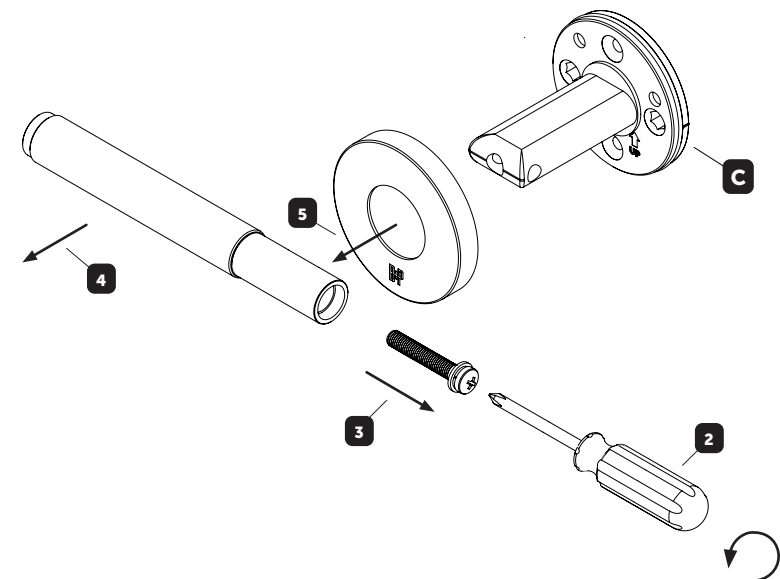


BUSTERANDPUNCH.COM
L0181

1

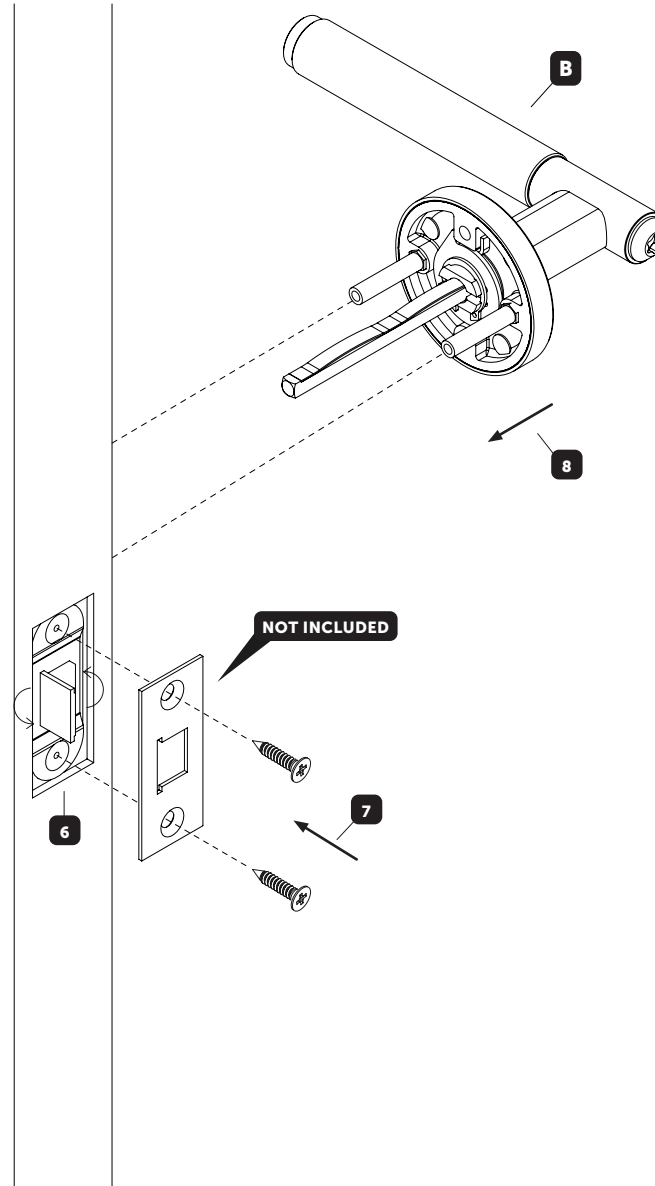
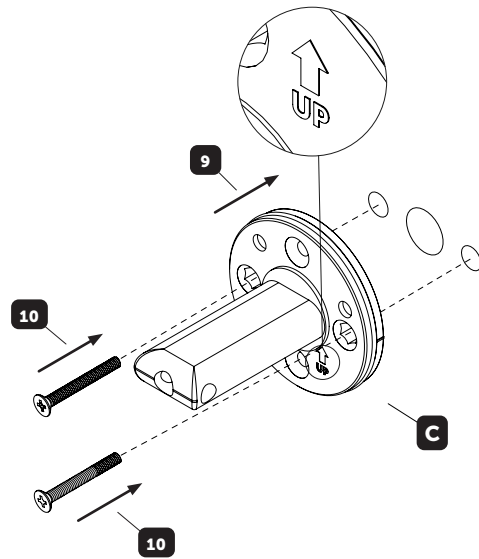
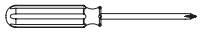


2

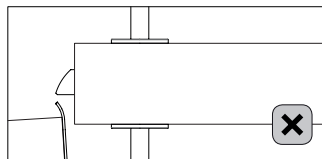
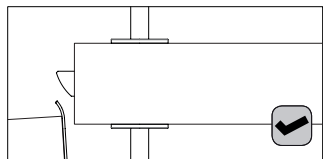


3

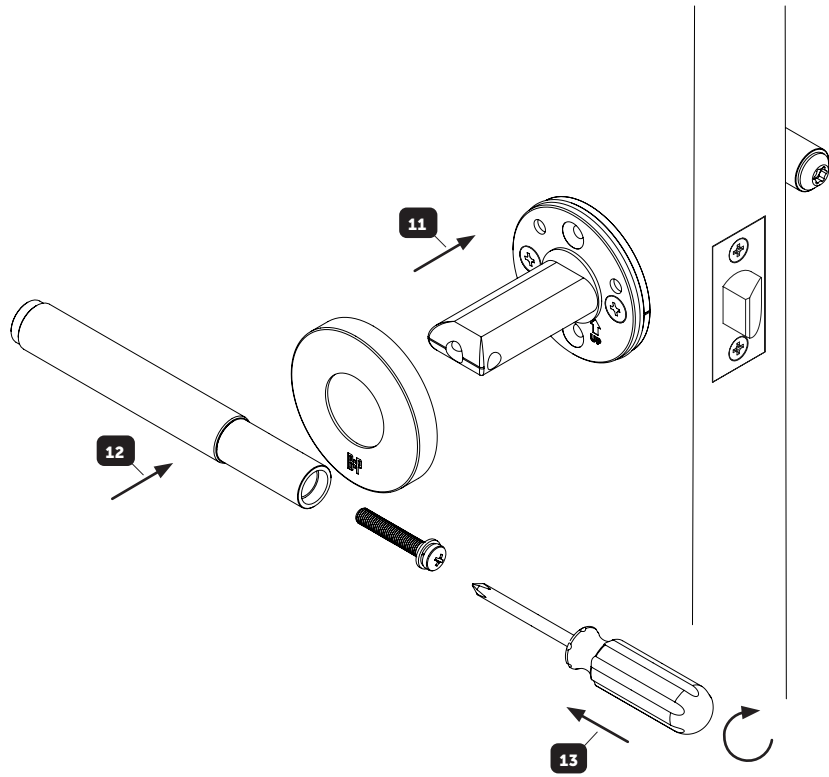
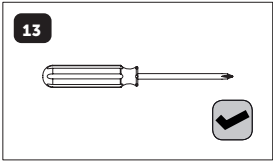
7 + 10



6 ROTATE THE LATCH TONGUE TO ENSURE THAT IS IT ORIENTATED CORRECTLY.



4



5

