

# FLOS

■ F3452030 Black

## Kelvin Edge Base

Designed by Antonio Citterio, 2015

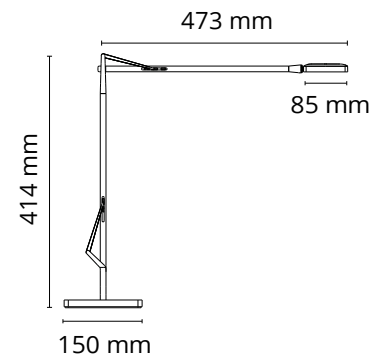
7W - 306lm - 2700-3200K - CRI> 90



Adjustable table lamp providing direct light. Aluminium painted or chromed body, with die cast head, joints and forks, and extruded arms. Diffuser in photoengraved polycarbonate and aluminate on the perimeter. Edge Lighting technology light source. Optical switch sensor placed on the head that provide 3-step dimming function and color temperature adjustment at 2700K or 3200K. Power cord length 150 cm. Plug-in power supply with interchangeable plugs.

Are you a professional and your project needs consulting and support?

[BOOK AN APPOINTMENT](#)



### Main specifications

EAN	8059607004586
Mounting	Table
Environments	Indoor dry location
Light Source Type	LED
LED type	LED Module
Power (W)	7
System flux (lm)	306

### Physical

Colour	Black
Net weight (kg)	3.9
Package volume (m3)	0.02
IP internal	20

### Download

Mounting instructions	<a href="#">↓ PDF</a>
Mounting instructions	<a href="#">↓ PDF</a>
Mounting instructions	<a href="#">↓ PDF</a>
Spare Parts	<a href="#">↓ PDF</a>

### Photometric Files

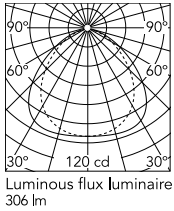
LDT / IES	<a href="#">↓ LDT</a>
-----------	-----------------------

### Technical Drawings

2D	<a href="#">↓ ZIP</a>
----	-----------------------



## Schematic light drawing



## Photometric

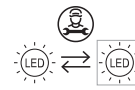
Lighting type	Direct
Light distribution	Symmetric
CCT (K)	2700-3200
CRI>	90

## Electrical

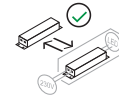
Insulation class	III
Frequency (Hz)	50/60
Main voltage (Vac)	100-240/24
LED voltage Vf (Vdc)	null
Driver	Remote included
Dimmable	Yes
Dimming type	Electronic 24V
Dimming interface	Dimmer Integrated
Plug type	Type G, Type A, Type C
Batteries inside	No
Charging min time	No

## Ecodesign and Energy Labelling

This product contains a light source of energy efficiency class E

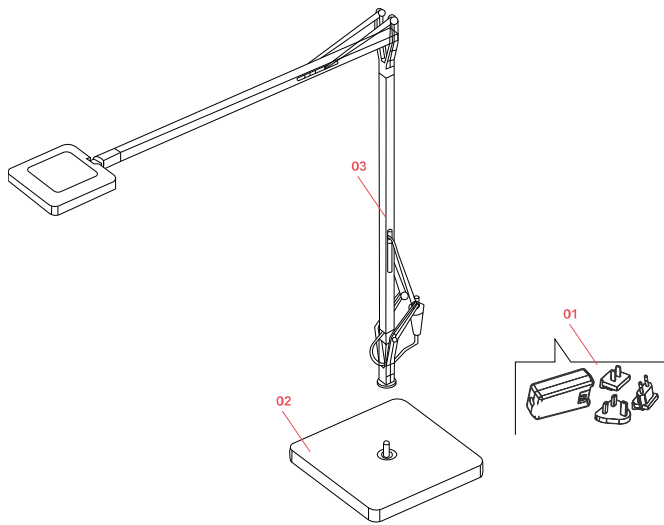


Replaceable (LED only)  
light source by a  
professional



Replaceable control  
gear by an end-user

## Spare Parts



- |     |                                      |           |
|-----|--------------------------------------|-----------|
| 01. | Black plug assembly kit & 24V driver | RF3320100 |
| 02. | Kelvin edge black base               | F3451030  |
| 03. | Kelvin edge black body               | F3450030  |

**DOWNLOAD**



RF3320100  
Black plug assembly kit & 24V  
driver



F3451030  
Kelvin edge black base



F3450030  
Kelvin edge black body

# FLOS

■ F3454030 Black

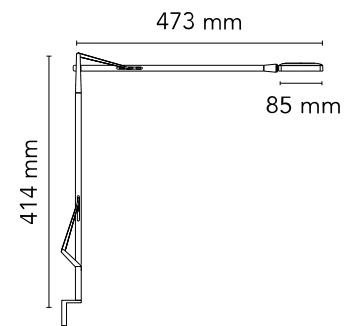
## Kelvin Edge Wall support

Designed by Antonio Citterio, 2015

7W - 306lm - 2700-3200K - CRI> 90



Adjustable table lamp providing direct light. Aluminium painted or chromed body, with die cast head, joints and forks, and extruded arms. Diffuser in photoengraved polycarbonate and aluminate on the perimeter. Edge Lighting technology light source. Optical switch sensor placed on the head that provide 3-step dimming function and color temperature adjustment at 2700K or 3200K. Power cord length 150 cm. Plug-in power supply with interchangeable plugs.



Are you a professional and your project needs consulting and support?

[BOOK AN APPOINTMENT](#)

### Main specifications

EAN	8059607004708
Mounting	Wall arm
Environments	Indoor dry location
Light Source Type	LED
LED type	LED Module
Power (W)	7
System flux (lm)	306

### Physical

Colour	Black
Net weight (kg)	0.67
Package volume (m3)	0.02
IP internal	20

### Download

<a href="#">Mounting instructions</a>	↓ PDF
<a href="#">Mounting instructions</a>	↓ PDF
<a href="#">Mounting instructions</a>	↓ PDF
<a href="#">Spare Parts</a>	↓ PDF

### Photometric Files

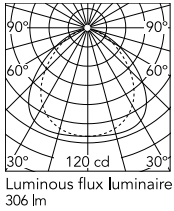
<a href="#">LDT / IES</a>	↓ LDT
---------------------------	-------

### Technical Drawings

<a href="#">2D</a>	↓ ZIP
--------------------	-------



## Schematic light drawing



## Photometric

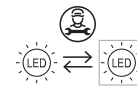
Lighting type	Direct
Light distribution	Symmetric
CCT (K)	2700-3200
CRI>	90

## Electrical

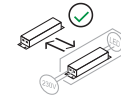
Insulation class	III
Frequency (Hz)	50/60
Main voltage (Vac)	100-240/24
LED voltage Vf (Vdc)	null
Driver	Remote included
Dimmable	Yes
Dimming type	Electronic 24V
Dimming interface	Dimmer Integrated
Plug type	Type G, Type A, Type C
Batteries inside	No
Charging min time	No

## Ecodesign and Energy Labelling

This product contains a light source of energy efficiency class E

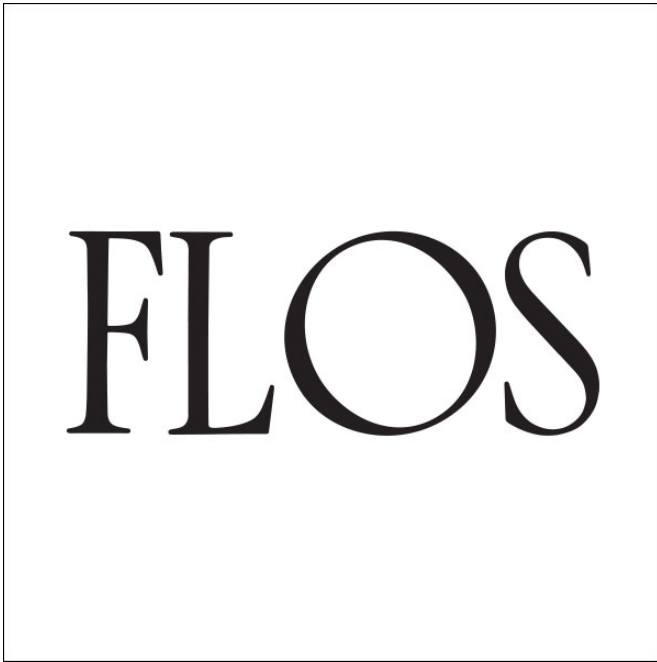


Replaceable (LED only)  
light source by a  
professional



Replaceable control  
gear by an end-user

## Spare Parts



- Kelvin edge black body F3450030
- Black plug assembly kit & 24V driver RF3320100

**DOWNLOAD**



F3450030

Kelvin edge black body



RF3320100

Black plug assembly kit & 24V driver



# FLOS

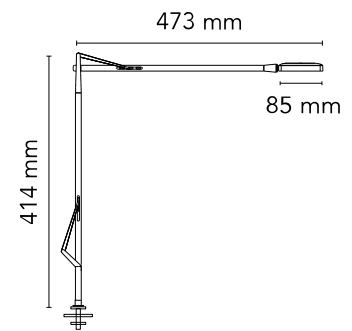
■ F3456030 Black

## Kelvin Edge Desk support (hidden cable)

Designed by Antonio Citterio, 2015

7W - 306lm - 2700-3200K - CRI> 90

Adjustable table lamp providing direct light. Aluminium painted or chromed body, with die cast head, joints and forks, and extruded arms. Diffuser in photoengraved polycarbonate and aluminate on the perimeter. Edge Lighting technology light source. Optical switch sensor placed on the head that provide 3-step dimming function and color temperature adjustment at 2700K or 3200K. Power cord length 150 cm. Plug-in power supply with interchangeable plugs.



Are you a professional and your project needs consulting and support?

[BOOK AN APPOINTMENT](#)

### Main specifications

EAN	8059607004784
Mounting	Desk support with hidden cable
Environments	Indoor dry location
Light Source Type	LED
LED type	LED Module
Power (W)	7
System flux (lm)	306

### Physical

Colour	Black
Net weight (kg)	0.67
Package volume (m3)	0.02
IP internal	20

### Download

<a href="#">Mounting instructions</a>	↓ PDF
<a href="#">Mounting instructions</a>	↓ PDF
<a href="#">Mounting instructions</a>	↓ PDF
<a href="#">Spare Parts</a>	↓ PDF

### Photometric Files

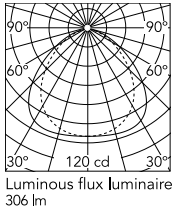
<a href="#">LDT / IES</a>	↓ LDT
---------------------------	-------

### Technical Drawings

<a href="#">2D</a>	↓ ZIP
--------------------	-------



## Schematic light drawing



## Photometric

Lighting type	Direct
Light distribution	Symmetric
CCT (K)	2700-3200
CRI>	90

## Electrical

Insulation class	III
Frequency (Hz)	50/60
Main voltage (Vac)	100-240/24
LED voltage Vf (Vdc)	null
Driver	Remote included
Dimmable	Yes
Dimming type	Electronic 24V
Dimming interface	Dimmer Integrated
Plug type	Type G, Type A, Type C
Batteries inside	No
Charging min time	No

## Ecodesign and Energy Labelling

This product contains a light source of energy efficiency class E



Replaceable (LED only)  
light source by a  
professional



Replaceable control  
gear by an end-user

## Spare Parts



- Kelvin edge black body F3450030
- Black plug assembly kit & 24V driver RF3320100

**DOWNLOAD**



F3450030

Kelvin edge black body



RF3320100

Black plug assembly kit & 24V driver

# FLOS

■ F3458030 Black

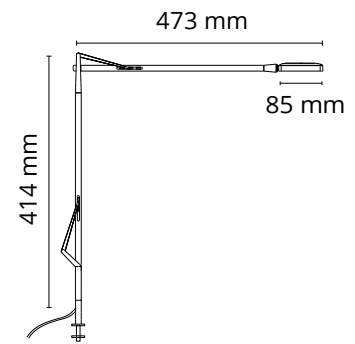
## Kelvin Edge Desk support (visible cable)

Designed by Antonio Citterio, 2015

7W - 306lm - 2700-3200K - CRI> 90



Adjustable table lamp providing direct light. Aluminium painted or chromed body, with die cast head, joints and forks, and extruded arms. Diffuser in photoengraved polycarbonate and aluminate on the perimeter. Edge Lighting technology light source. Optical switch sensor placed on the head that provide 3-step dimming function and color temperature adjustment at 2700K or 3200K. Power cord length 150 cm. Plug-in power supply with interchangeable plugs.



Are you a professional and your project needs consulting and support?

[BOOK AN APPOINTMENT](#)

### Main specifications

EAN	8059607004869
Mounting	Desk support with visible cable
Environments	Indoor dry location
Light Source Type	LED
LED type	LED Module
Power (W)	7
System flux (lm)	306

### Physical

Colour	Black
Net weight (kg)	0.67
Package volume (m3)	0.02
IP internal	20

### Download

<a href="#">Mounting instructions</a>	↓ PDF
<a href="#">Mounting instructions</a>	↓ PDF
<a href="#">Mounting instructions</a>	↓ PDF
<a href="#">Spare Parts</a>	↓ PDF

### Photometric Files

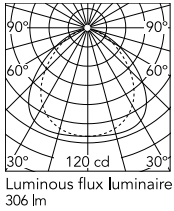
<a href="#">LDT / IES</a>	↓ LDT
---------------------------	-------

### Technical Drawings

<a href="#">2D</a>	↓ ZIP
--------------------	-------



## Schematic light drawing



## Photometric

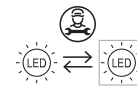
Lighting type	Direct
Light distribution	Symmetric
CCT (K)	2700-3200
CRI>	90

## Electrical

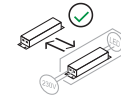
Insulation class	III
Frequency (Hz)	50/60
Main voltage (Vac)	100-240/24
LED voltage Vf (Vdc)	null
Driver	Remote included
Dimmable	Yes
Dimming type	Electronic 24V
Dimming interface	Dimmer Integrated
Plug type	Type G, Type A, Type C
Batteries inside	No
Charging min time	No

## Ecodesign and Energy Labelling

This product contains a light source of energy efficiency class E

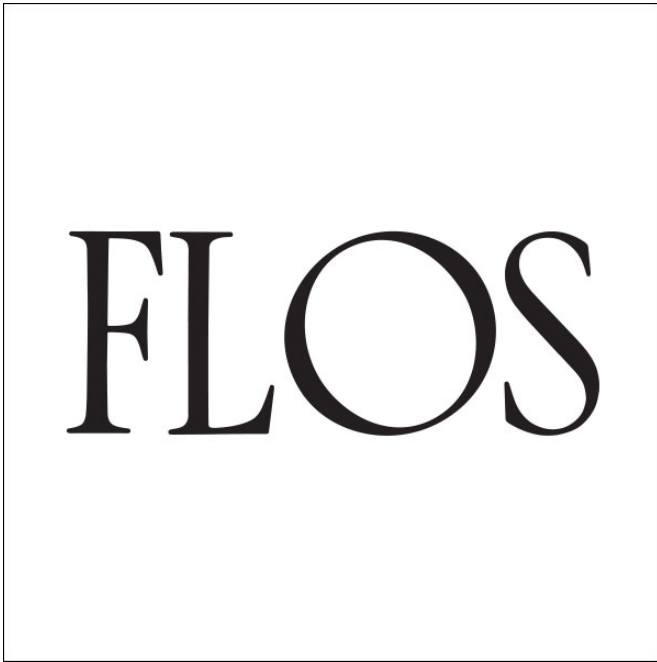


Replaceable (LED only)  
light source by a  
professional



Replaceable control  
gear by an end-user

## Spare Parts



- Kelvin edge black body F3450030
- Black plug assembly kit & 24V driver RF3320100

**DOWNLOAD**



F3450030

Kelvin edge black body



RF3320100

Black plug assembly kit & 24V driver



# FLOS

■ F3460030 Black

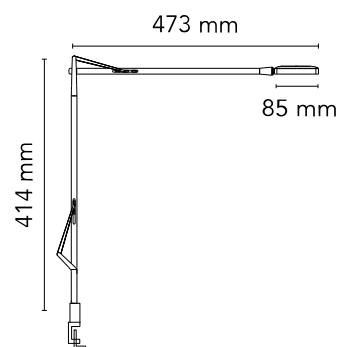
## Kelvin Edge Clamp

Designed by Antonio Citterio, 2015

7W - 306lm - 2700-3200K - CRI> 90



Adjustable table lamp providing direct light. Aluminium painted or chromed body, with die cast head, joints and forks, and extruded arms. Diffuser in photoengraved polycarbonate and aluminate on the perimeter. Edge Lighting technology light source. Optical switch sensor placed on the head that provide 3-step dimming function and color temperature adjustment at 2700K or 3200K. Power cord length 150 cm. Plug-in power supply with interchangeable plugs.



Are you a professional and your project needs consulting and support?

[BOOK AN APPOINTMENT](#)

### Main specifications

EAN	8059607004944
Mounting	Clamp
Environments	Indoor dry location
Light Source Type	LED
LED type	LED Module
Power (W)	7
System flux (lm)	306

### Physical

Colour	Black
Net weight (kg)	0.78
Package volume (m3)	0.02
IP internal	20

### Download

<a href="#">Mounting instructions</a>	↓ PDF
<a href="#">Mounting instructions</a>	↓ PDF
<a href="#">Mounting instructions</a>	↓ PDF
<a href="#">Spare Parts</a>	↓ PDF

### Photometric Files

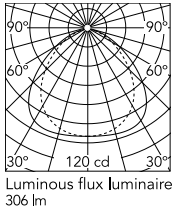
<a href="#">LDT / IES</a>	↓ LDT
---------------------------	-------

### Technical Drawings

<a href="#">2D</a>	↓ ZIP
--------------------	-------



## Schematic light drawing



## Photometric

Lighting type	Direct
Light distribution	Symmetric
CCT (K)	2700-3200
CRI>	90

## Electrical

Insulation class	III
Frequency (Hz)	50/60
Main voltage (Vac)	100-240/24
LED voltage Vf (Vdc)	null
Driver	Remote included
Dimmable	Yes
Dimming type	Electronic 24V
Dimming interface	Dimmer Integrated
Plug type	Type G, Type A, Type C
Batteries inside	No
Charging min time	No

## Ecodesign and Energy Labelling

This product contains a light source of energy efficiency class E



Replaceable (LED only) light source by a professional



Replaceable control gear by an end-user

## Spare Parts



- Kelvin edge black body F3450030
- Black plug assembly kit & 24V driver RF3320100

**DOWNLOAD**



F3450030

Kelvin edge black body



RF3320100

Black plug assembly kit & 24V  
driver