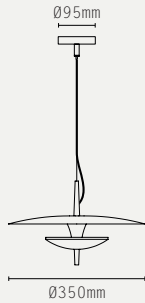


LUNA PENDANT



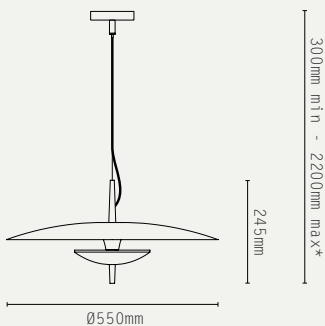
LUNA 350:



LUNA 450:



LUNA 550:



*longer cable available at extra cost

LIGHT SOURCE:

INTEGRATED LED MODULE / 2700K
/ 9.5W / 1000 LUMENS

DIMMABLE:

PHASE (MAINS) DIMMING

VOLTAGE:

240V AC (CLASS I)

CERTIFICATIONS:

CE / UKCA

MATERIALS:

BRASS, NATURAL STONE

WEIGHT:

LUNA 350: 3 KG (APPROX)
LUNA 450: 3.5 KG (APPROX)
LUNA 550: 4 KG (APPROX)

HANGING OPTIONS:

- SUSPENSION WIRE WITH CABLE
- DROP ROD (ON REQUEST)

ADDITIONAL INFO:

DESIGNED BY WILL EARL 2021
MADE IN ENGLAND

METAL FINISHES:



STONE OPTIONS:



PRODUCT CODES:

LUNA 350

- LUN.P35.AB.BM - ANTIQUE BRASS / BLACK MARBLE
- LUN.P35.AB.RM - ANTIQUE BRASS / RED MARBLE
- LUN.P35.AB.TV - ANTIQUE BRASS / TRAVERTINE

LUNA 450

- LUN.P45.AB.BM - ANTIQUE BRASS / BLACK MARBLE
- LUN.P45.AB.RM - ANTIQUE BRASS / RED MARBLE
- LUN.P45.AB.TV - ANTIQUE BRASS / TRAVERTINE

LUNA 550

- LUN.P55.AB.BM - ANTIQUE BRASS / BLACK MARBLE
- LUN.P55.AB.RM - ANTIQUE BRASS / RED MARBLE
- LUN.P55.AB.TV - ANTIQUE BRASS / TRAVERTINE