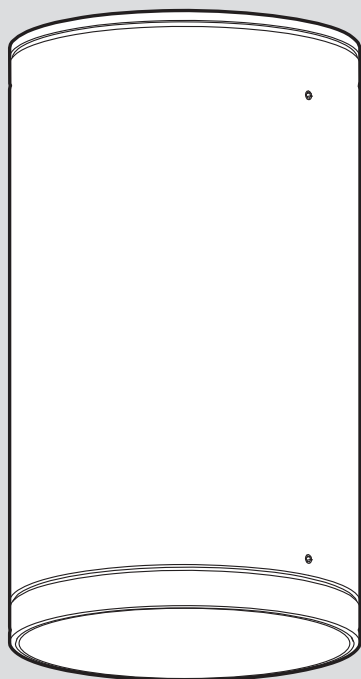


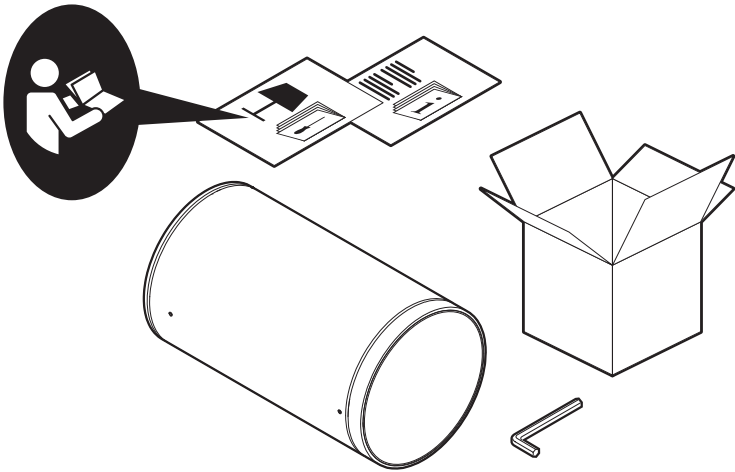
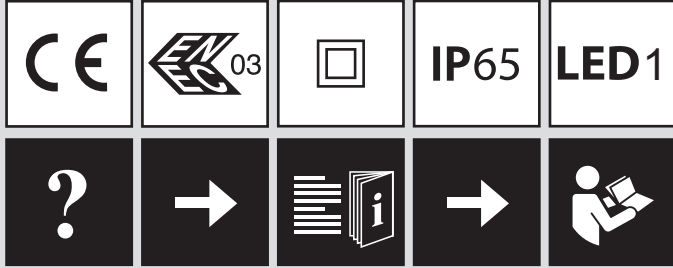
# Artemide®

## Calumet





i



**i**

**IK06**

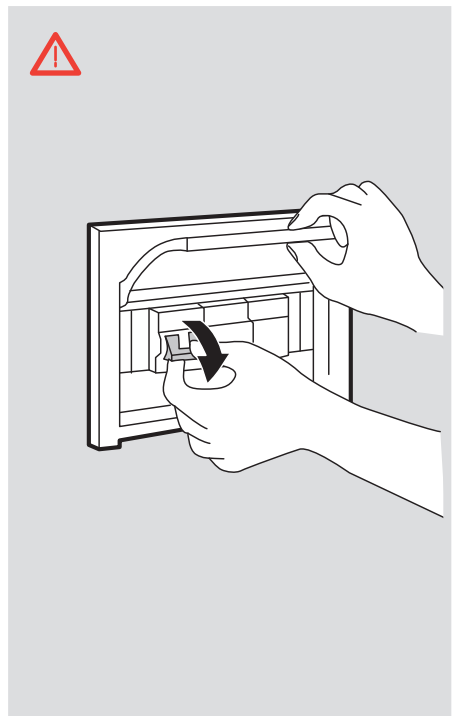
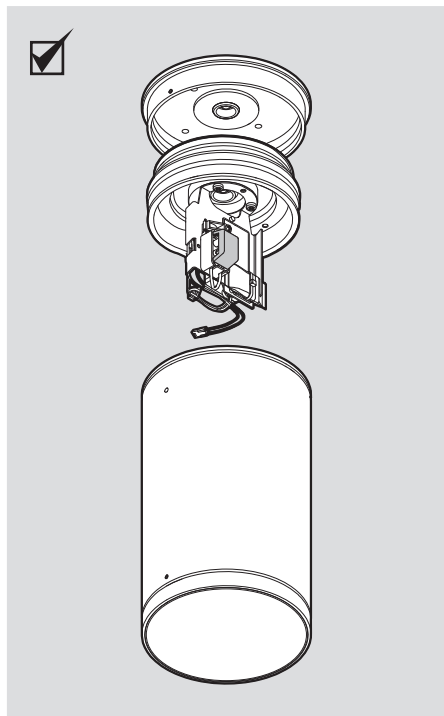
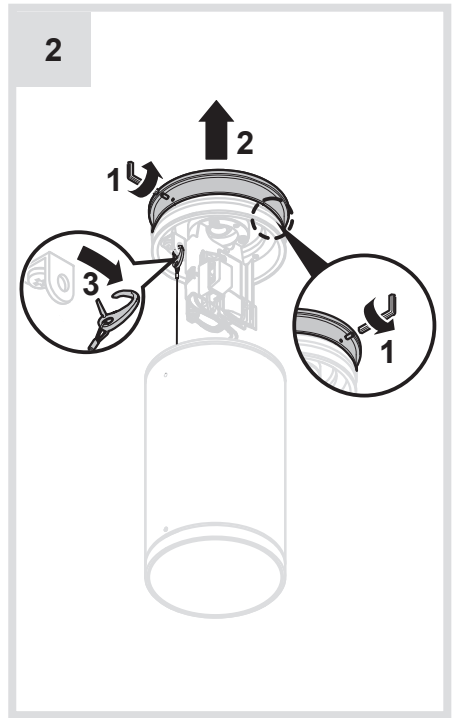
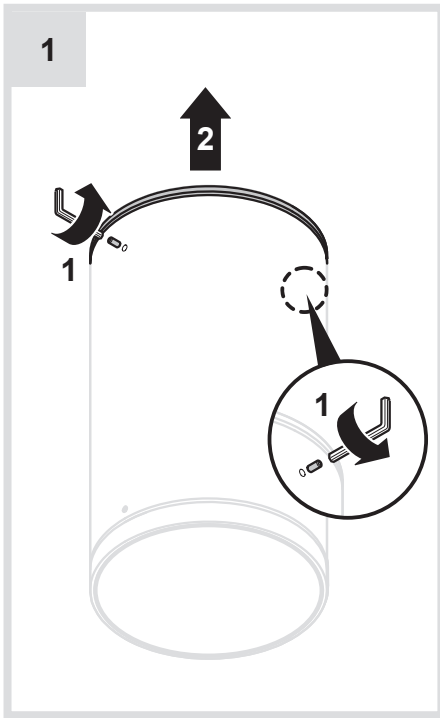


**Ø 80 mm**

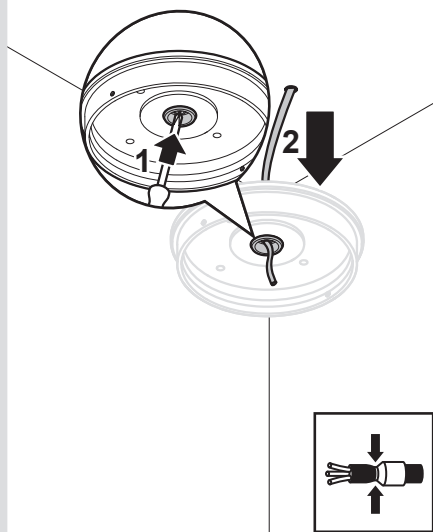
**IK09**



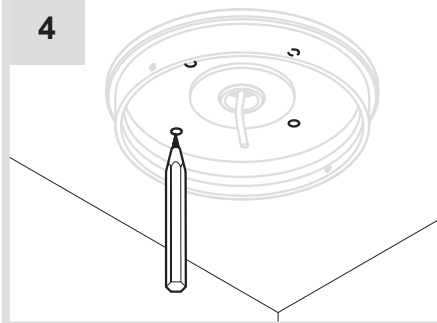
**Ø 130 mm**



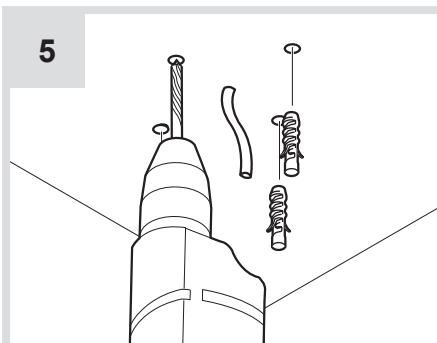
3



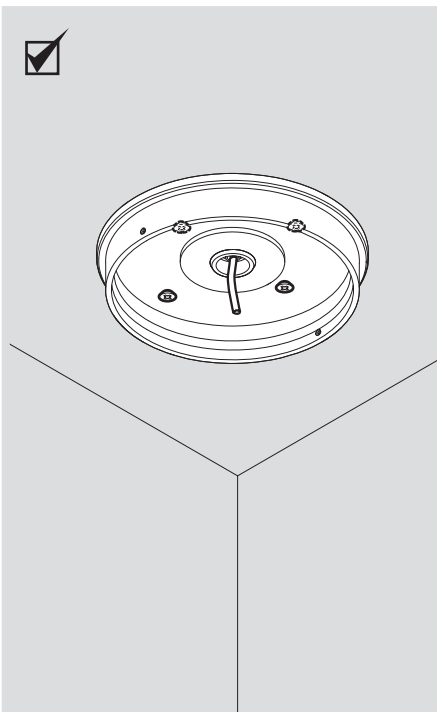
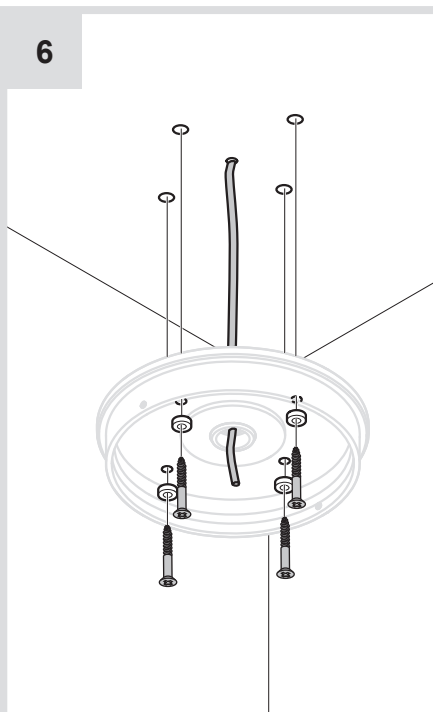
4

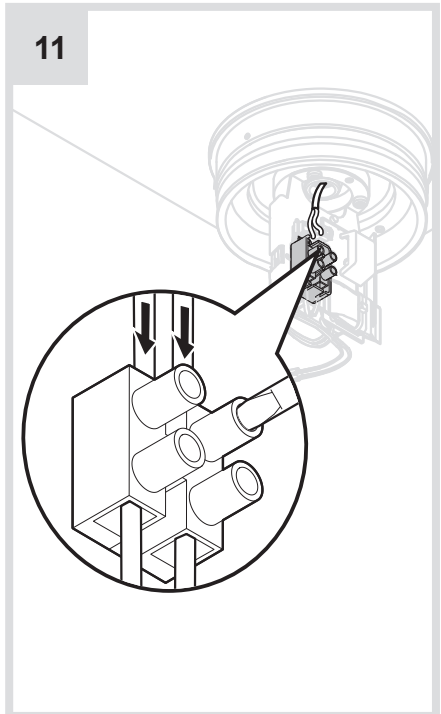
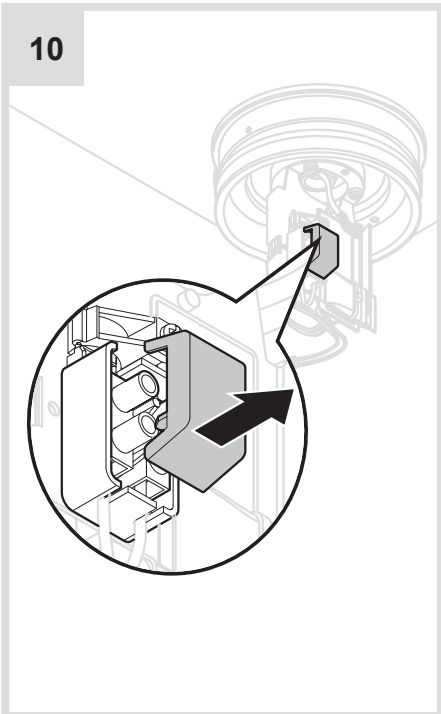
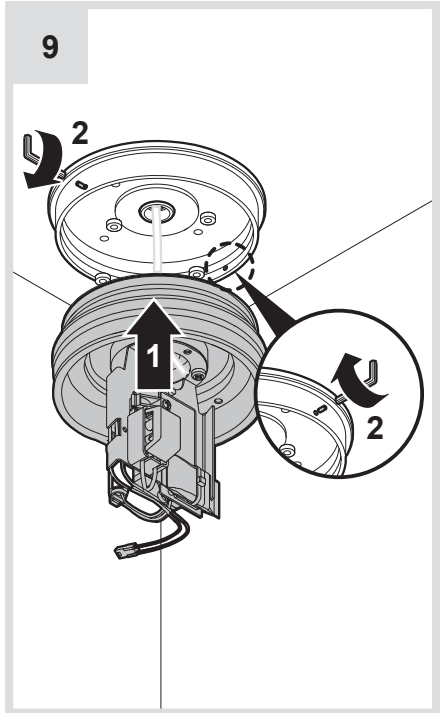
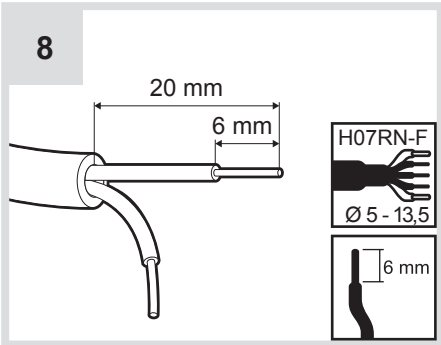
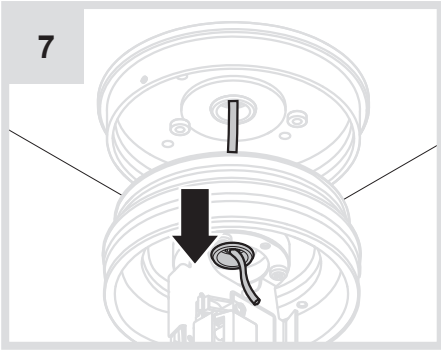


5

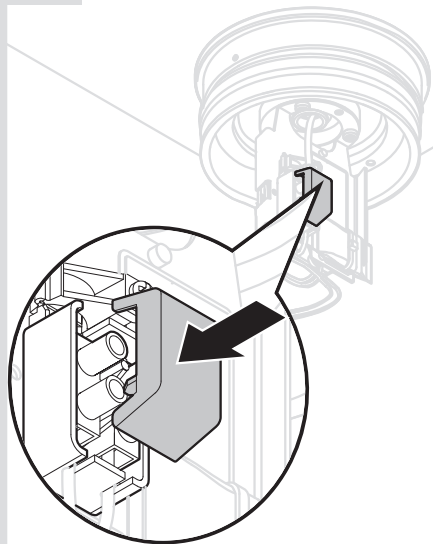


6

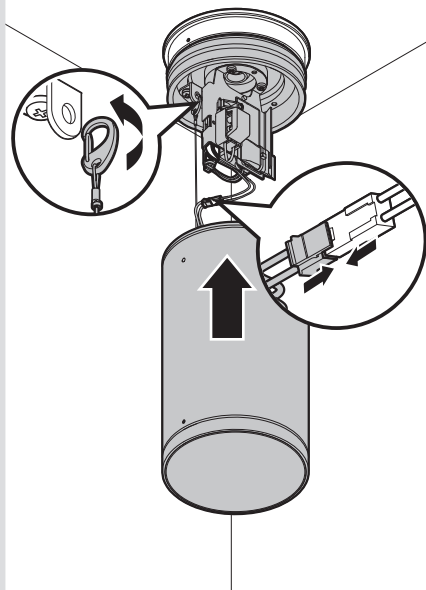




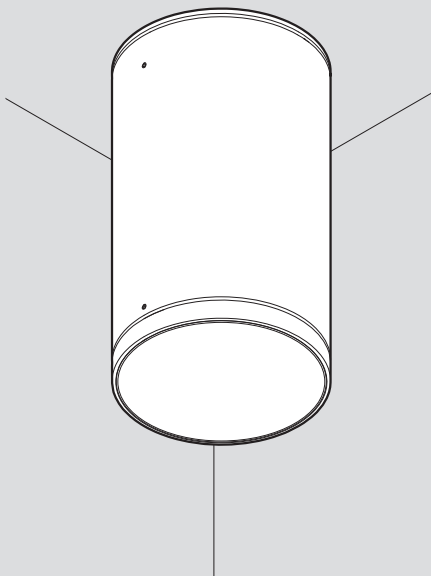
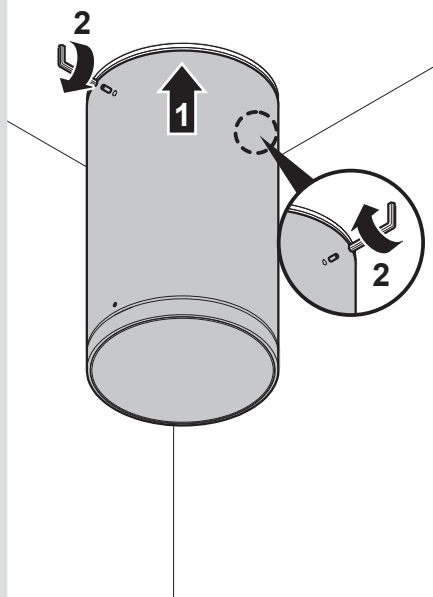
12



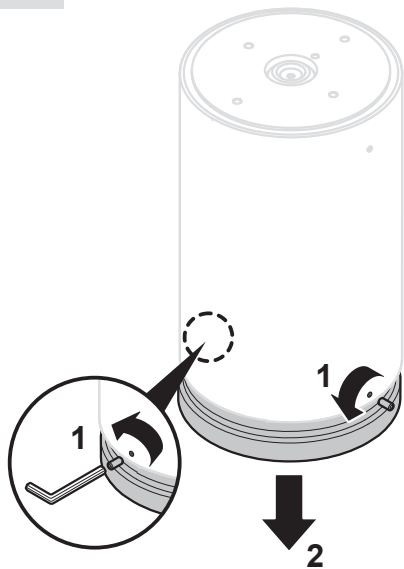
13



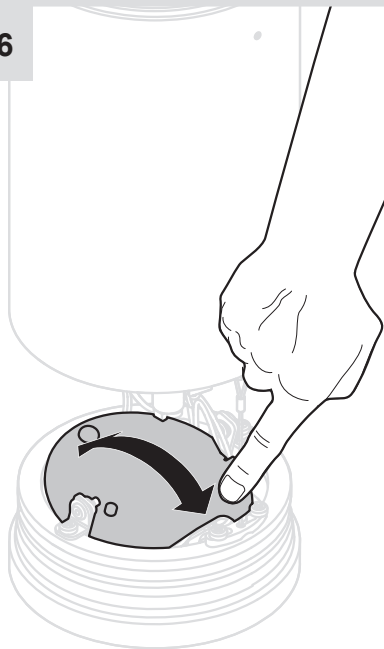
14



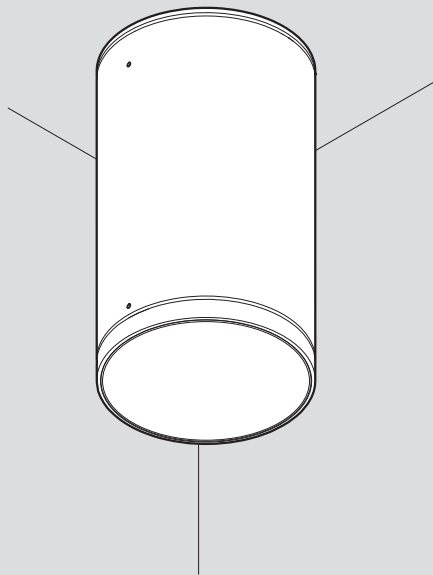
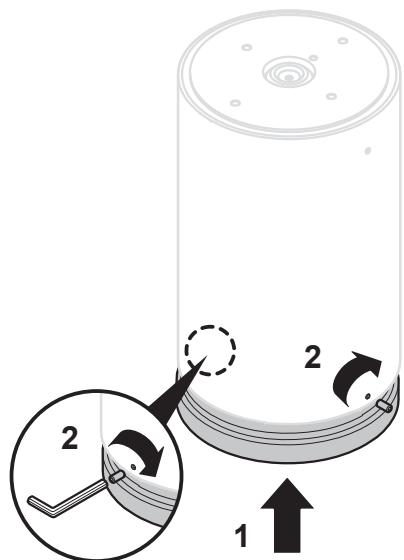
15



16



17

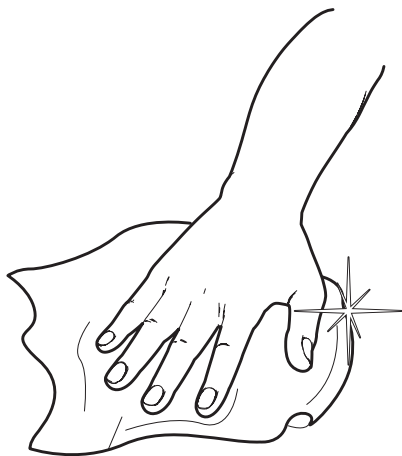




i



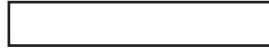
1







**Artemide®**



**Artemide**

via Bergamo, 18  
20010 Pregnana M.se (MI)  
ITALIA

tel. +39 02 935 181  
fax +39 02 935 90 254  
fax +39 02 935 90 496

[www.artemide.com](http://www.artemide.com)

VAT IT00846890150

cod. Y513000053