



Description

Nature and its life-giving beauty and strength serve as the model for a unique lighting concept called IVY. Just as the plant grows and climbs up the walls of a house, creating multiple images.

Tech. description

The main part of the light comprises a dural frame and glass shades over G4 fixtures. A rod connects the frame directly to the canopy, which houses the electronics. A touch dimmer is integrated into one side of the frame.



Colours options: https://brokis.sharepoint.com/:b:/s/brokis_sp/EelUP9rIUVBajJV-v0zX49QB-bDQfGpmYRrs8WUh3ltRjw

CONSTRUCTION SPECIFICATION

Weight:	1.7 kg
Construction material:	glass, metal
Cord length [mm]:	-
Mounting:	Wall
Environment:	Indoor

DIMENSIONS [mm]



296

ELECTRICAL SPECIFICATION

Input voltage [V]:	100 - 240 V
Frequency [Hz]:	50-60 Hz
Max. power [W]:	2 x 2 W LED
Coverage IP:	20
Socket:	G4, 12V
Light source:	-
Energy class:	A+ to B depending on light source

CERTIFICATIONS





CM6200

Socket	G4
Type	LED
Lamp wattage [W]	1.2 W
Input voltage [V]	12 VDC
Energy class	A+
Flux [lm]	91 lm
Light colour [K]	2700 K
CRI	90+
Lifespan [h]	20000h
Dimmable	yes
Dimensions h x w [mm]	10 x 28,4 mm

DATASHEET

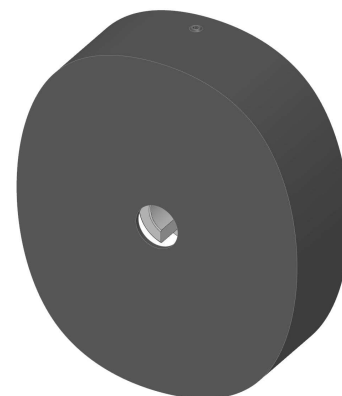
RECOMENDED CANOPY



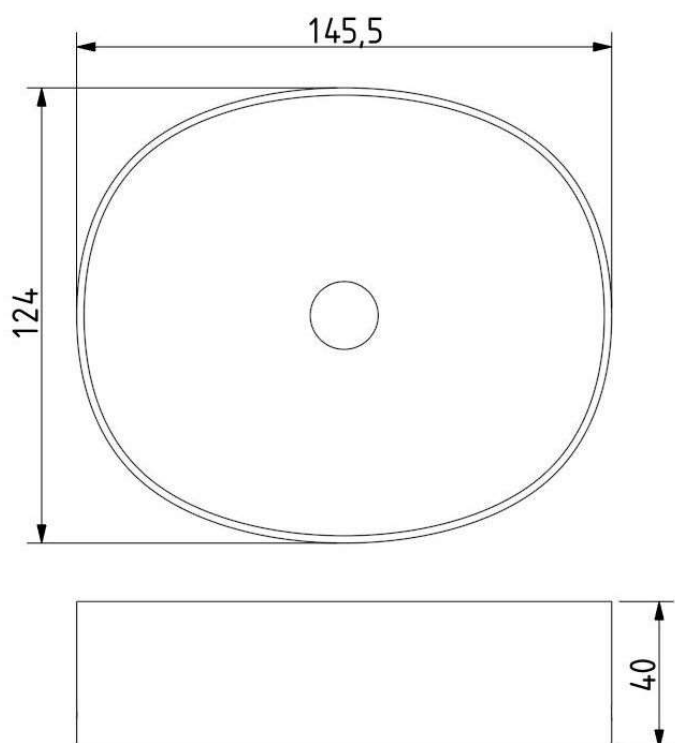
Download

CEILING CANOPY

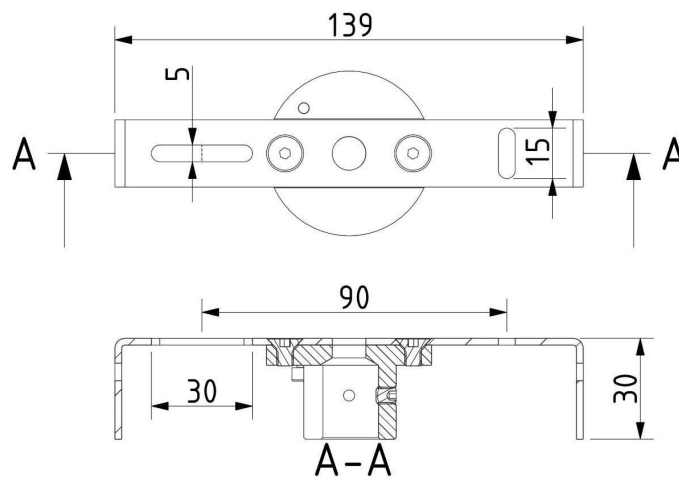
Dimensions l x w x h [mm]	145,5 x 124 x 40 mm
Weight [kg]	0,4 kg
Material	metal



Drawing



Canopy bracket





Description

Nature and its life-giving beauty and strength serve as the model for a unique lighting concept called IVY. Just as the plant grows and climbs up the walls of a house, creating multiple images.

Tech. description

The main part of the light comprises a dural frame and glass shades over G4 fixtures. A rod connects the frame directly to the canopy, which houses the electronics. A touch dimmer is integrated into one side of the frame.



Colours options: https://brokis.sharepoint.com/:b:/s/brokis_sp/EarVuwJSajdAipZMzQb1jQEBZvMGDoCiQW-oeTxCv26hIA

CONSTRUCTION SPECIFICATION

Weight:	2.5 kg
Construction material:	glass, metal
Cord length [mm]:	-
Mounting:	Wall
Environment:	Indoor

DIMENSIONS [mm]



355

ELECTRICAL SPECIFICATION

Input voltage [V]:	100 - 240 V
Frequency [Hz]:	50-60 Hz
Max. power [W]:	4 x 2 W LED
Coverage IP:	20
Socket:	G4, 12V
Light source:	-
Energy class:	A+ to B depending on light source

CERTIFICATIONS



BROKIS®

BROKIS S.R.O.
ŠPANILOVA 1315/25
163 00 PRAHA 6 - ŘEPY
CZECH REPUBLIC

ORG ID 64940799
VAT ID CZ64940799
C 42174 MĚSTSKÝ SOUD
V PRAZE

TEL +420 567 211 517
TECHNICAL@BROKIS.CZ
INFO@BROKIS.CZ
WWW.BROKIS.CZ

2020_09
PAGE 1



CM6200

Socket	G4
Type	LED
Lamp wattage [W]	1.2 W
Input voltage [V]	12 VDC
Energy class	A+
Flux [lm]	91 lm
Light colour [K]	2700 K
CRI	90+
Lifespan [h]	20000h
Dimmable	yes
Dimensions h x w [mm]	10 x 28,4 mm



DATASHEET

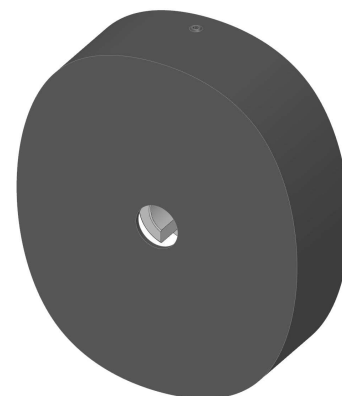
RECOMENDED CANOPY



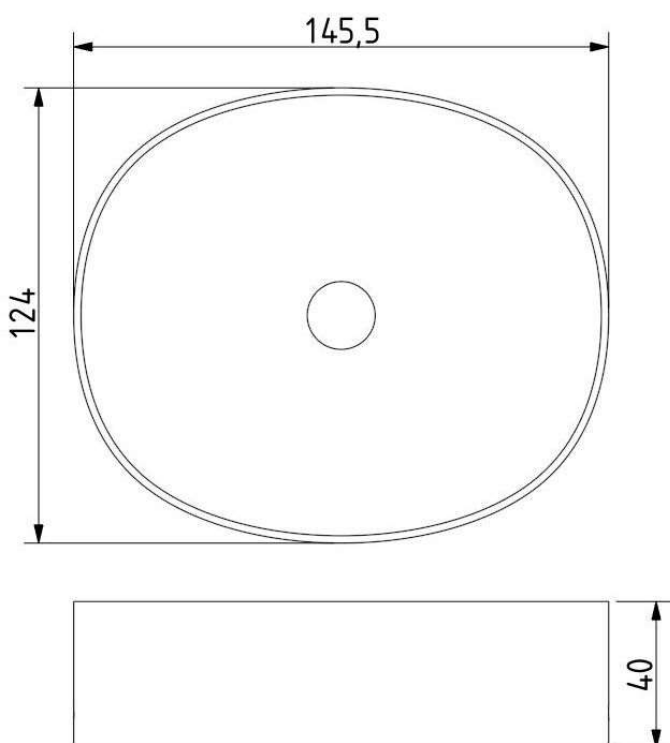
Download

CEILING CANOPY

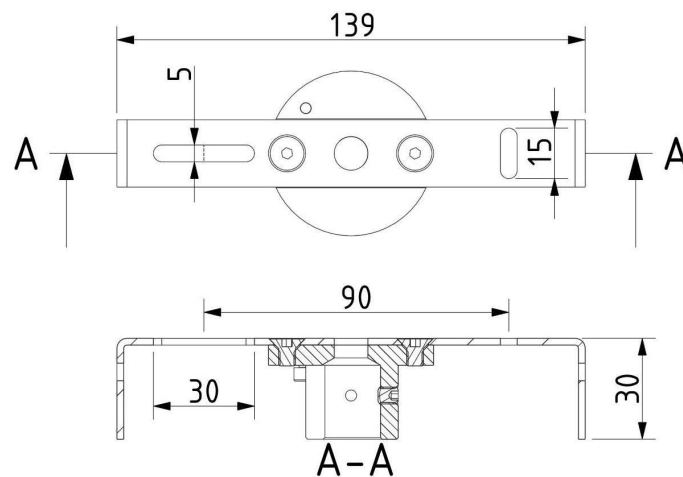
Dimensions l x w x h [mm]	145,5 x 124 x 40 mm
Weight [kg]	0,4 kg
Material	metal



Drawing



Canopy bracket





Description

Nature and its life-giving beauty and strength serve as the model for a unique lighting concept called IVY. Just as the plant grows and climbs up the walls of a house, creating multiple images.

Tech. description

The main part of the light comprises a dural frame and glass shades over G4 fixtures. A rod connects the frame directly to the canopy, which houses the electronics. A touch dimmer is integrated into one side of the frame.



Colours options: https://brokis.sharepoint.com/:b:/s/brokis_sp/EUhw75pnAGtJttVCENSr6y4B-v75_rkH9hGVKcBZe65FgA

CONSTRUCTION SPECIFICATION

Weight:	3.1 kg
Construction material:	glass, metal
Cord length [mm]:	-
Mounting:	Wall
Environment:	Indoor

DIMENSIONS [mm]



326

ELECTRICAL SPECIFICATION

Input voltage [V]:	100 - 240 V
Frequency [Hz]:	50-60 Hz
Max. power [W]:	5 x 2 W LED
Coverage IP:	20
Socket:	G4, 12V
Light source:	-
Energy class:	A+ to B depending on light source

CERTIFICATIONS



BROKIS®

BROKIS S.R.O.
ŠPANIĚLOVA 1315/25
163 00 PRAHA 6 - ŘEPY
CZECH REPUBLIC

ORG ID 64940799
VAT ID CZ64940799
C 42174 MĚSTSKÝ SOUD
V PRAZE

TEL +420 567 211 517
TECHNICAL@BROKIS.CZ
INFO@BROKIS.CZ
WWW.BROKIS.CZ

2020_09
PAGE 1



CM6200

Socket	G4
Type	LED
Lamp wattage [W]	1.2 W
Input voltage [V]	12 VDC
Energy class	A+
Flux [lm]	91 lm
Light colour [K]	2700 K
CRI	90+
Lifespan [h]	20000h
Dimmable	yes
Dimensions h x w [mm]	10 x 28,4 mm



DATASHEET

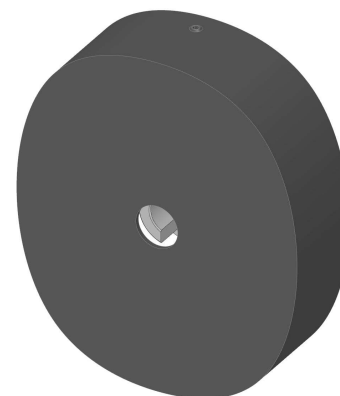
RECOMENDED CANOPY



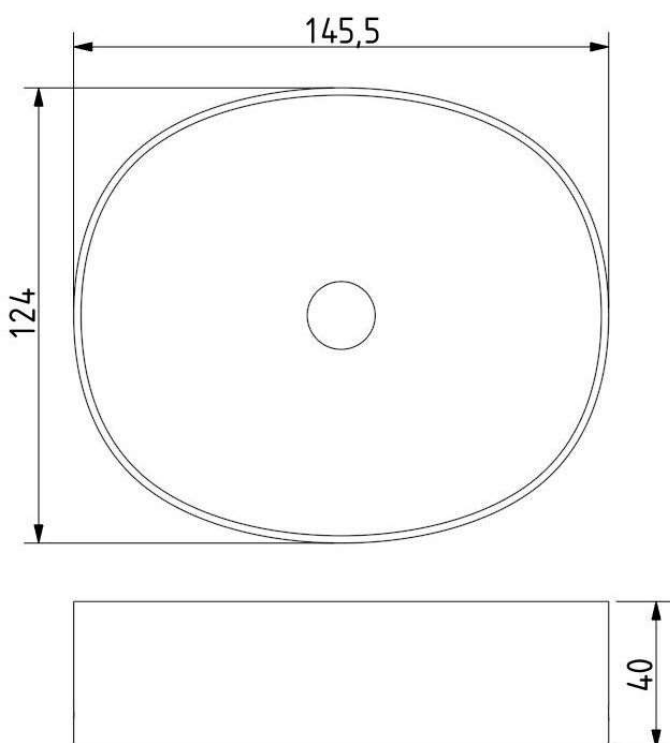
Download

CEILING CANOPY

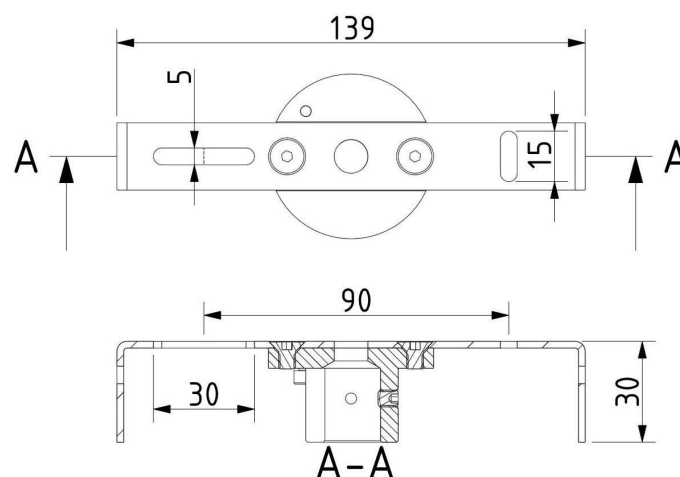
Dimensions l x w x h [mm]	145,5 x 124 x 40 mm
Weight [kg]	0,4 kg
Material	metal



Drawing



Canopy bracket





Description

Nature and its life-giving beauty and strength serve as the model for a unique lighting concept called IVY. Just as the plant grows and climbs up the walls of a house, creating multiple images.

Tech. description

The main part of the light comprises a dural frame and glass shades over G4 fixtures. A rod connects the frame directly to the canopy, which houses the electronics. A touch dimmer is integrated into one side of the frame.



Colours options: https://brokis.sharepoint.com/:b:/s/brokis_sp/EbFtIVhQ21dGiCLD_3WJZEkB-KmYxbyvyOAR4Yo57vQAK

CONSTRUCTION SPECIFICATION

Weight:	3.7 kg
Construction material:	glass, metal
Cord length [mm]:	-
Mounting:	Wall
Environment:	Indoor

DIMENSIONS [mm]



324

ELECTRICAL SPECIFICATION

Input voltage [V]:	100 - 240 V
Frequency [Hz]:	50-60 Hz
Max. power [W]:	6 x 2 W LED
Coverage IP:	20
Socket:	G4, 12V
Light source:	-
Energy class:	A+ to B depending on light source

CERTIFICATIONS





CM6200

Socket	G4
Type	LED
Lamp wattage [W]	1.2 W
Input voltage [V]	12 VDC
Energy class	A+
Flux [lm]	91 lm
Light colour [K]	2700 K
CRI	90+
Lifespan [h]	20000h
Dimmable	yes
Dimensions h x w [mm]	10 x 28,4 mm

DATASHEET

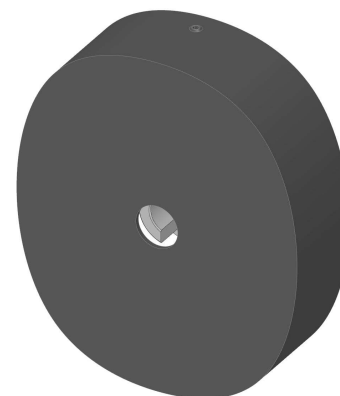
RECOMENDED CANOPY



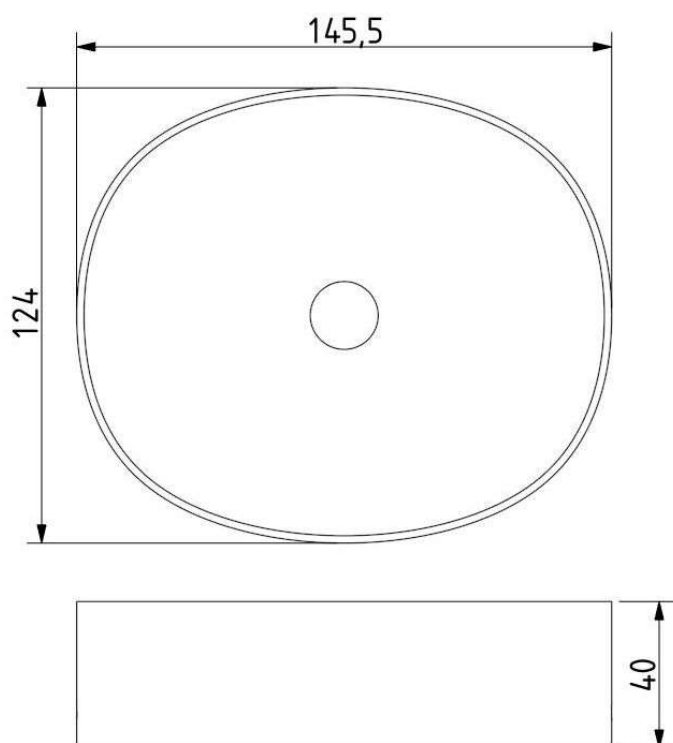
Download

CEILING CANOPY

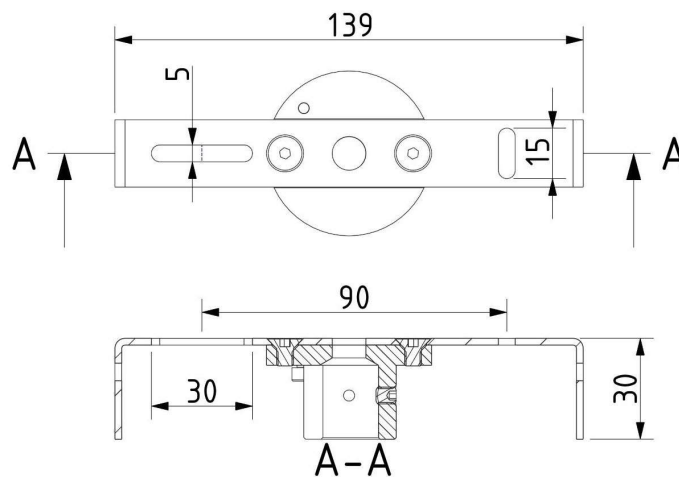
Dimensions l x w x h [mm]	145,5 x 124 x 40 mm
Weight [kg]	0,4 kg
Material	metal



Drawing



Canopy bracket





Description

Nature and its life-giving beauty and strength serve as the model for a unique lighting concept called IVY. Just as the plant grows and climbs up the walls of a house, creating multiple images.

Tech. description

The main part of the light comprises a dural frame and glass shades over G4 fixtures. A rod connects the frame directly to the canopy, which houses the electronics. A touch dimmer is integrated into one side of the frame.



Colours options: https://brokis.sharepoint.com/:b:/s/brokis_sp/EdQoIUQh9OJGhmoimbVtRC0BAm6VEP2_YQsTLVke7XD

CONSTRUCTION SPECIFICATION

Weight:	4.3 kg
Construction material:	glass, metal
Cord length [mm]:	-
Mounting:	Wall
Environment:	Indoor

DIMENSIONS [mm]



ELECTRICAL SPECIFICATION

Input voltage [V]:	100 - 240 V
Frequency [Hz]:	50-60 Hz
Max. power [W]:	7 x 2 W LED
Coverage IP:	20
Socket:	G4, 12V
Light source:	-
Energy class:	A+ to B depending on light source

CERTIFICATIONS





CM6200

Socket	G4
Type	LED
Lamp wattage [W]	1.2 W
Input voltage [V]	12 VDC
Energy class	A+
Flux [lm]	91 lm
Light colour [K]	2700 K
CRI	90+
Lifespan [h]	20000h
Dimmable	yes
Dimensions h x w [mm]	10 x 28,4 mm



DATASHEET

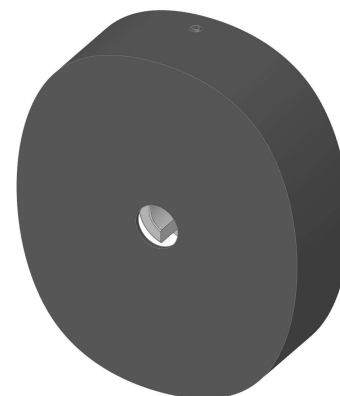
RECOMENDED CANOPY



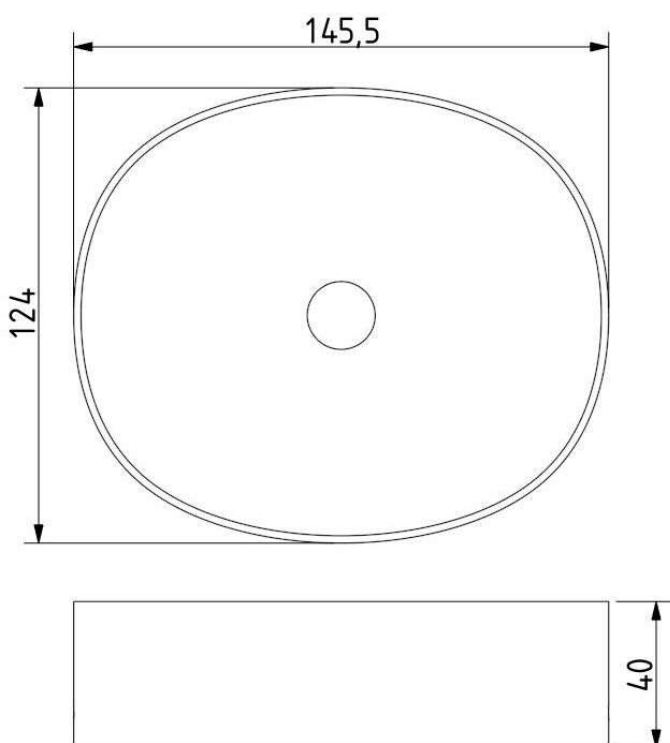
Download

CEILING CANOPY

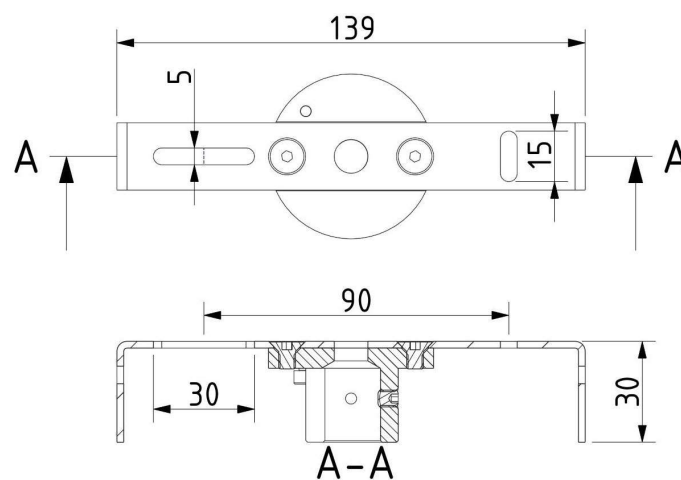
Dimensions l x w x h [mm]	145,5 x 124 x 40 mm
Weight [kg]	0,4 kg
Material	metal



Drawing



Canopy bracket





Description

Nature and its life-giving beauty and strength serve as the model for a unique lighting concept called IVY. Just as the plant grows and climbs up the walls of a house, creating multiple images.

Tech. description

The main part of the light comprises a dural frame and glass shades over G4 fixtures. A rod connects the frame directly to the canopy, which houses the electronics. A touch dimmer is integrated into one side of the frame.

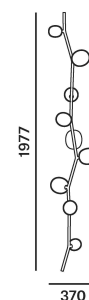


Colours options: https://brokis.sharepoint.com/:b:/s/brokis_sp/EaeJbyONP4RNs805VF1n3m8BG8VVCKKjdt3GEYSJvbqn

CONSTRUCTION SPECIFICATION

Weight:	4.9 kg
Construction material:	glass, metal
Cord length [mm]:	-
Mounting:	Wall
Environment:	Indoor

DIMENSIONS [mm]



ELECTRICAL SPECIFICATION

Input voltage [V]:	100 - 240 V
Frequency [Hz]:	50-60 Hz
Max. power [W]:	8 x 2 W LED
Coverage IP:	20
Socket:	G4, 12V
Light source:	-
Energy class:	A+ to B depending on light source

CERTIFICATIONS





CM6200

Socket	G4
Type	LED
Lamp wattage [W]	1.2 W
Input voltage [V]	12 VDC
Energy class	A+
Flux [lm]	91 lm
Light colour [K]	2700 K
CRI	90+
Lifespan [h]	20000h
Dimmable	yes
Dimensions h x w [mm]	10 x 28,4 mm



DATASHEET

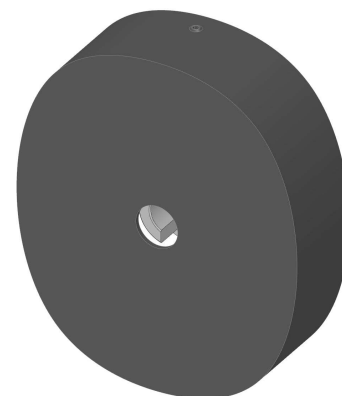
RECOMENDED CANOPY



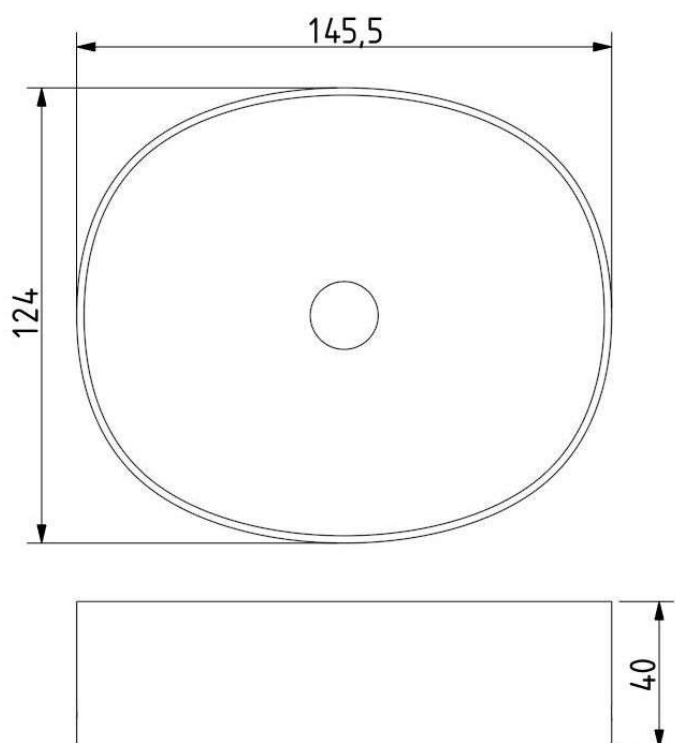
Download

CEILING CANOPY

Dimensions l x w x h [mm]	145,5 x 124 x 40 mm
Weight [kg]	0,4 kg
Material	metal



Drawing



Canopy bracket

